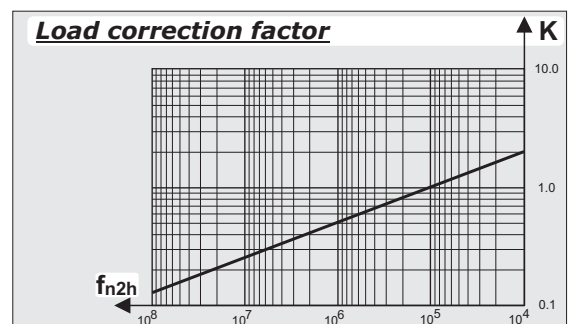
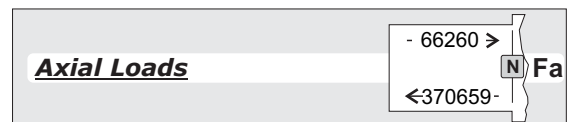
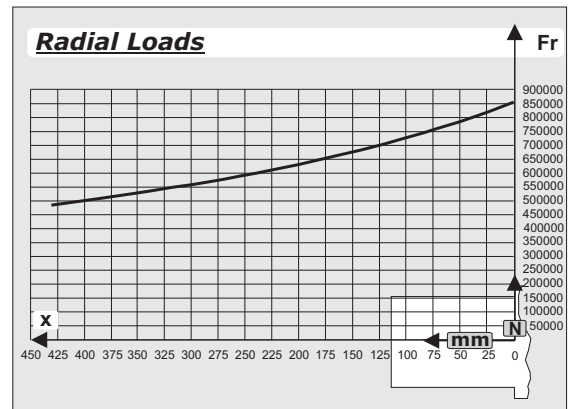
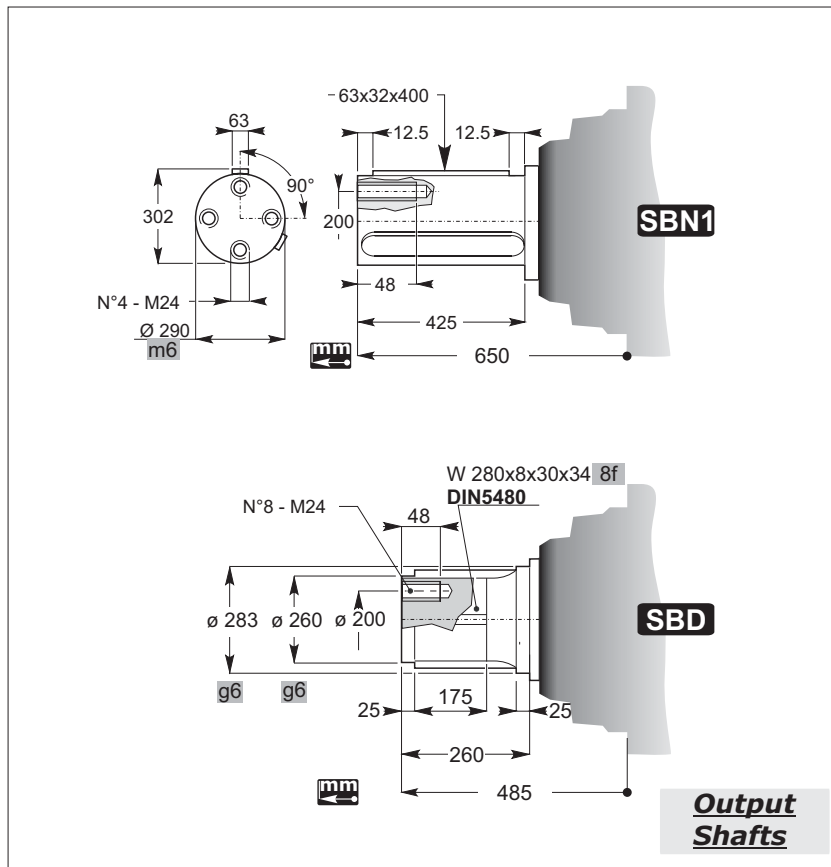
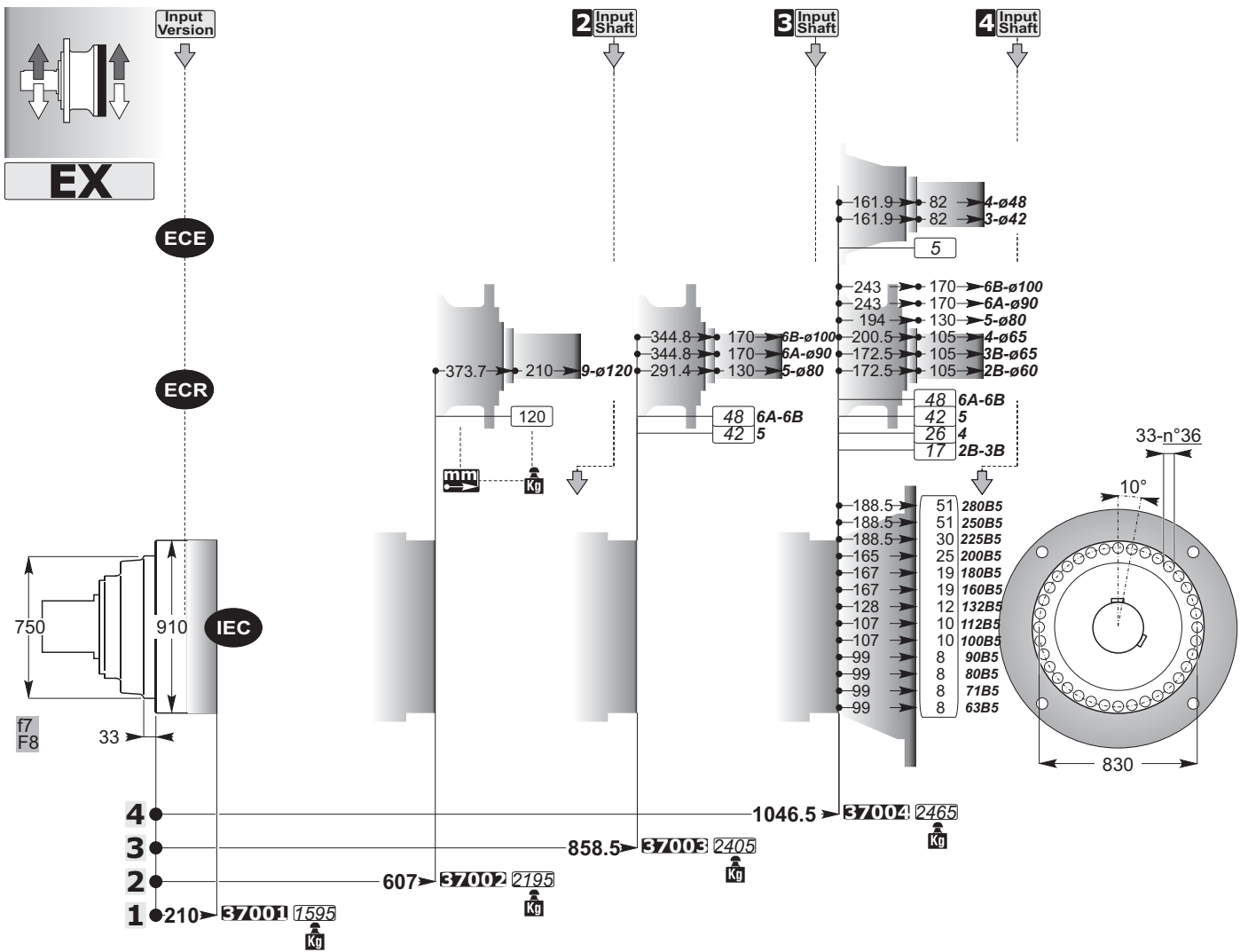


EXB

non disponibile
not available
nicht verfügbar

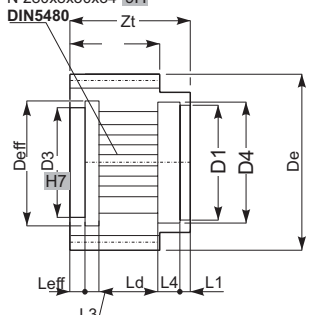
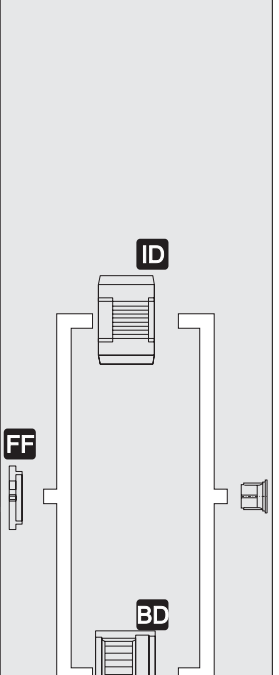
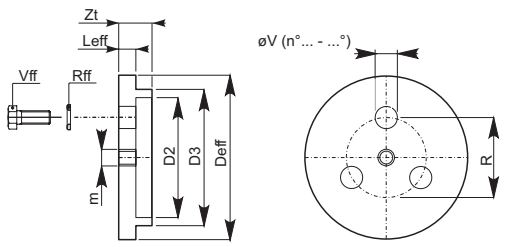
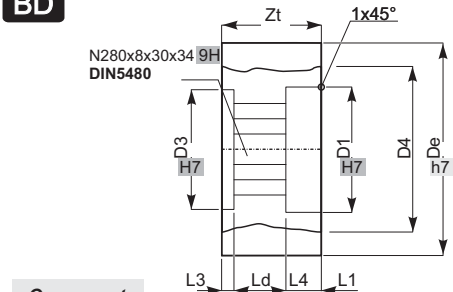
	<p>ID</p> <p>N 280x8x30x34 9H DIN5480</p> <table border="1" data-bbox="997 1332 1220 1646"> <thead> <tr> <th>ID</th> <th>m</th> <th>Z</th> <th>X</th> <th>De</th> </tr> </thead> <tbody> <tr><td>-</td><td>-</td><td>-</td><td>-</td><td>-</td></tr> <tr><td>-</td><td>-</td><td>-</td><td>-</td><td>-</td></tr> <tr><td>-</td><td>-</td><td>-</td><td>-</td><td>-</td></tr> <tr><td>-</td><td>-</td><td>-</td><td>-</td><td>-</td></tr> <tr><td>-</td><td>-</td><td>-</td><td>-</td><td>-</td></tr> <tr><td>-</td><td>-</td><td>-</td><td>-</td><td>-</td></tr> <tr><td>-</td><td>-</td><td>-</td><td>-</td><td>-</td></tr> <tr><td>-</td><td>-</td><td>-</td><td>-</td><td>-</td></tr> <tr><td>-</td><td>-</td><td>-</td><td>-</td><td>-</td></tr> <tr><td>-</td><td>-</td><td>-</td><td>-</td><td>-</td></tr> <tr><td>-</td><td>-</td><td>-</td><td>-</td><td>-</td></tr> <tr><td>-</td><td>-</td><td>-</td><td>-</td><td>-</td></tr> <tr><td>-</td><td>-</td><td>-</td><td>-</td><td>-</td></tr> <tr><td>-</td><td>-</td><td>-</td><td>-</td><td>-</td></tr> <tr><td>-</td><td>-</td><td>-</td><td>-</td><td>-</td></tr> <tr><td>-</td><td>-</td><td>-</td><td>-</td><td>-</td></tr> <tr><td>-</td><td>-</td><td>-</td><td>-</td><td>-</td></tr> <tr><td>-</td><td>-</td><td>-</td><td>-</td><td>-</td></tr> <tr><td>-</td><td>-</td><td>-</td><td>-</td><td>-</td></tr> <tr><td>-</td><td>-</td><td>-</td><td>-</td><td>-</td></tr> <tr><td>-</td><td>-</td><td>-</td><td>-</td><td>-</td></tr> <tr><td>-</td><td>-</td><td>-</td><td>-</td><td>-</td></tr> </tbody> </table> <p><i>On request</i></p>	ID	m	Z	X	De	-	-	-	-	-	-	-	-	-	-	-	-	-	-	-	-	-	-	-	-	-	-	-	-	-	-	-	-	-	-	-	-	-	-	-	-	-	-	-	-	-	-	-	-	-	-	-	-	-	-	-	-	-	-	-	-	-	-	-	-	-	-	-	-	-	-	-	-	-	-	-	-	-	-	-	-	-	-	-	-	-	-	-	-	-	-	-	-	-	-	-	-	-	-	-	-	-	-	-	-	-	-	-	-	-	-	-	-	-	-	<p>Accessories</p>
ID	m	Z	X	De																																																																																																																	
-	-	-	-	-																																																																																																																	
-	-	-	-	-																																																																																																																	
-	-	-	-	-																																																																																																																	
-	-	-	-	-																																																																																																																	
-	-	-	-	-																																																																																																																	
-	-	-	-	-																																																																																																																	
-	-	-	-	-																																																																																																																	
-	-	-	-	-																																																																																																																	
-	-	-	-	-																																																																																																																	
-	-	-	-	-																																																																																																																	
-	-	-	-	-																																																																																																																	
-	-	-	-	-																																																																																																																	
-	-	-	-	-																																																																																																																	
-	-	-	-	-																																																																																																																	
-	-	-	-	-																																																																																																																	
-	-	-	-	-																																																																																																																	
-	-	-	-	-																																																																																																																	
-	-	-	-	-																																																																																																																	
-	-	-	-	-																																																																																																																	
-	-	-	-	-																																																																																																																	
-	-	-	-	-																																																																																																																	
-	-	-	-	-																																																																																																																	
<p>FF</p> <p><i>On request</i></p>	<p>BD</p> <p>N 280x8x30x34 9H DIN5480</p> <p><i>On request</i></p>																																																																																																																				

mm
C

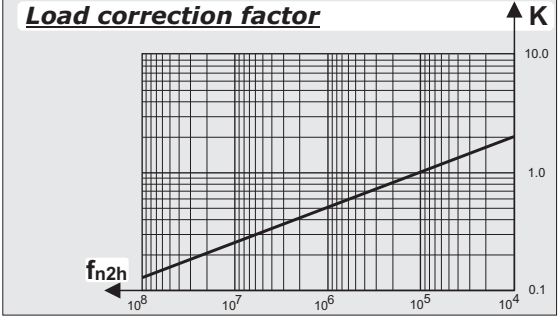
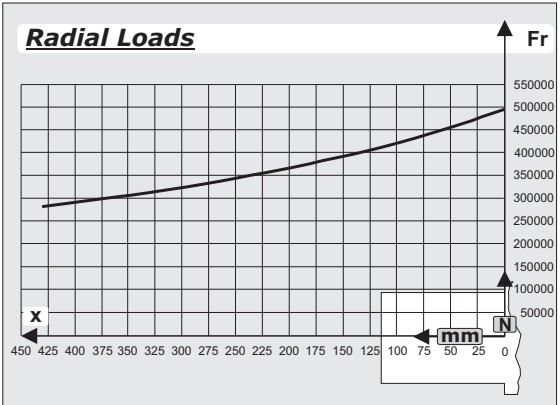
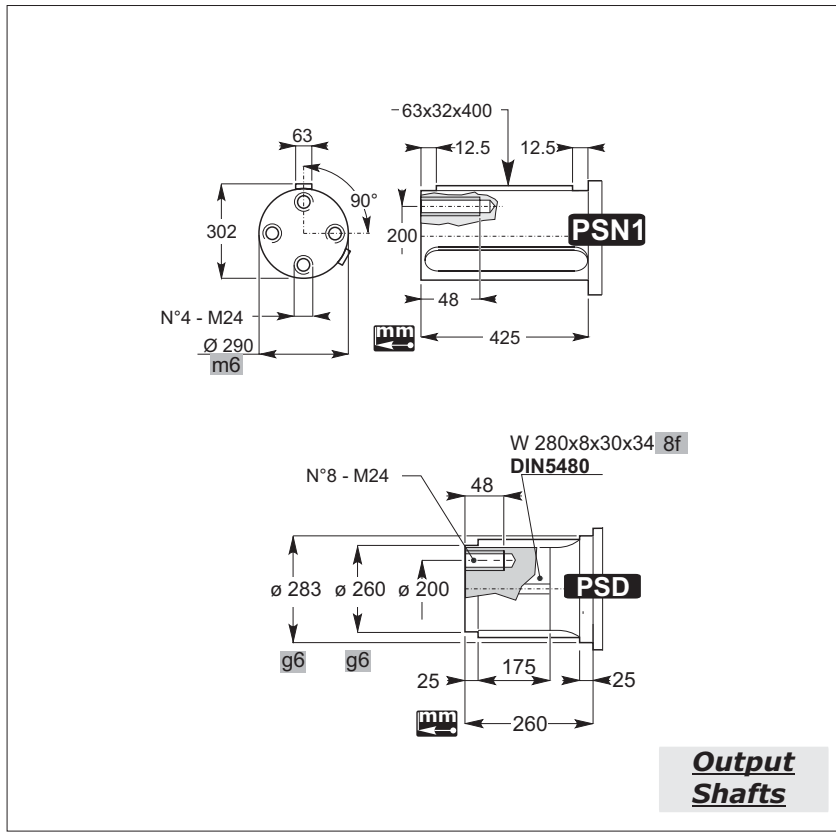
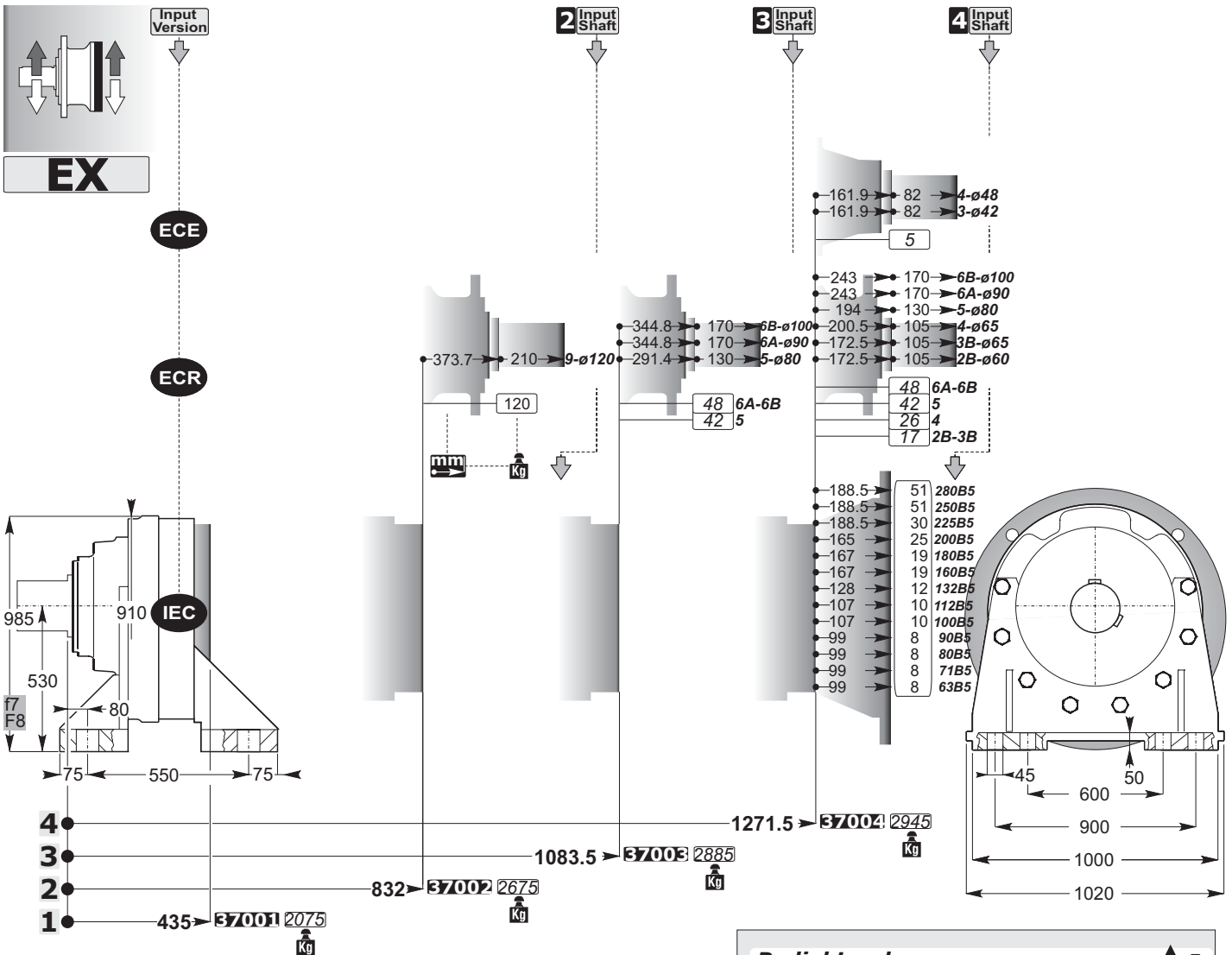


EXB

non disponibile
not available
nicht verfügbar

	<p>ID</p> <p>N 280x8x30x34 9H DIN5480</p>  <table border="1" data-bbox="997 1321 1220 1635"> <thead> <tr> <th>ID</th> <th>m</th> <th>Z</th> <th>X</th> <th>De</th> </tr> </thead> <tbody> <tr><td>-</td><td>-</td><td>-</td><td>-</td><td>-</td></tr> <tr><td>-</td><td>-</td><td>-</td><td>-</td><td>-</td></tr> <tr><td>-</td><td>-</td><td>-</td><td>-</td><td>-</td></tr> <tr><td>-</td><td>-</td><td>-</td><td>-</td><td>-</td></tr> <tr><td>-</td><td>-</td><td>-</td><td>-</td><td>-</td></tr> <tr><td>-</td><td>-</td><td>-</td><td>-</td><td>-</td></tr> <tr><td>-</td><td>-</td><td>-</td><td>-</td><td>-</td></tr> <tr><td>-</td><td>-</td><td>-</td><td>-</td><td>-</td></tr> <tr><td>-</td><td>-</td><td>-</td><td>-</td><td>-</td></tr> <tr><td>-</td><td>-</td><td>-</td><td>-</td><td>-</td></tr> <tr><td>-</td><td>-</td><td>-</td><td>-</td><td>-</td></tr> </tbody> </table> <p>On request</p>	ID	m	Z	X	De	-	-	-	-	-	-	-	-	-	-	-	-	-	-	-	-	-	-	-	-	-	-	-	-	-	-	-	-	-	-	-	-	-	-	-	-	-	-	-	-	-	-	-	-	-	-	-	-	-	-	-	-	-	-	-	 <p>Accessories</p>
ID	m	Z	X	De																																																										
-	-	-	-	-																																																										
-	-	-	-	-																																																										
-	-	-	-	-																																																										
-	-	-	-	-																																																										
-	-	-	-	-																																																										
-	-	-	-	-																																																										
-	-	-	-	-																																																										
-	-	-	-	-																																																										
-	-	-	-	-																																																										
-	-	-	-	-																																																										
-	-	-	-	-																																																										
<p>FF</p>  <p>On request</p>	<p>BD</p> <p>N280x8x30x34 9H DIN5480</p>  <p>On request</p>																																																													





EXB

**non disponibile
not available
nicht verfügbar**

ID

N 280x8x30x34 9H
DIN5480

ID	m	Z	X	De
	-	-	-	-

On request

FF

On request

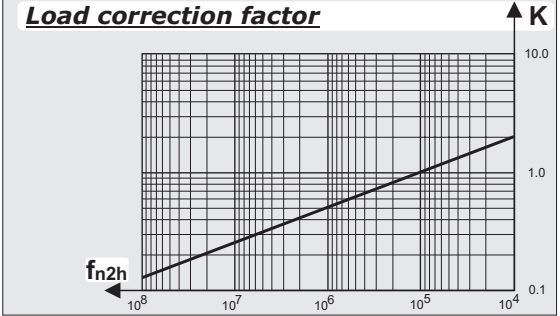
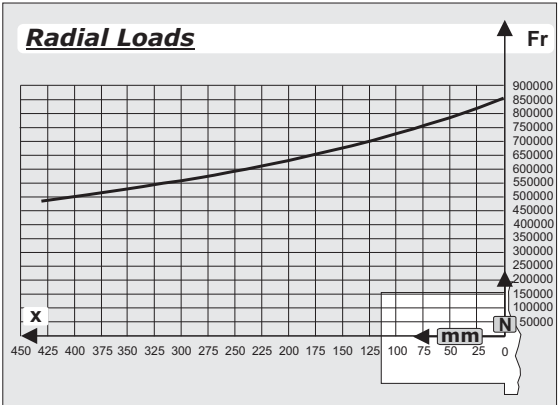
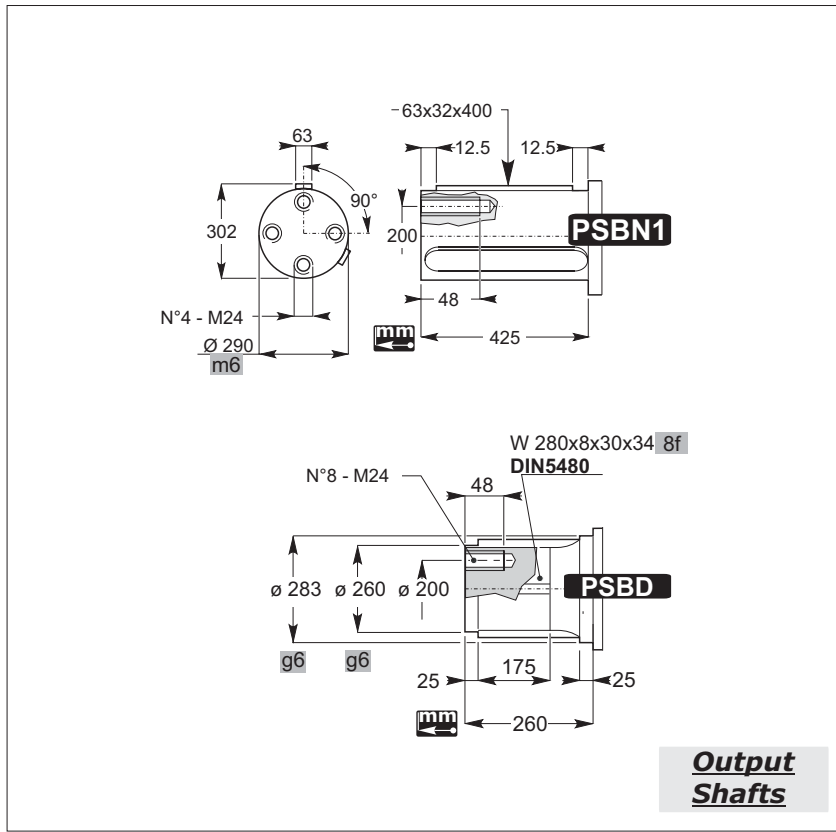
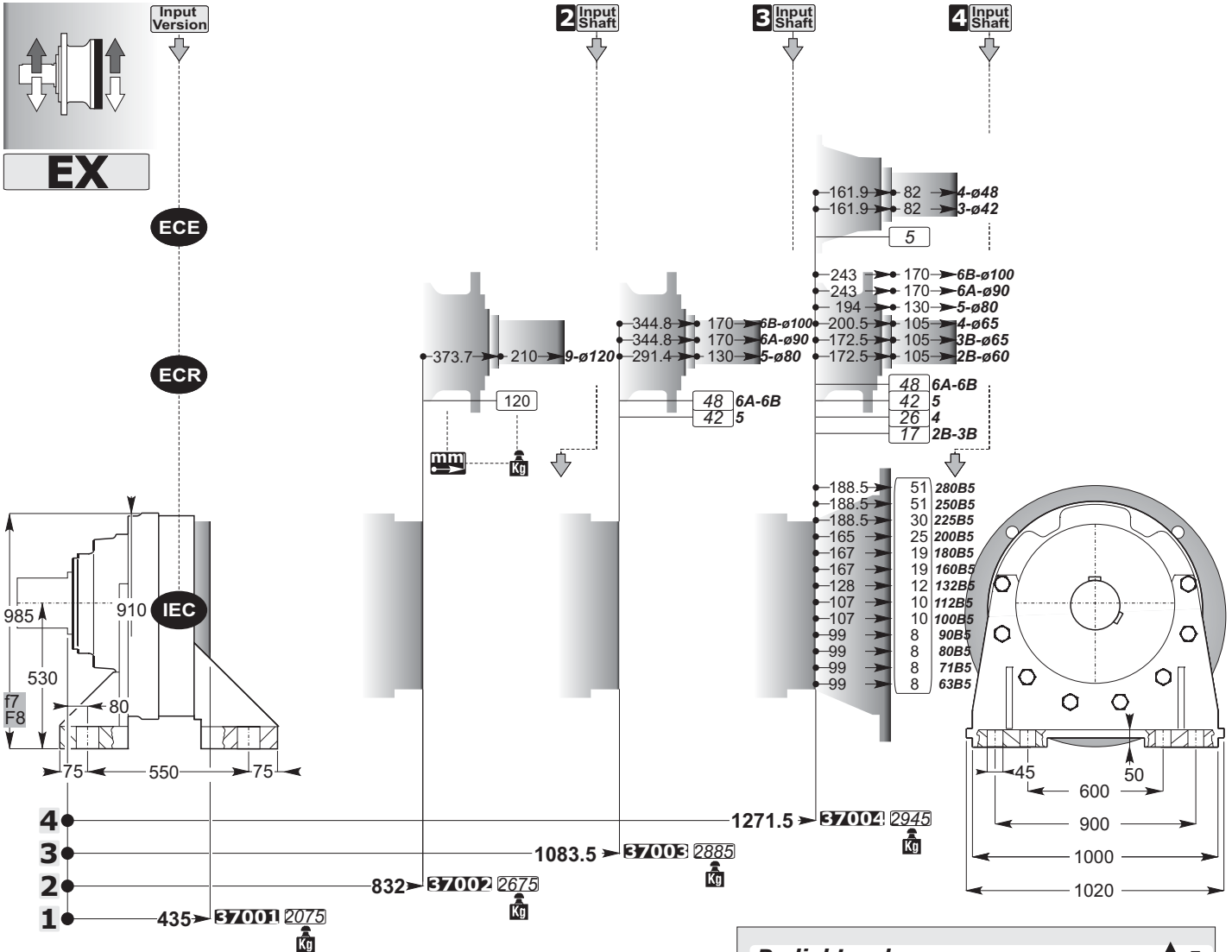
BD

N280x8x30x34 9H
DIN5480

On request

Accessories





EXB

non disponibile
not available
nicht verfügbar

ID

N 280x8x30x34 9H
DIN5480

ID	m	Z	X	De

On request

BD

N280x8x30x34 9H
DIN5480

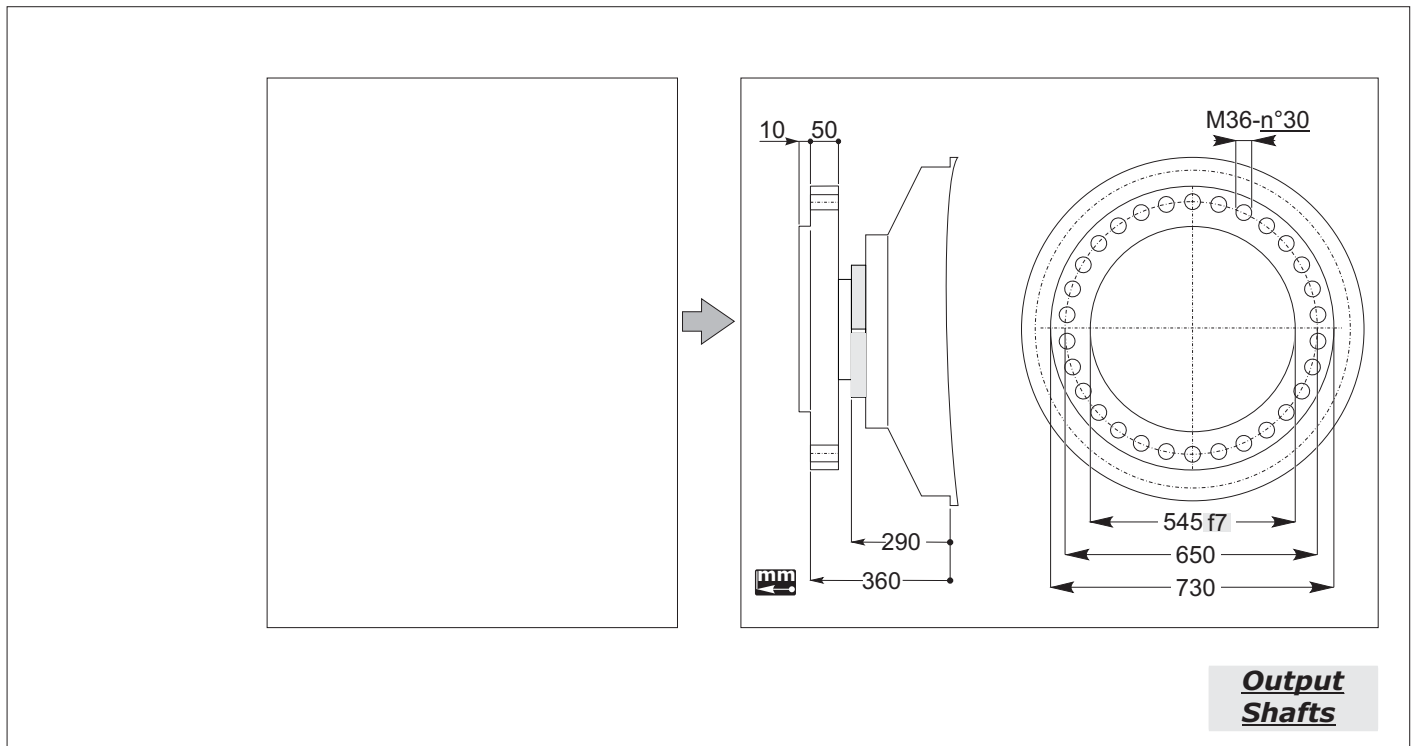
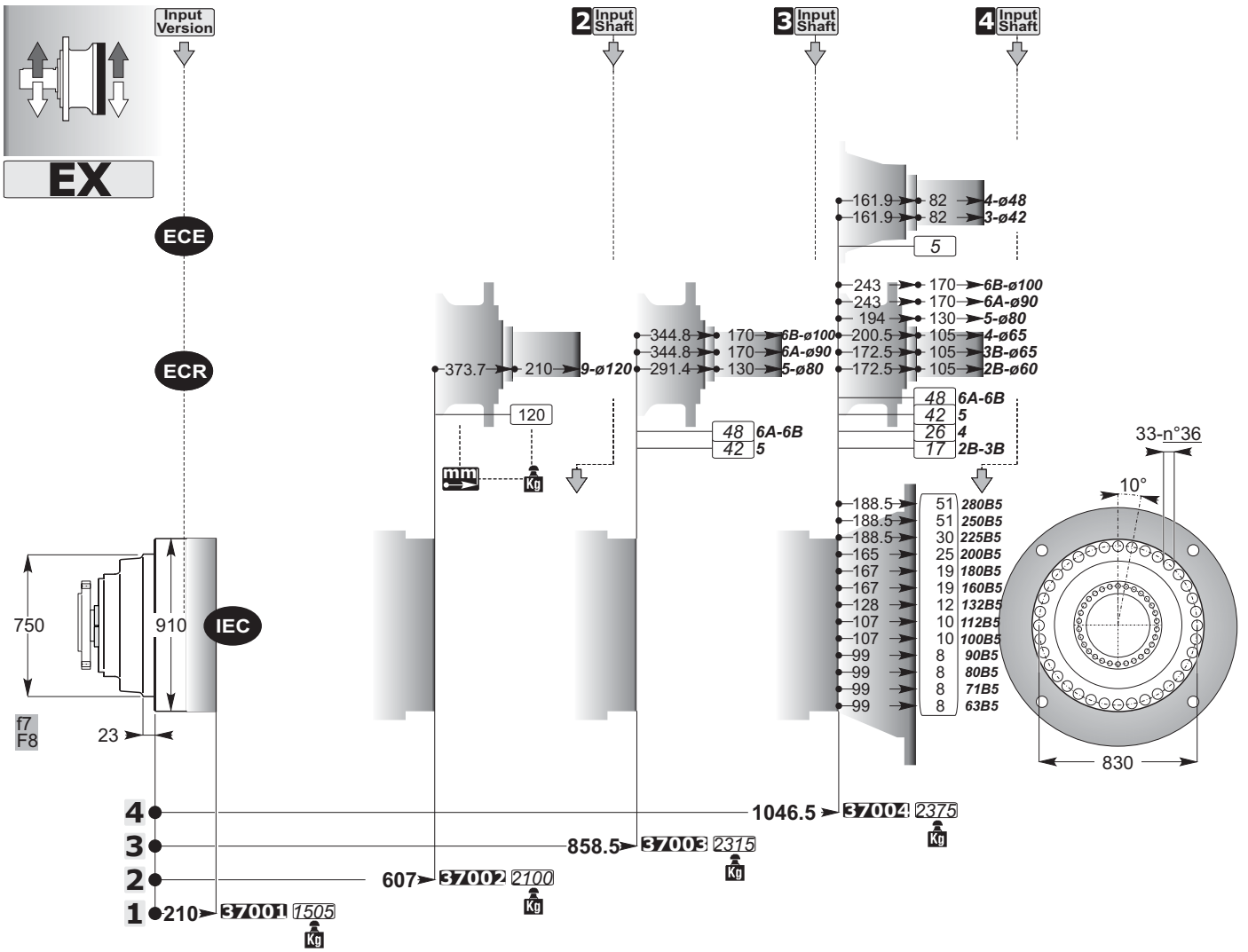
On request

FF

On request

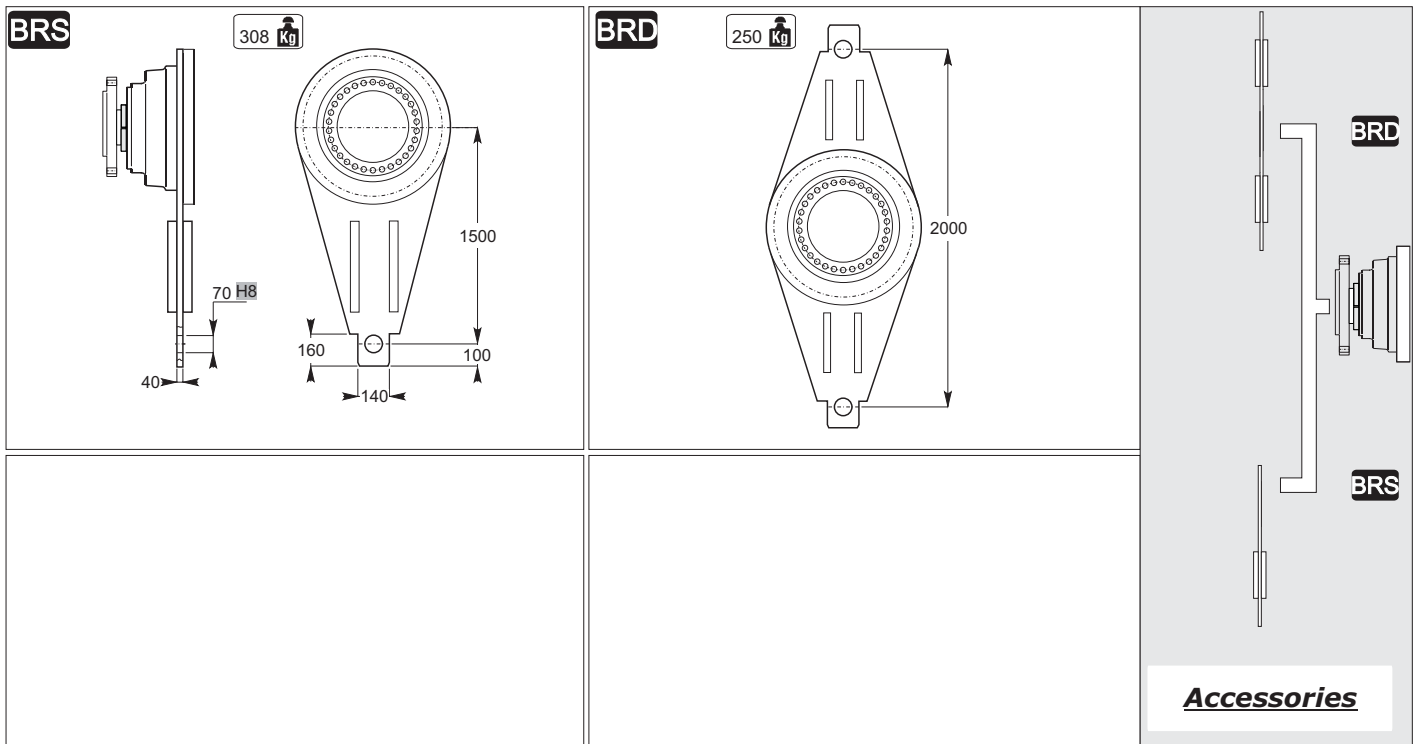
Accessories

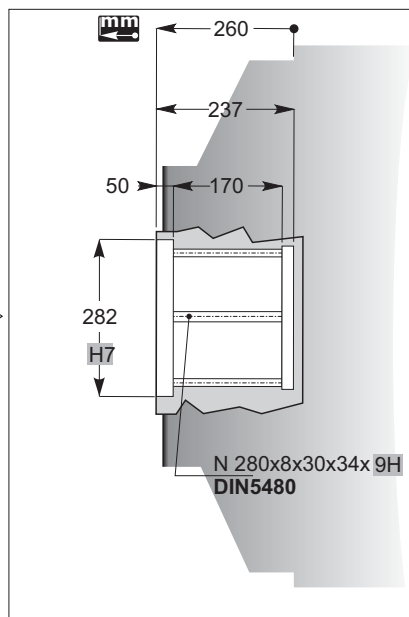
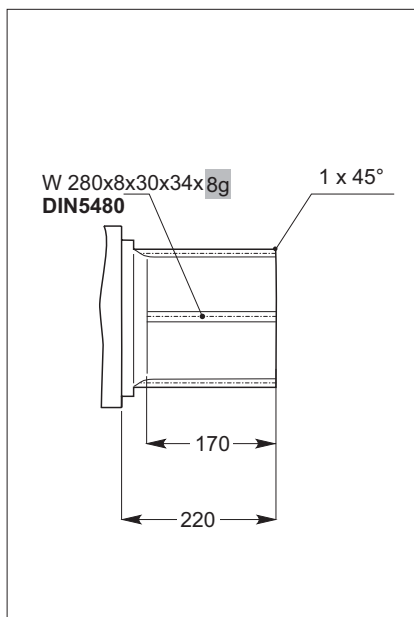
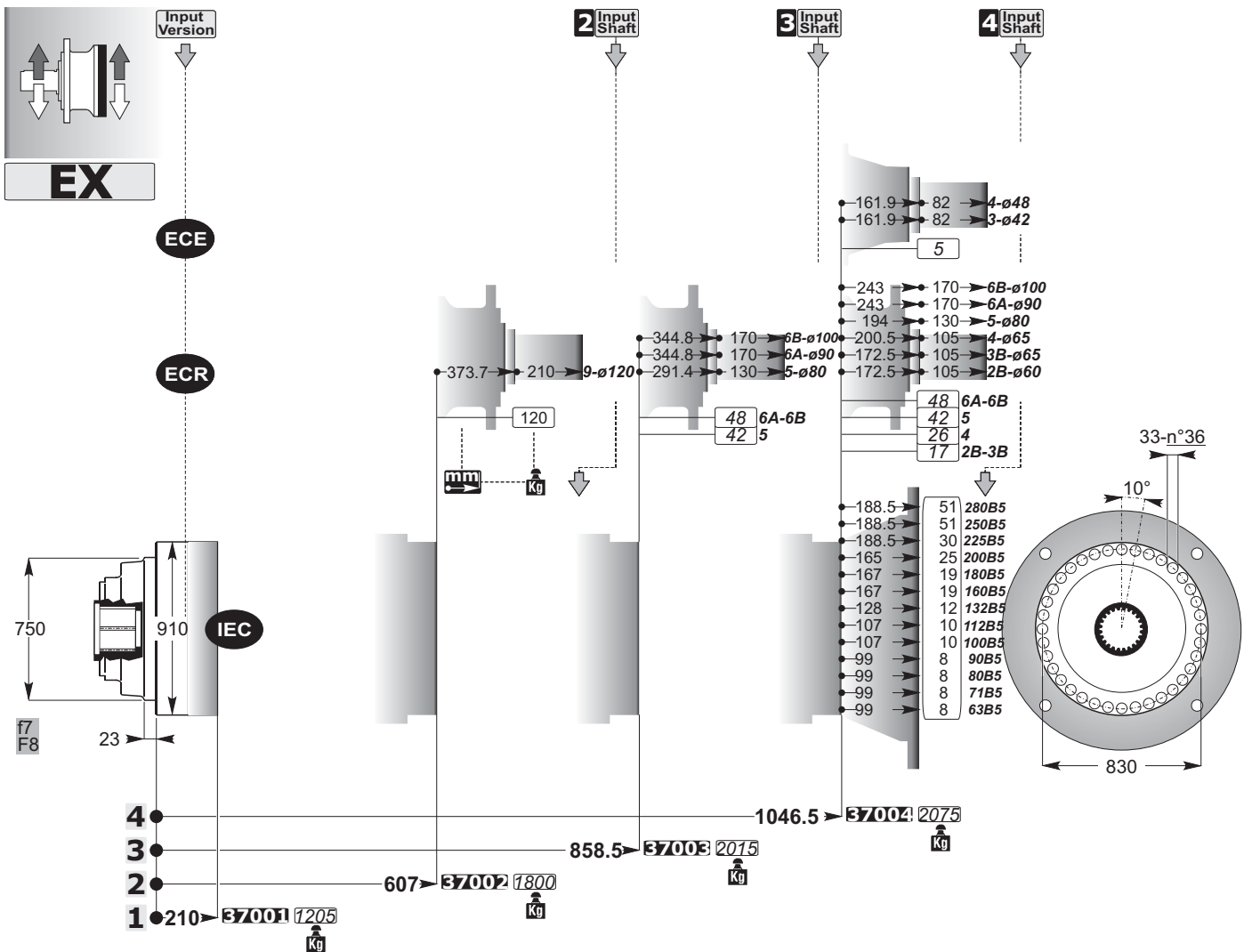




EXB

**non disponibile
not available
nicht verfügbar**

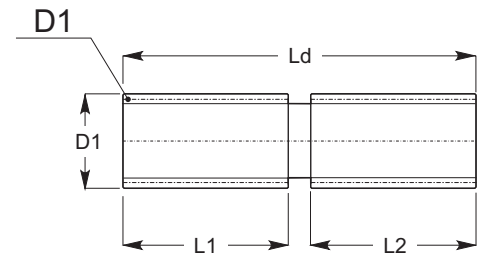





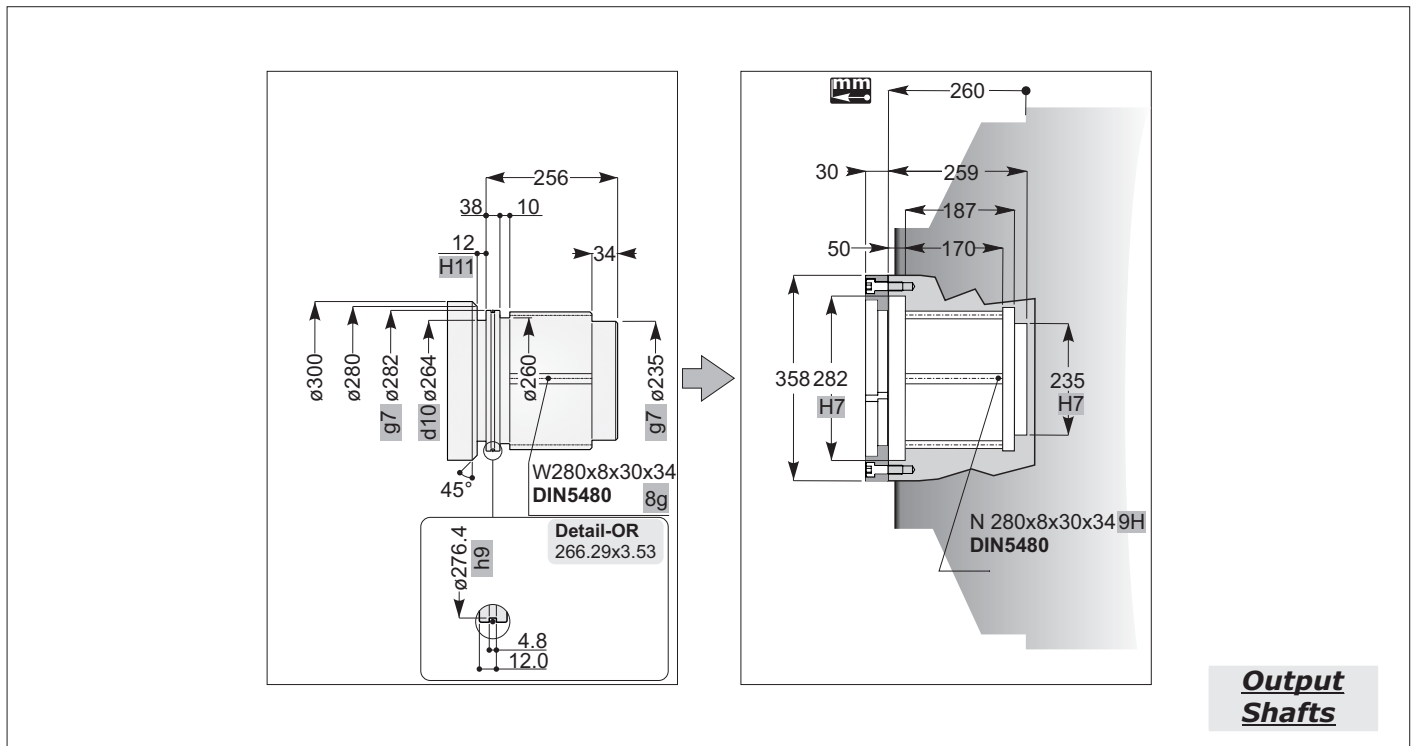
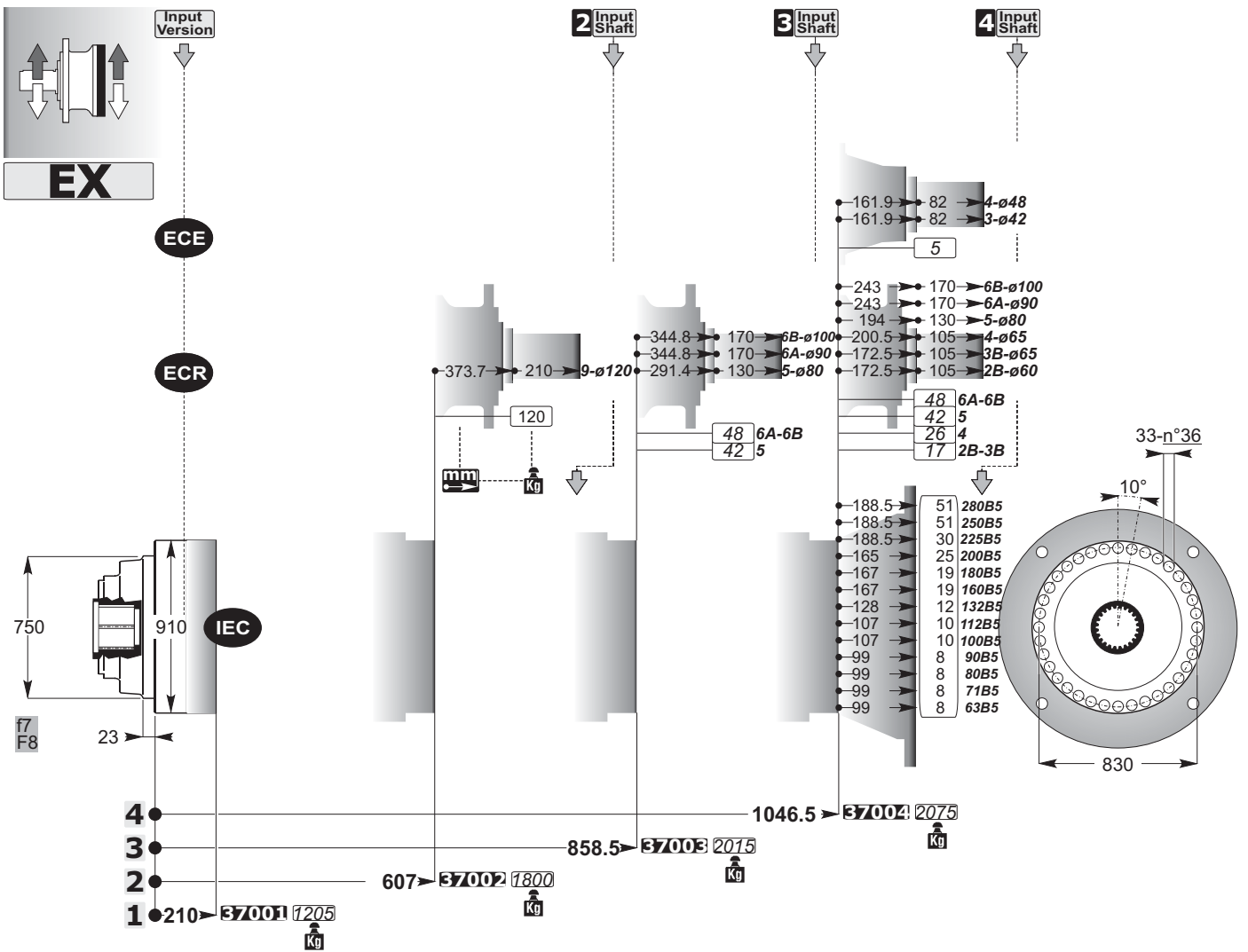
Output Shafts

EXB

non disponibile
not available
nicht verfügbar

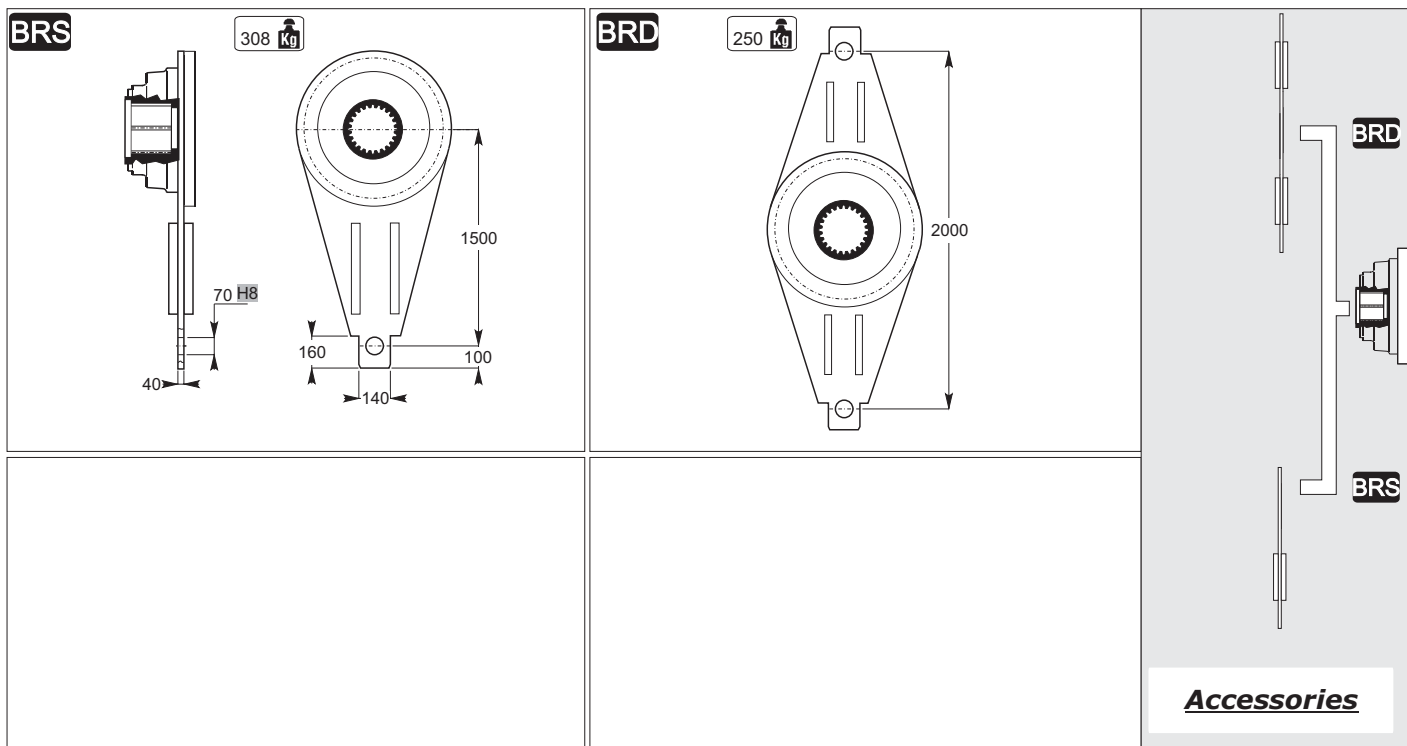
<p>SD</p>  <p><i>On request</i></p>		<p>SD</p>  <p>Accessories</p>

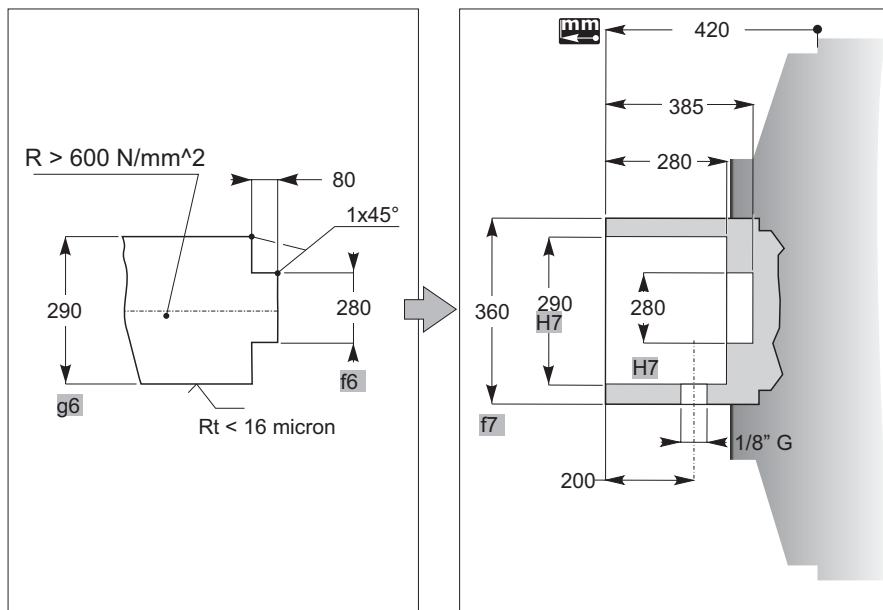
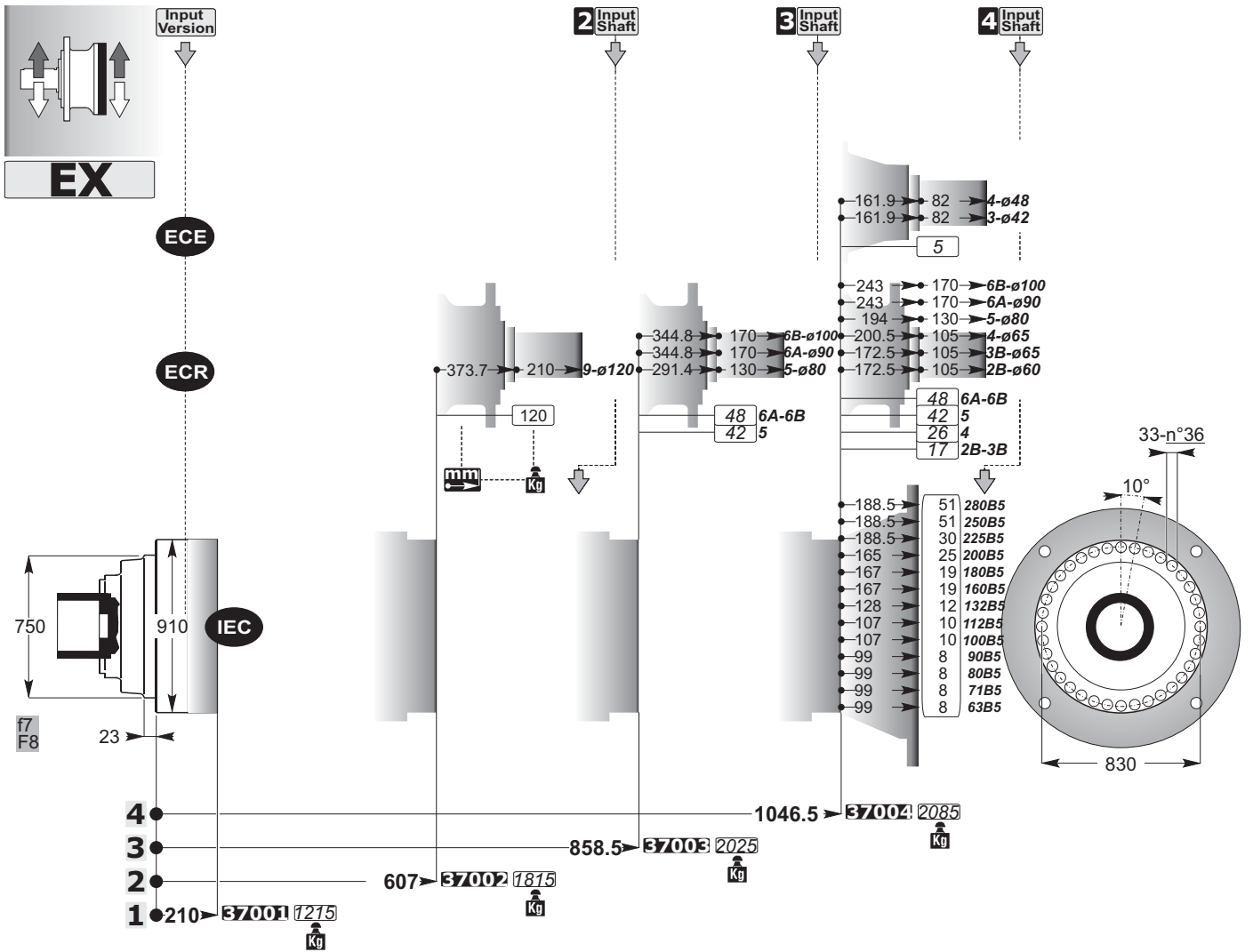
mm
C



EXB

**non disponibile
not available
nicht verfügbar**





Output Shafts

EXB

non disponibile
not available
nicht verfügbar

