

ECE

4 Input Shaft →

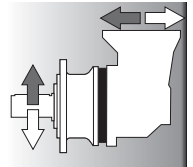
ECE 3 4

Input Version

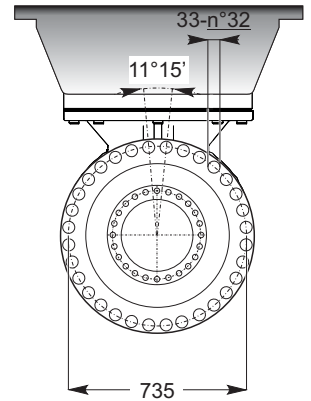
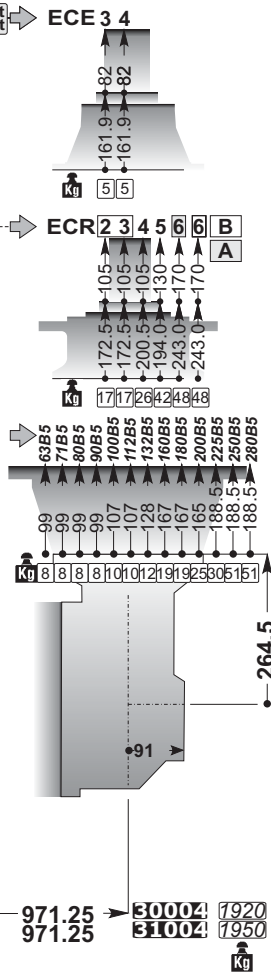
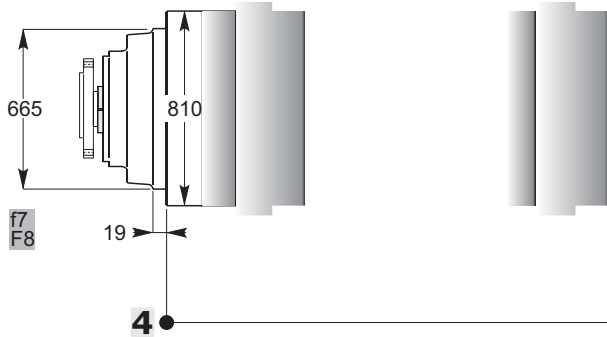
ECR

→ ECR 2 3 4 5 6 6 B A

IEC



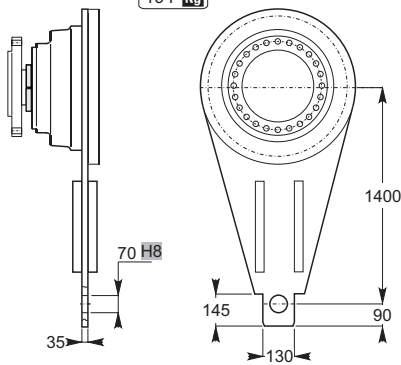
EXB



971.25	30004	1920
971.25	31004	1950

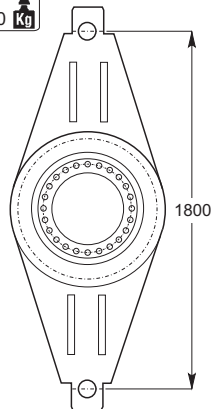
BRS

194 Kg



BRD

160 Kg



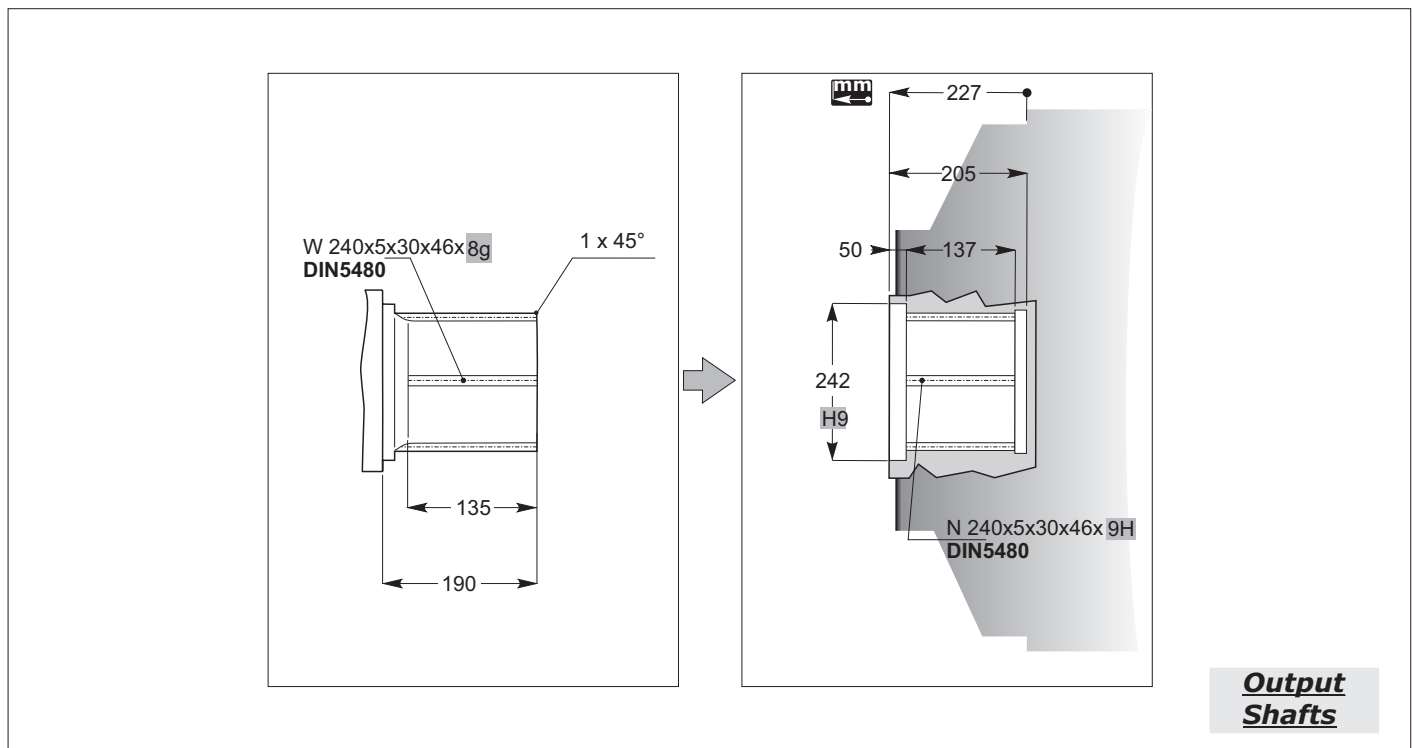
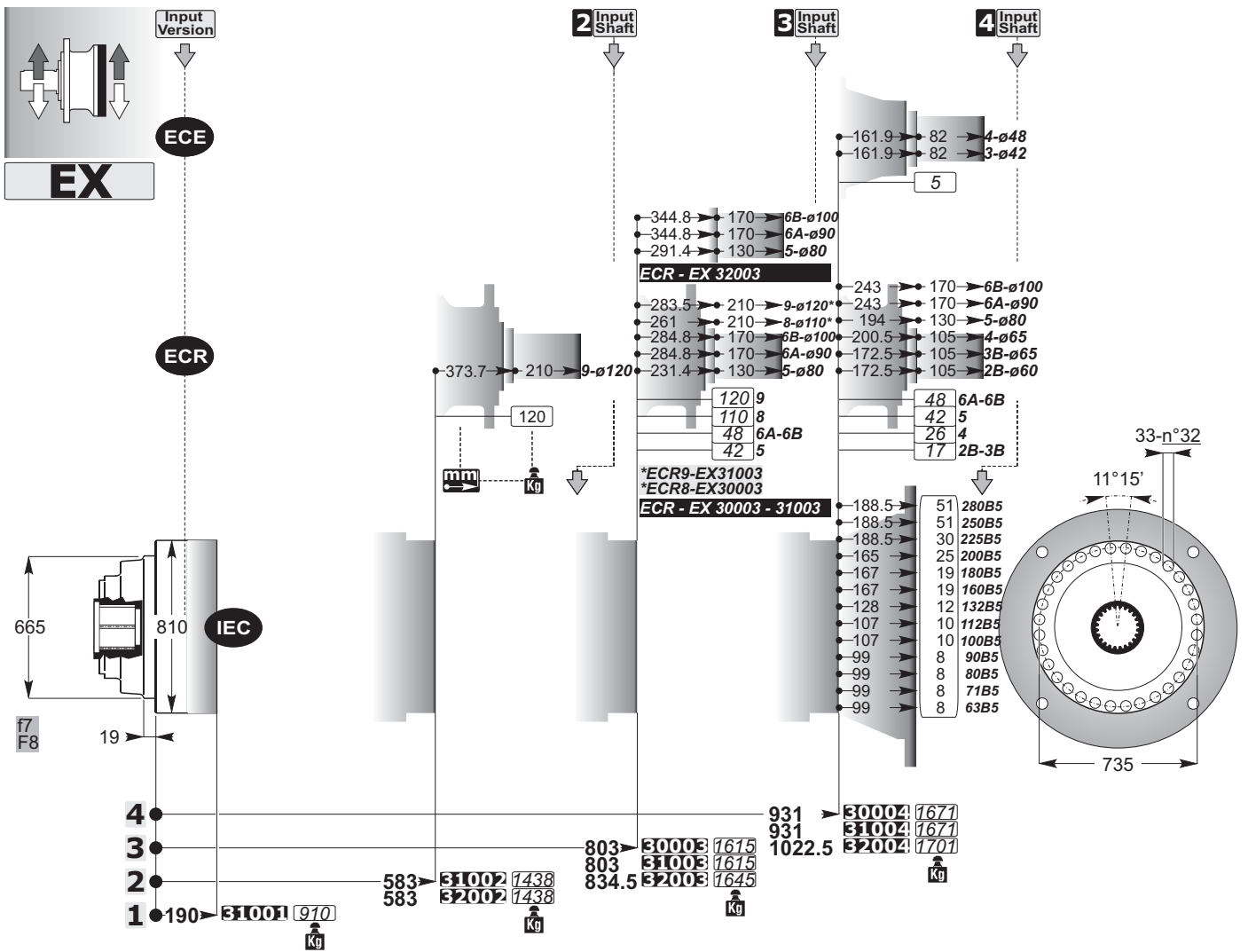
mm

C

BRD

BRS

Accessories



ECE

4 Input Shaft

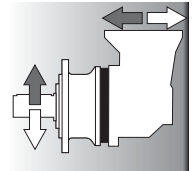
ECE 3 4

Input Version

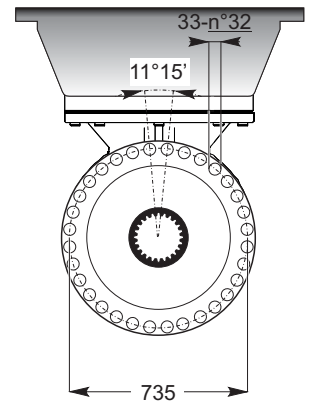
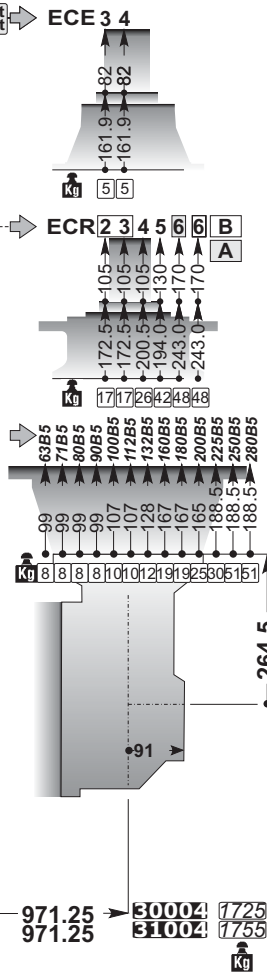
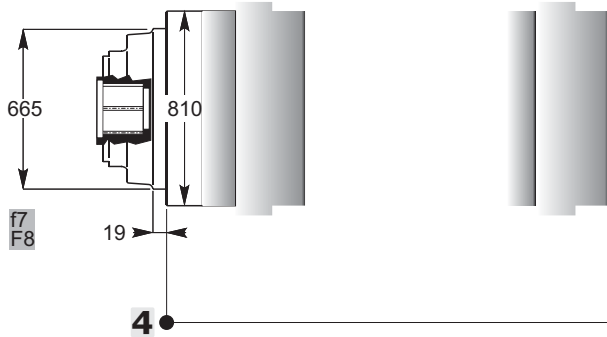
ECR

ECR 2 3 4 5 6 6 B A

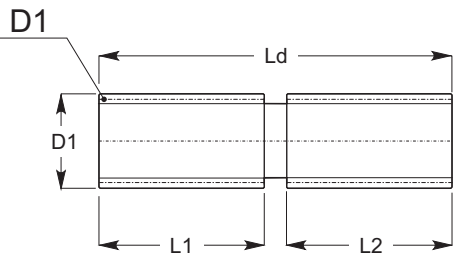
IEC



EXB



SD



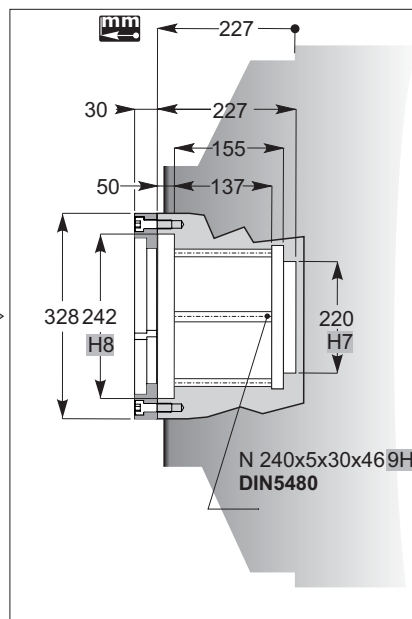
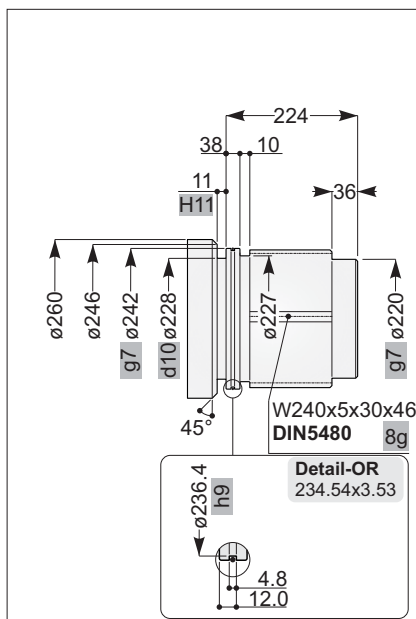
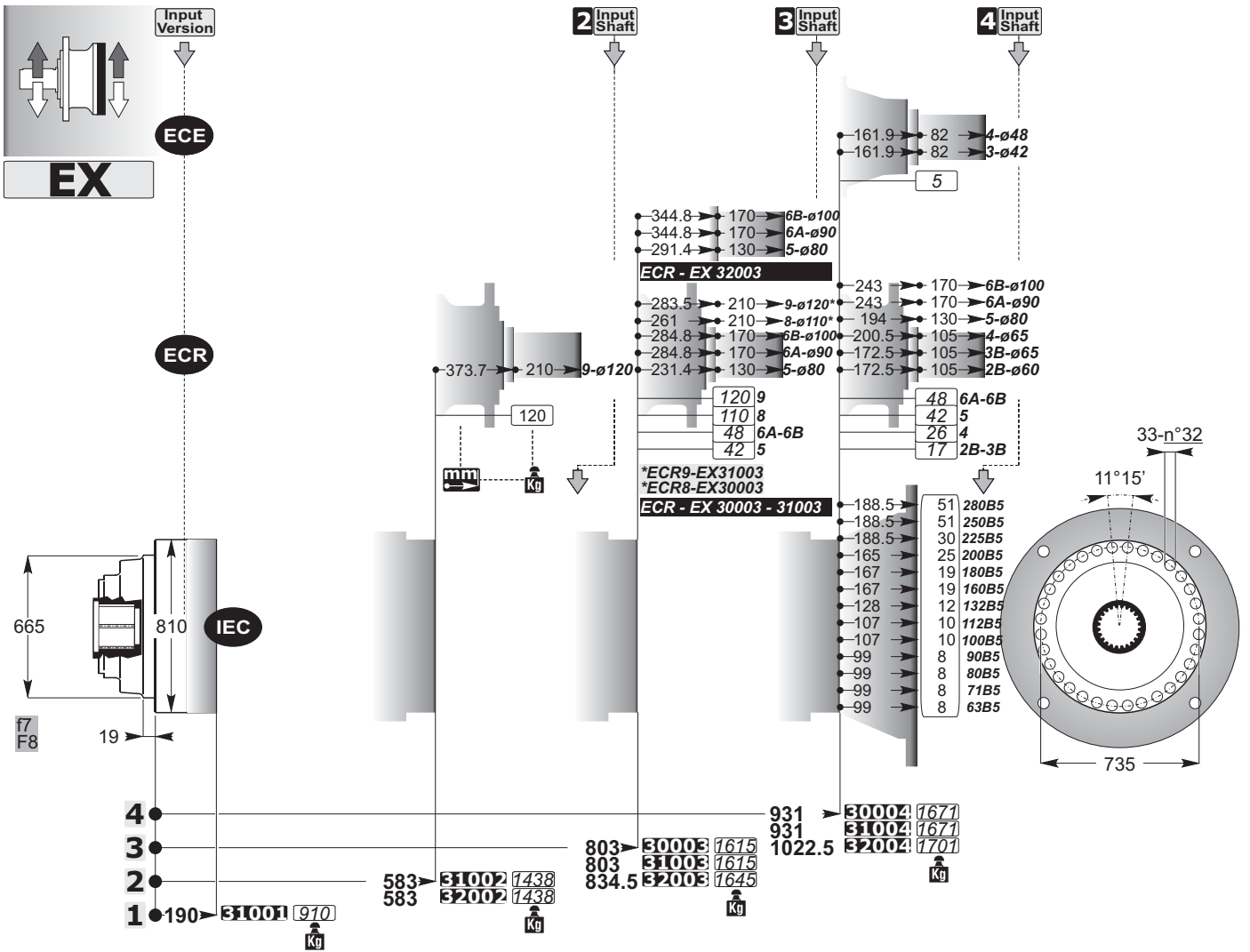
On request

SD



Accessories

mm
C



Output Shafts

ECE

4 Input Shaft

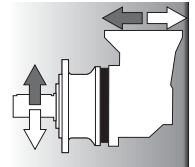
ECE 3 4

Input Version

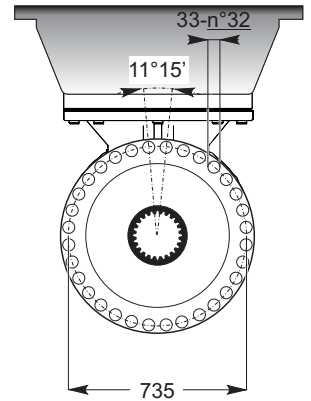
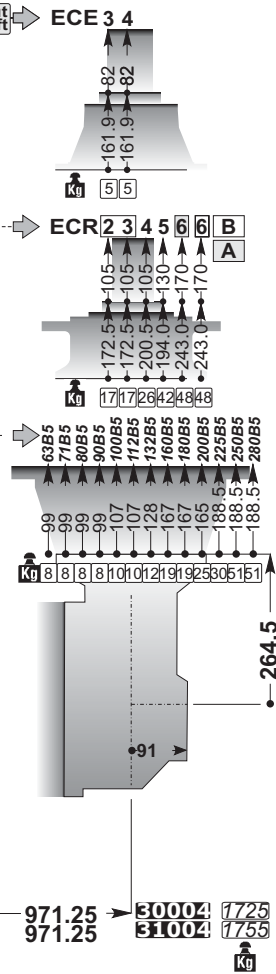
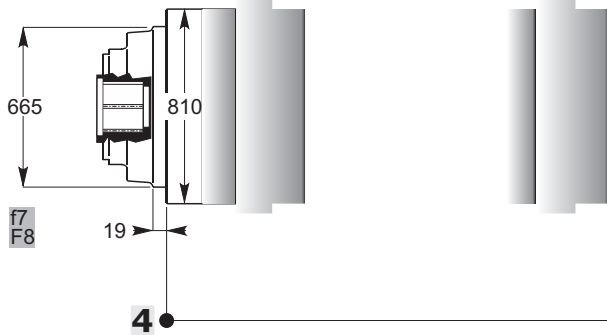
ECR

ECR 2 3 4 5 6 6 B A

IEC

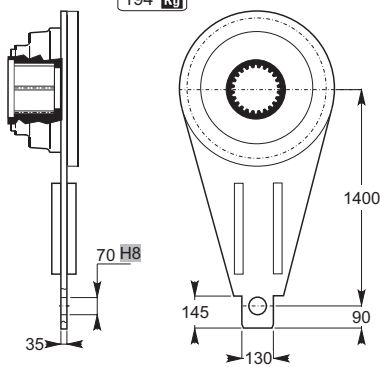


EXB



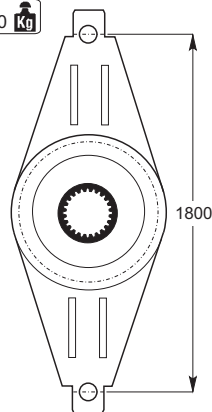
BRS

194 Kg



BRD

160 Kg



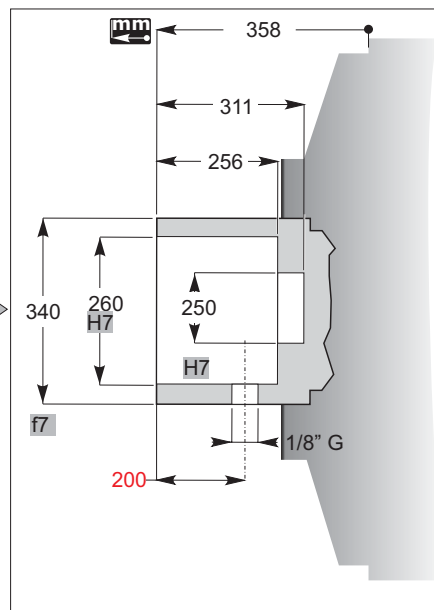
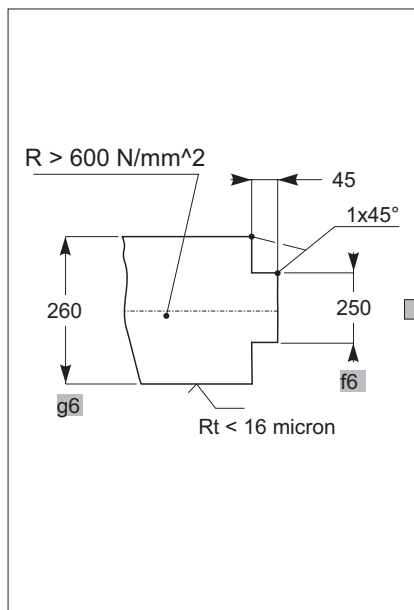
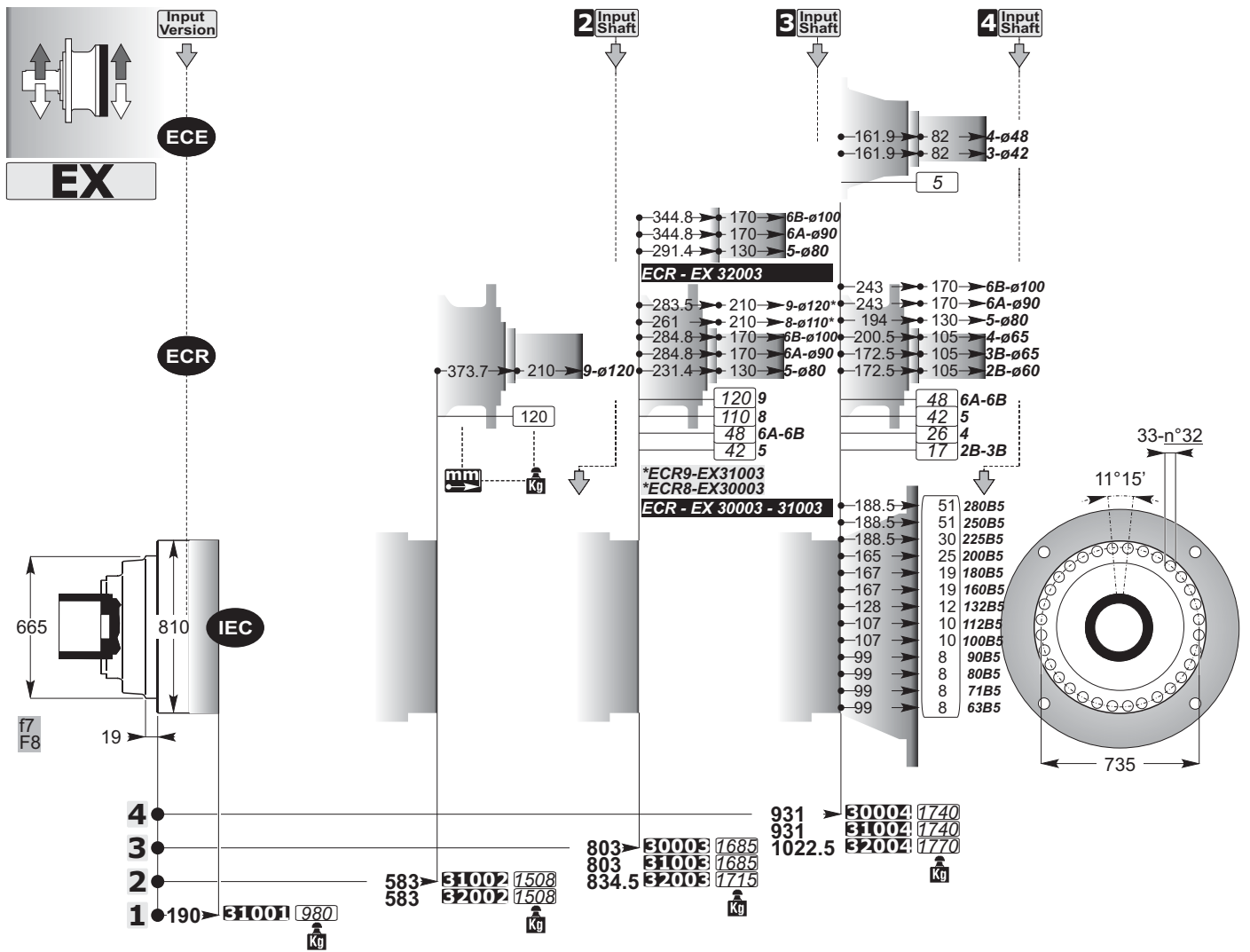
mm

C

BRD

BRS

Accessories



Output Shafts

ECE

4 Input Shaft

ECE 3 4

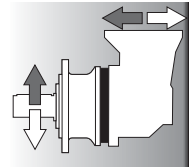
Input Version

ECR

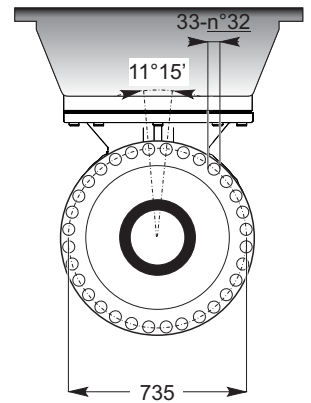
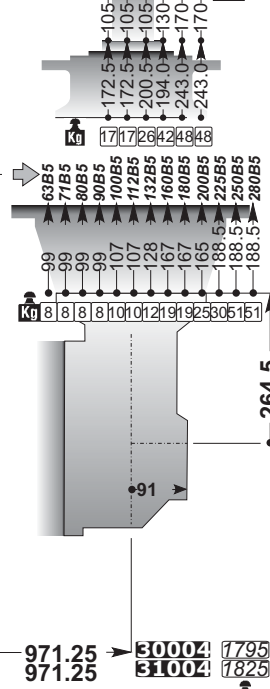
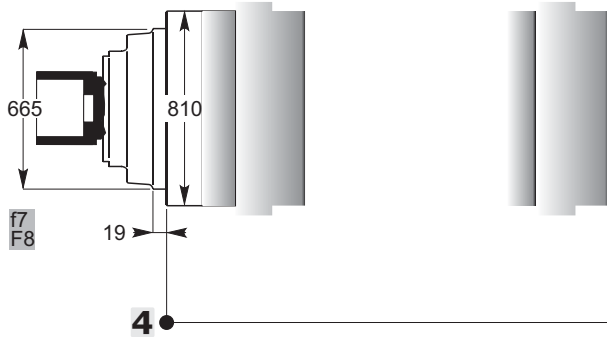
ECR 2 3 4 5 6 6 B A

IEC

63B5 71B5 80B5 90B5 100B5 112B5 122B5 160B5 167 188.5 200B5 225B5 250B5 280B5



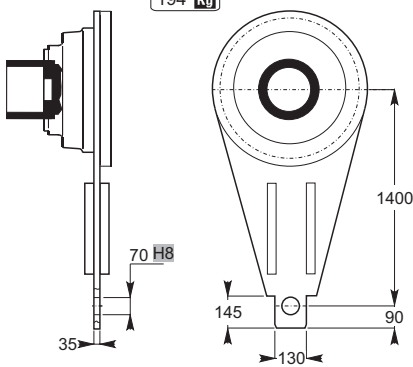
EXB



971.25 30004 1795
971.25 31004 1825
Kg

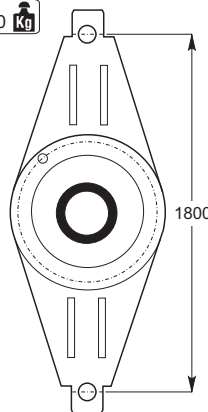
BRS

194 Kg



BRD

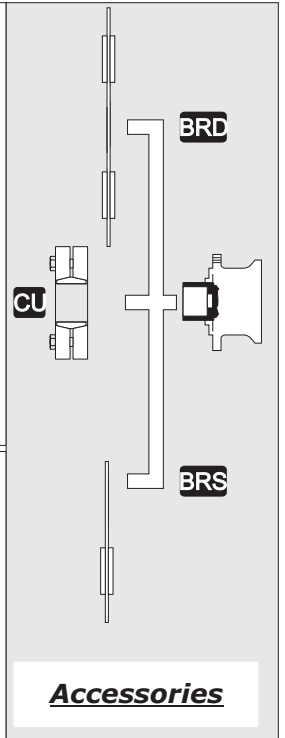
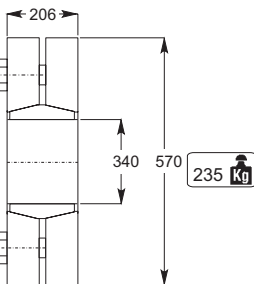
160 Kg



CU

Ms 1250 Nm

M27 10.9



Accessories

mm C