

ECE

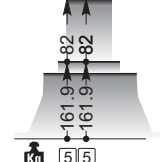
Input
Version

ECR

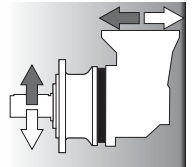
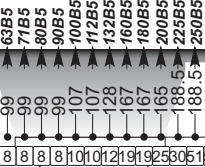
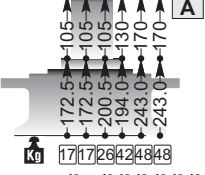
IEC

4 Input
Shaft

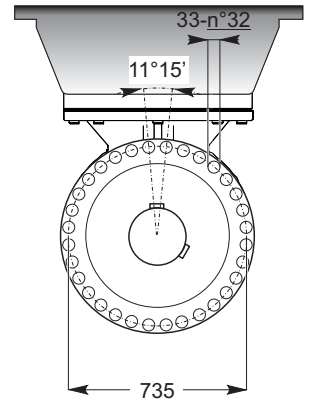
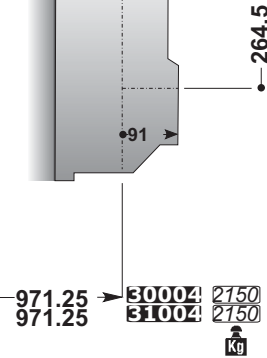
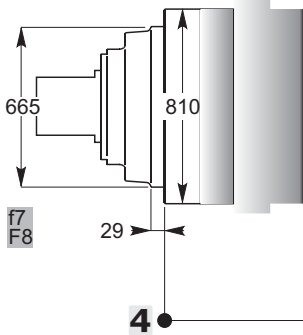
ECE 3 4



ECR 2 3 4 5 6 6 B



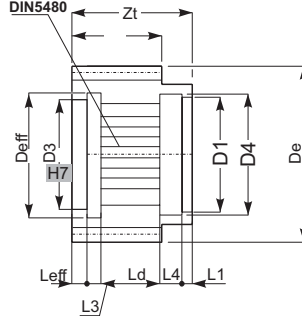
EXB



30004	2150
31004	2150

ID

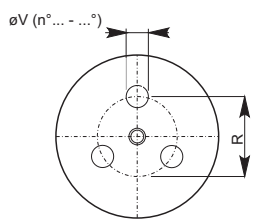
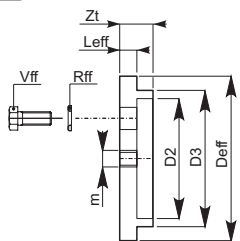
N 220x5x30x42 9H
DIN5480



ID	m	Z	X	De

On request

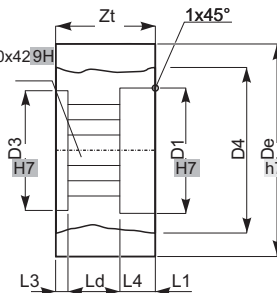
FF



On request

BD

N220x5x30x42 9H
DIN5480



On request

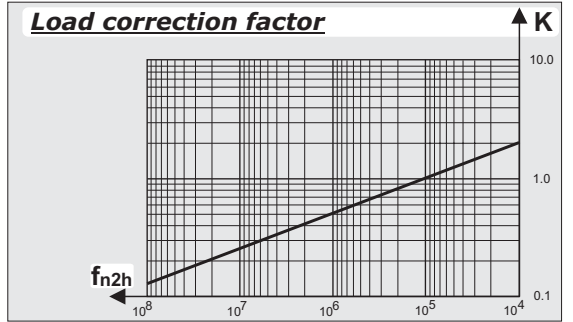
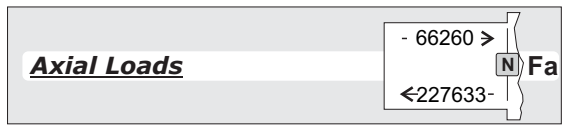
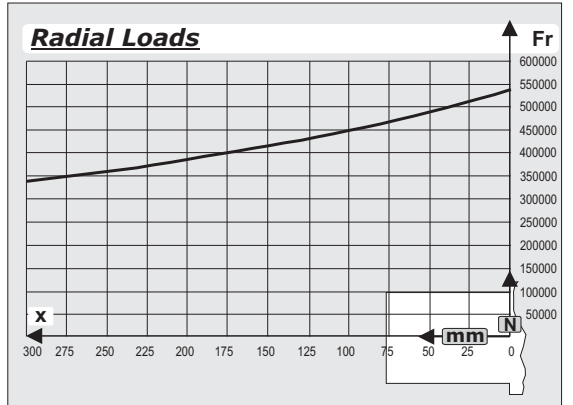
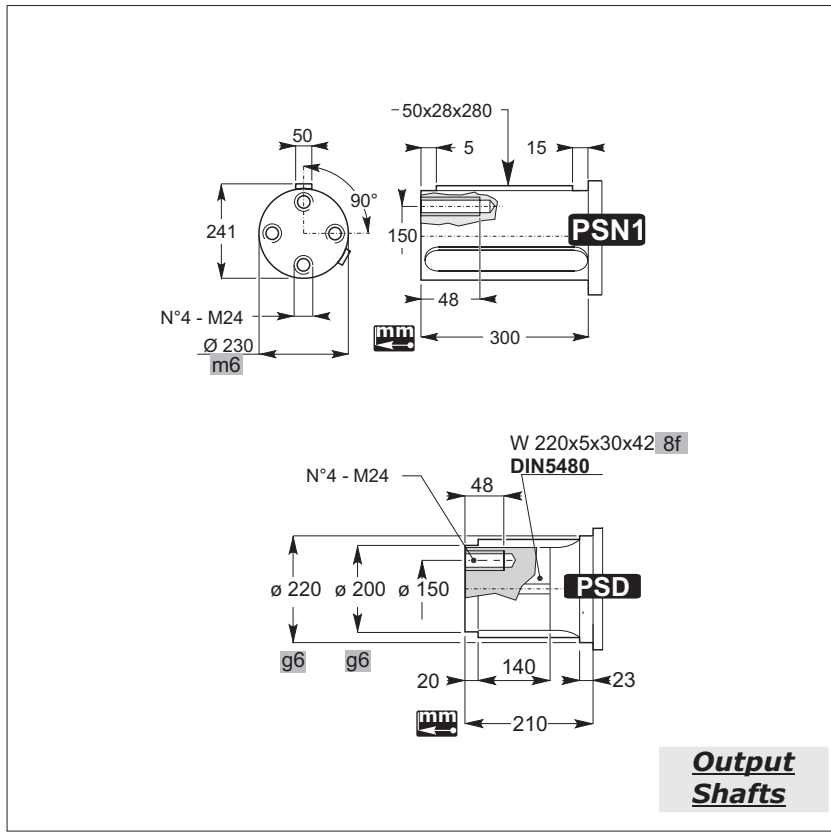
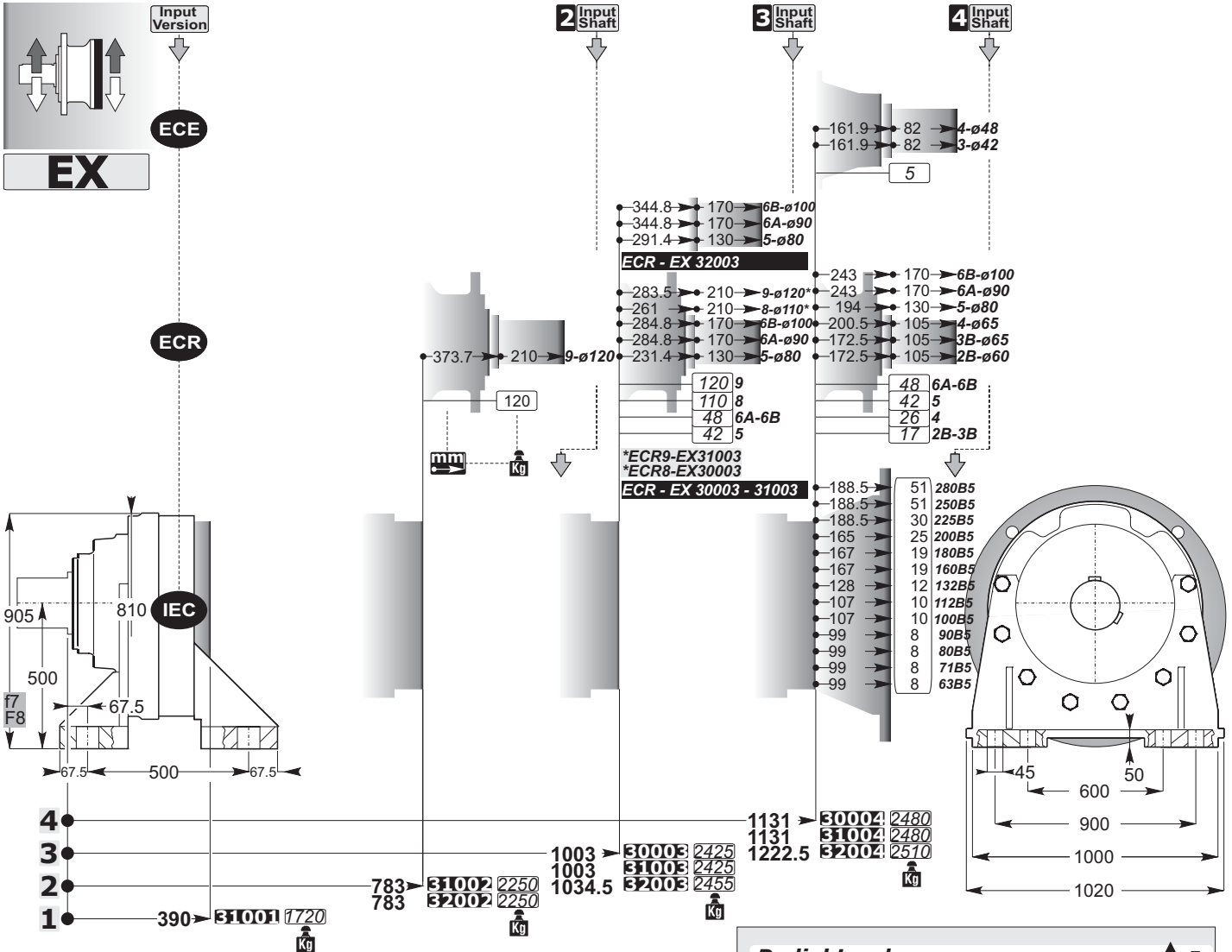
FF

ID

BD

Accessories

mm
C



ECE

4 Input Shaft

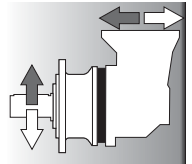
ECE 3 4

Input Version

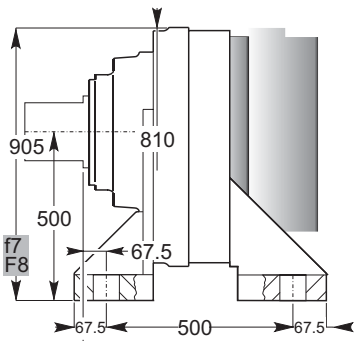
ECR

ECR 2 3 4 5 6 6 B A

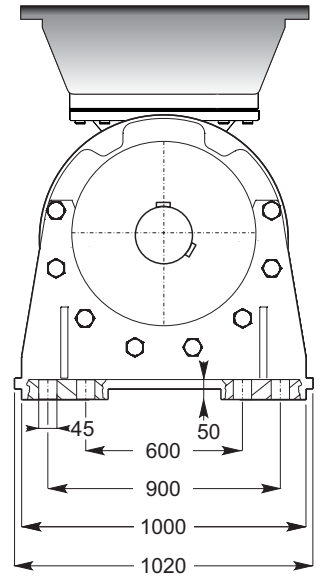
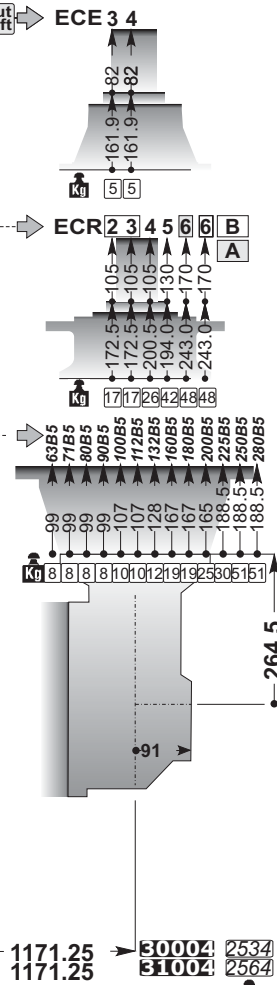
IEC



EXB

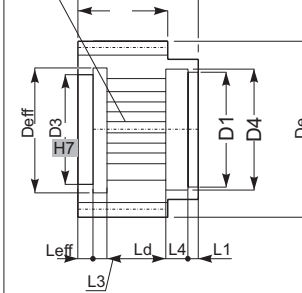


4



ID

N 220x5x30x42 9H
DIN5480

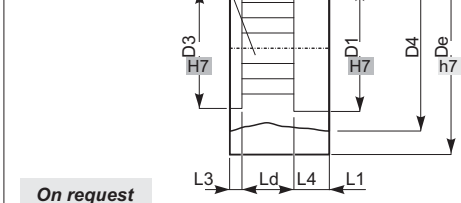


ID	m	Z	X	De

On request

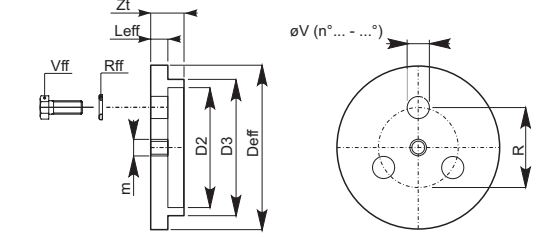
BD

N220x5x30x42 9H
DIN5480



On request

FF



On request

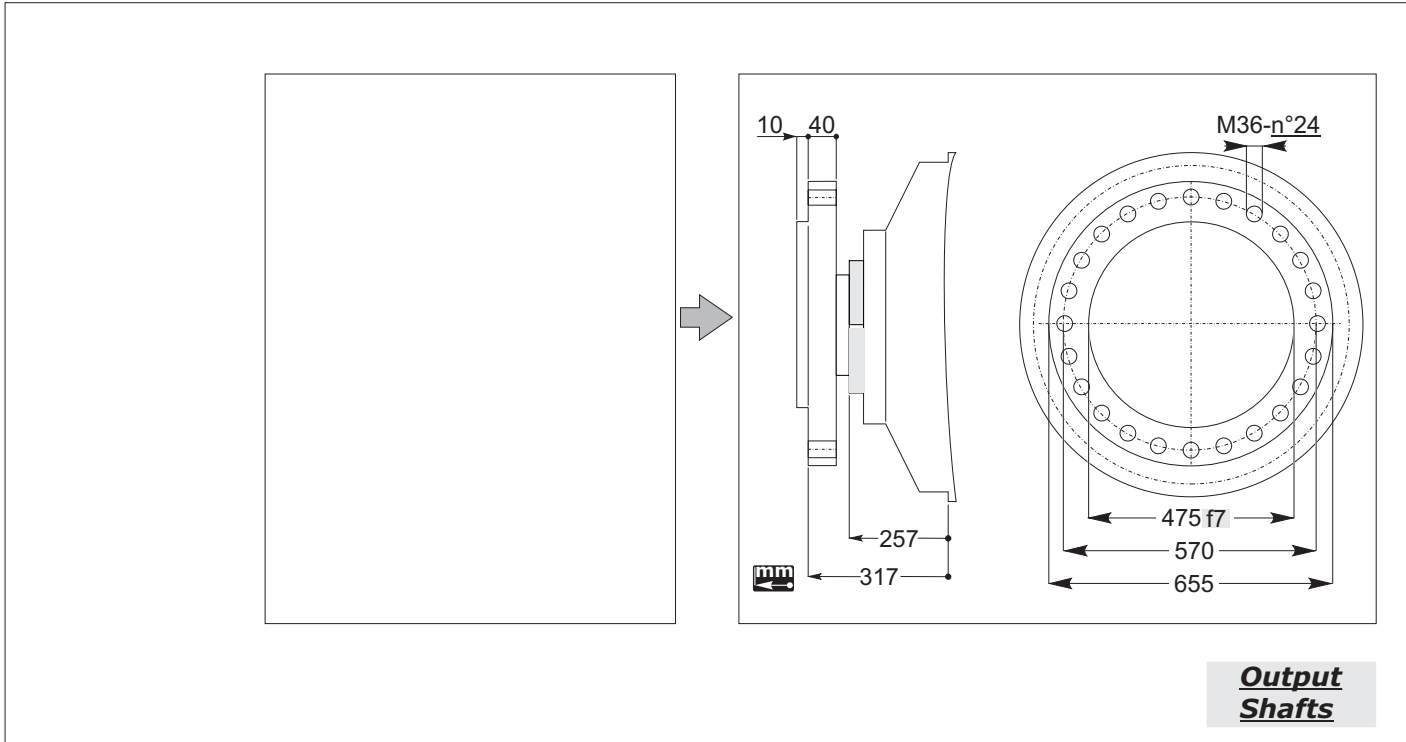
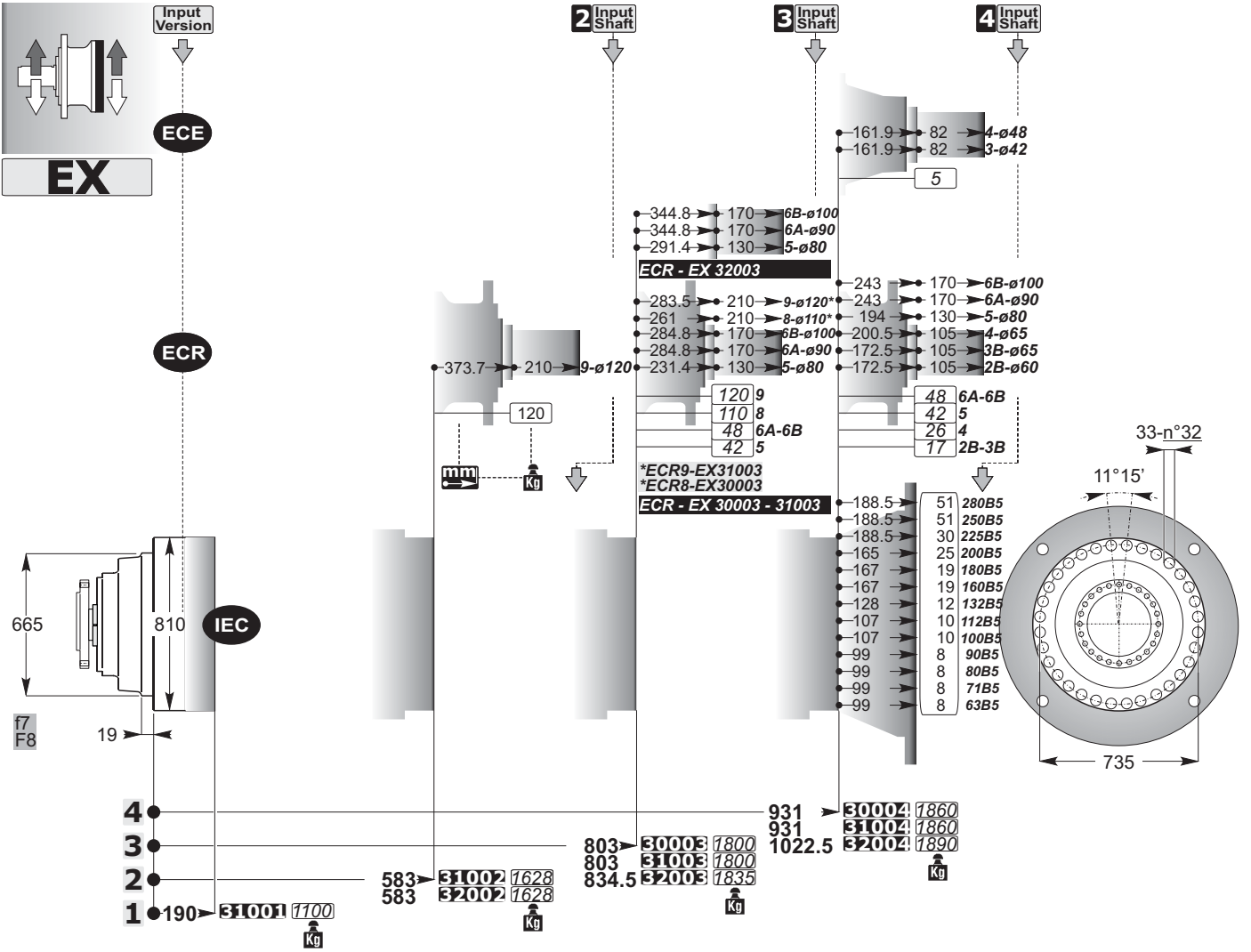
FF

ID

BD

Accessories

mm
C



ECE

4 Input Shaft →

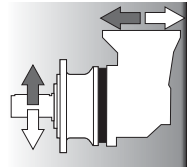
ECE 3 4

Input Version

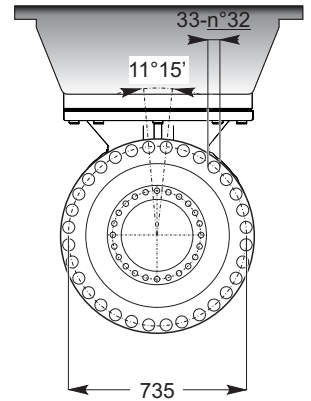
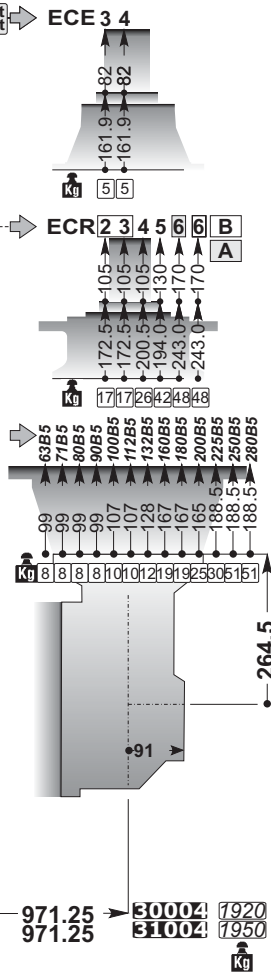
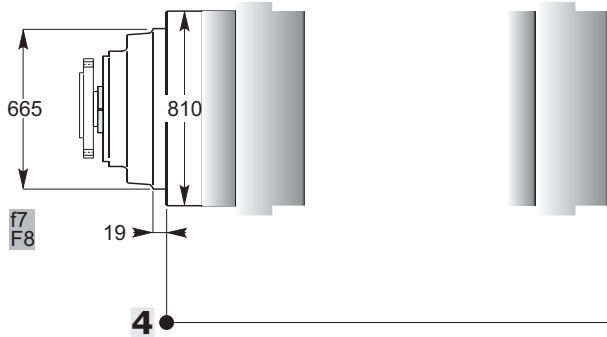
ECR

→ ECR 2 3 4 5 6 6 B A

IEC

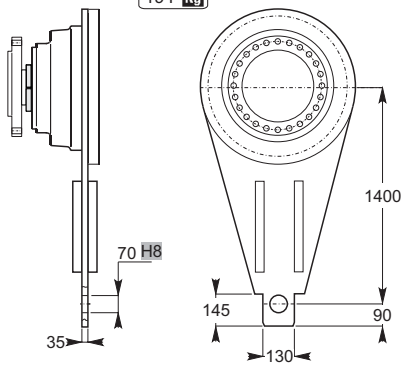


EXB



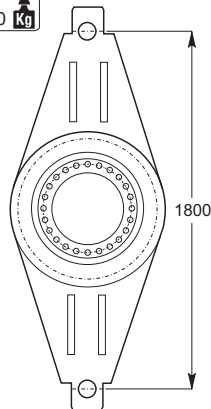
BRS

194 Kg



BRD

160 Kg



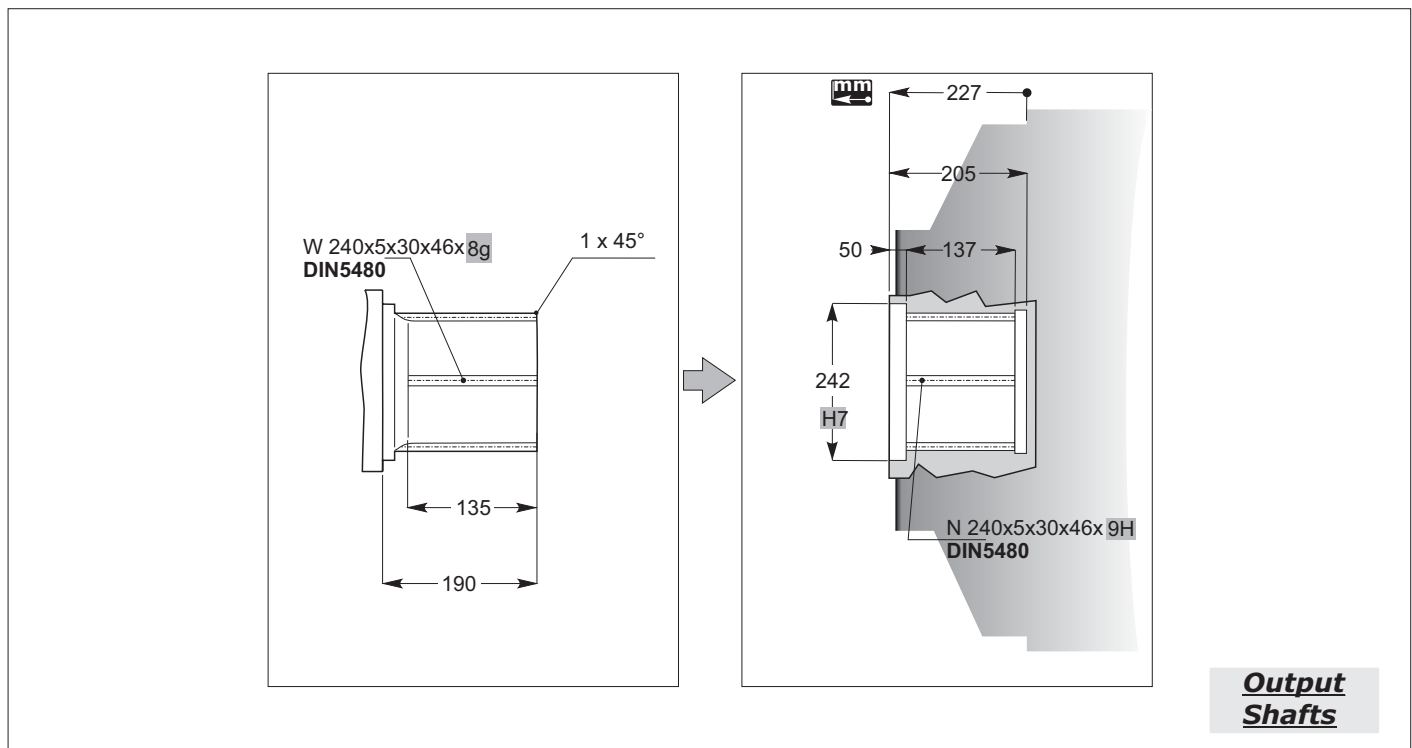
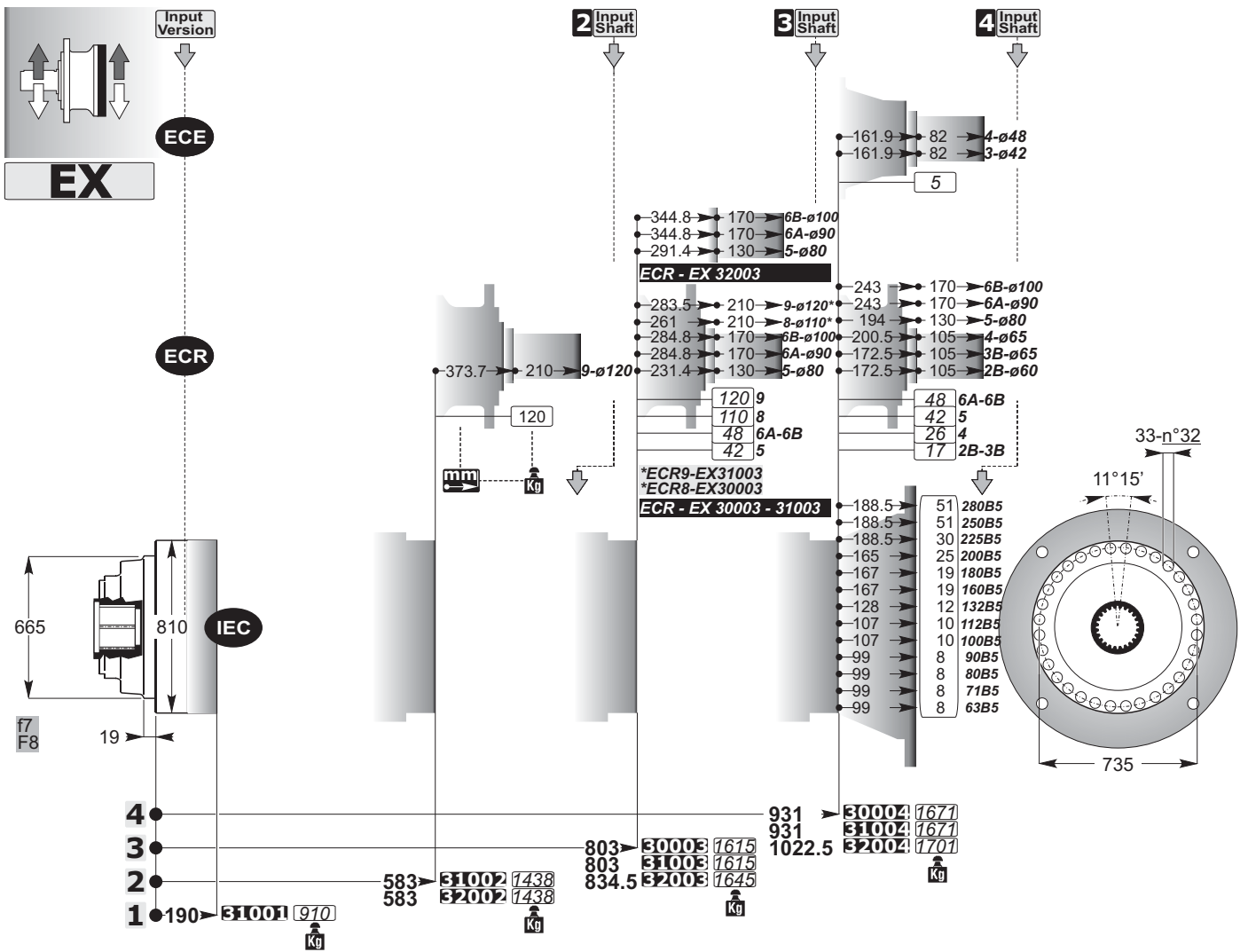
mm

C

BRD

BRS

Accessories



ECE

4 Input Shaft

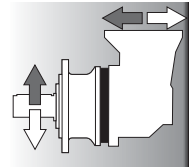
ECE 3 4

Input Version

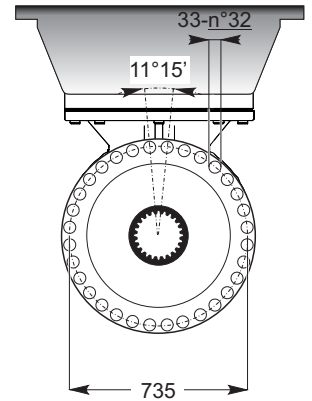
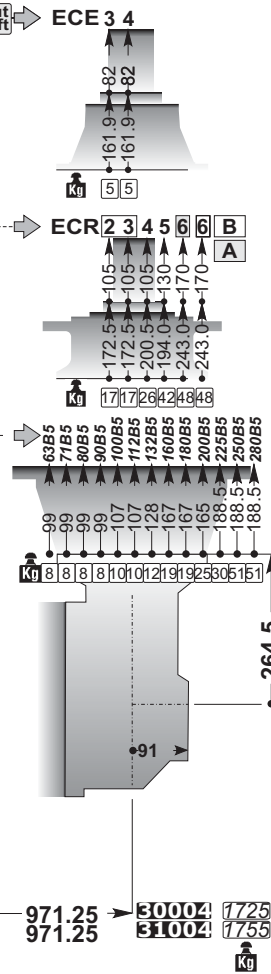
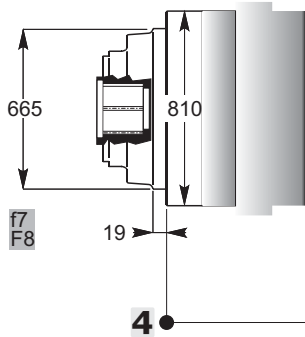
ECR

ECR 2 3 4 5 6 6 B A

IEC

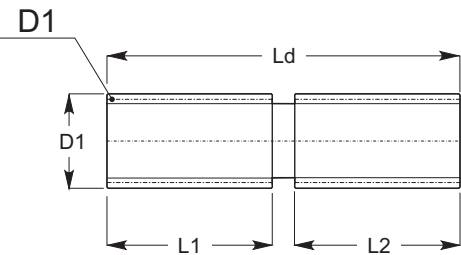


EXB

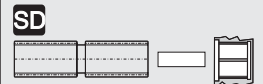


971.25 30004 1725
971.25 31004 1755

SD

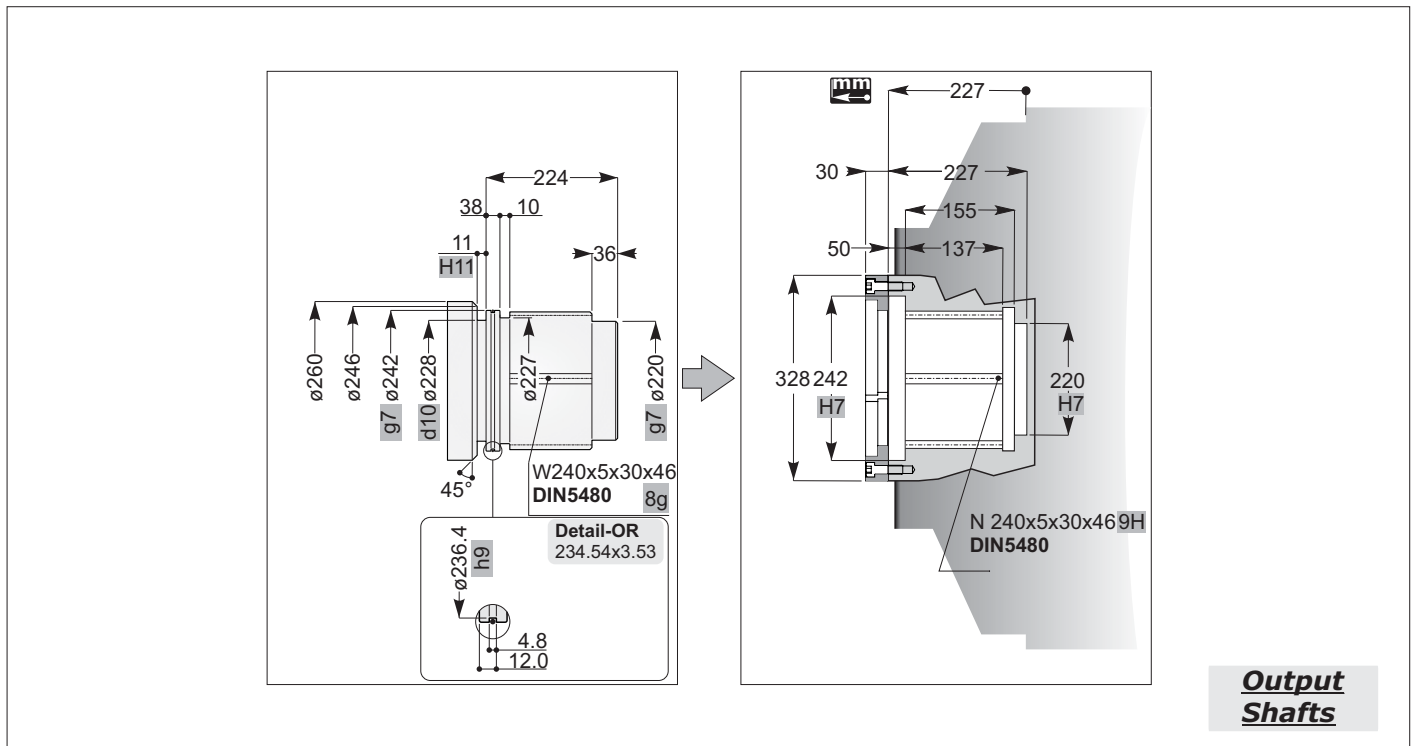
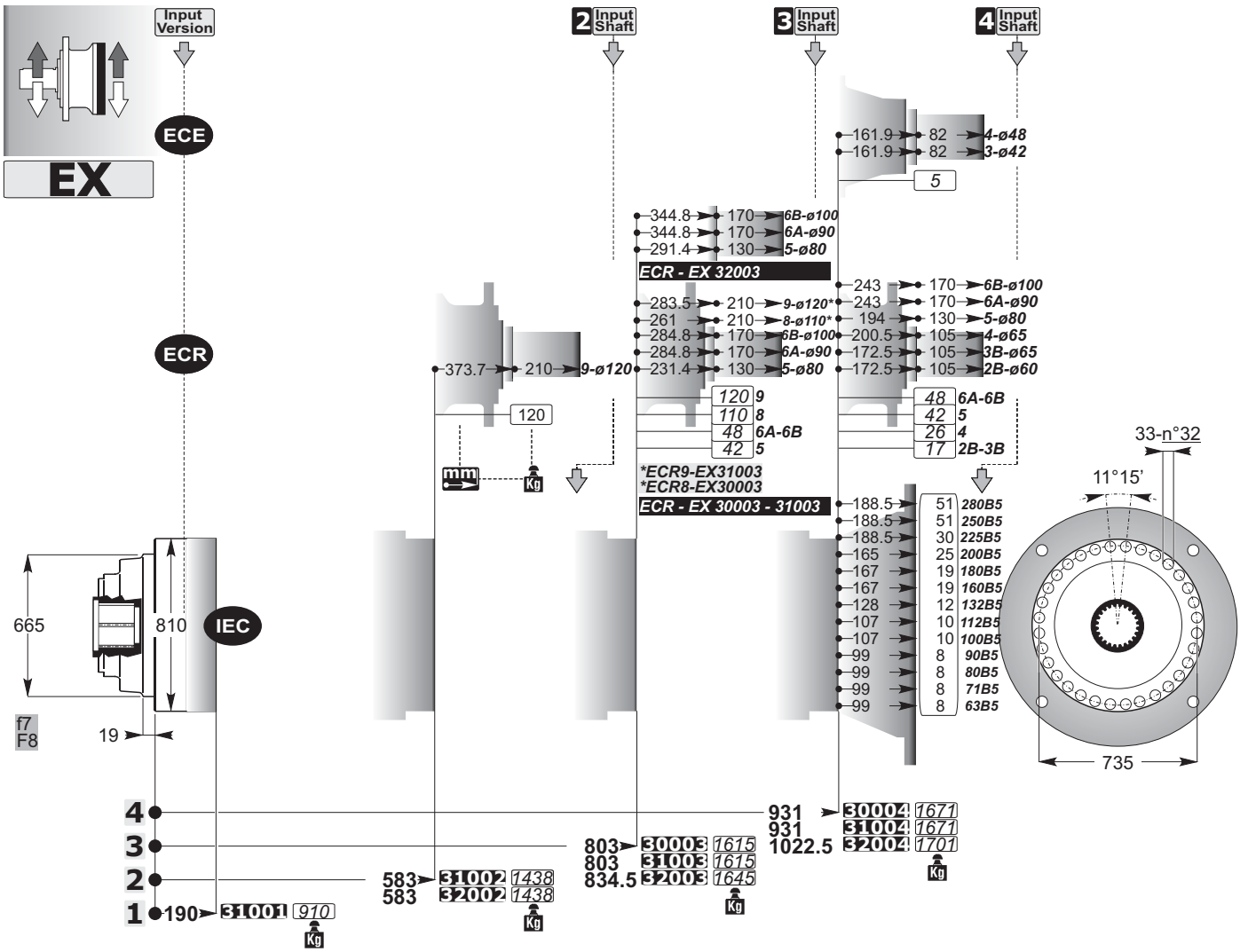


On request



Accessories

mm
C



ECE

4 Input Shaft

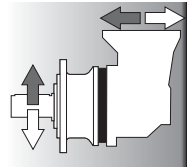
ECE 3 4

Input Version

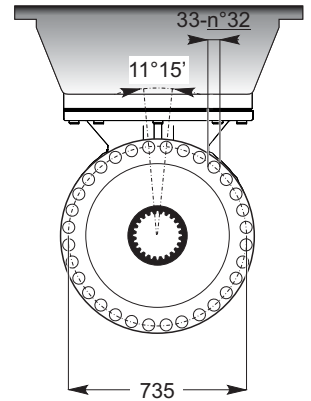
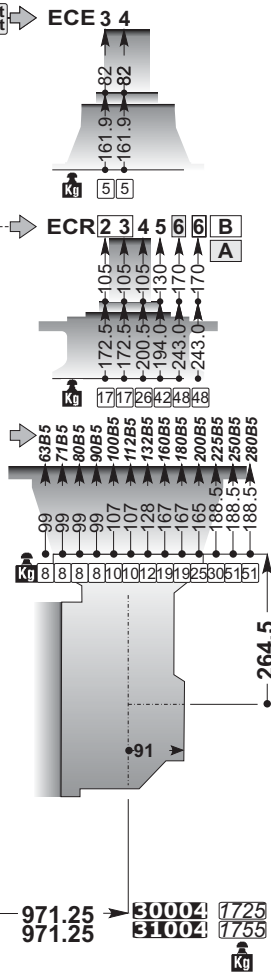
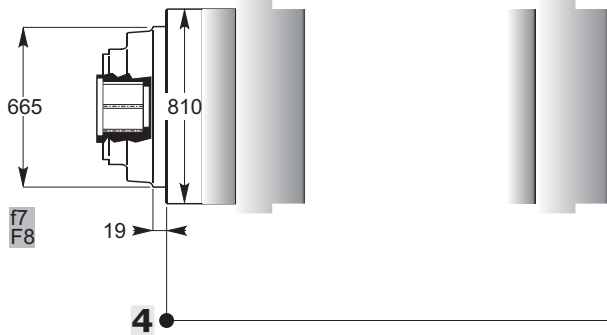
ECR

ECR 2 3 4 5 6 6 B A

IEC

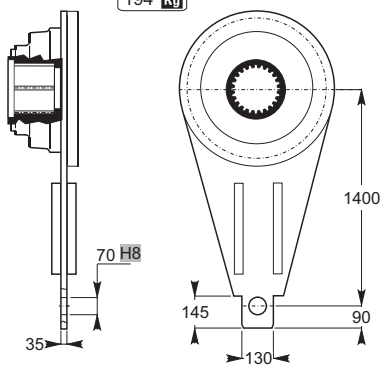


EXB



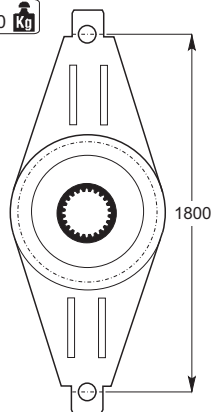
BRS

194 Kg



BRD

160 Kg



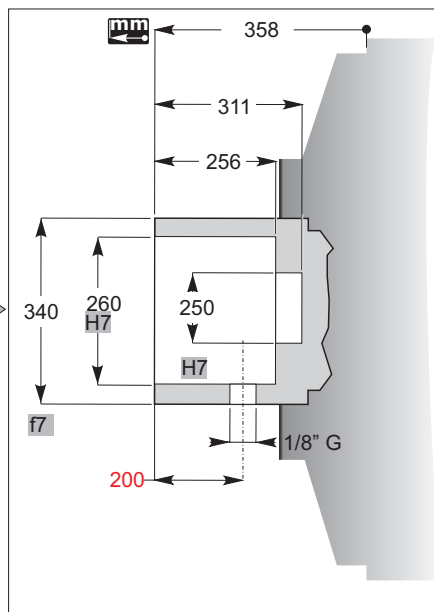
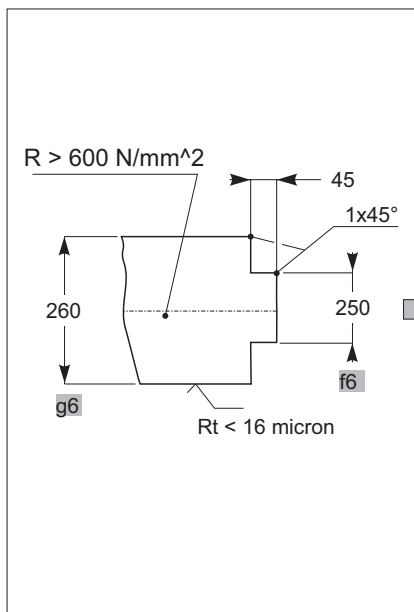
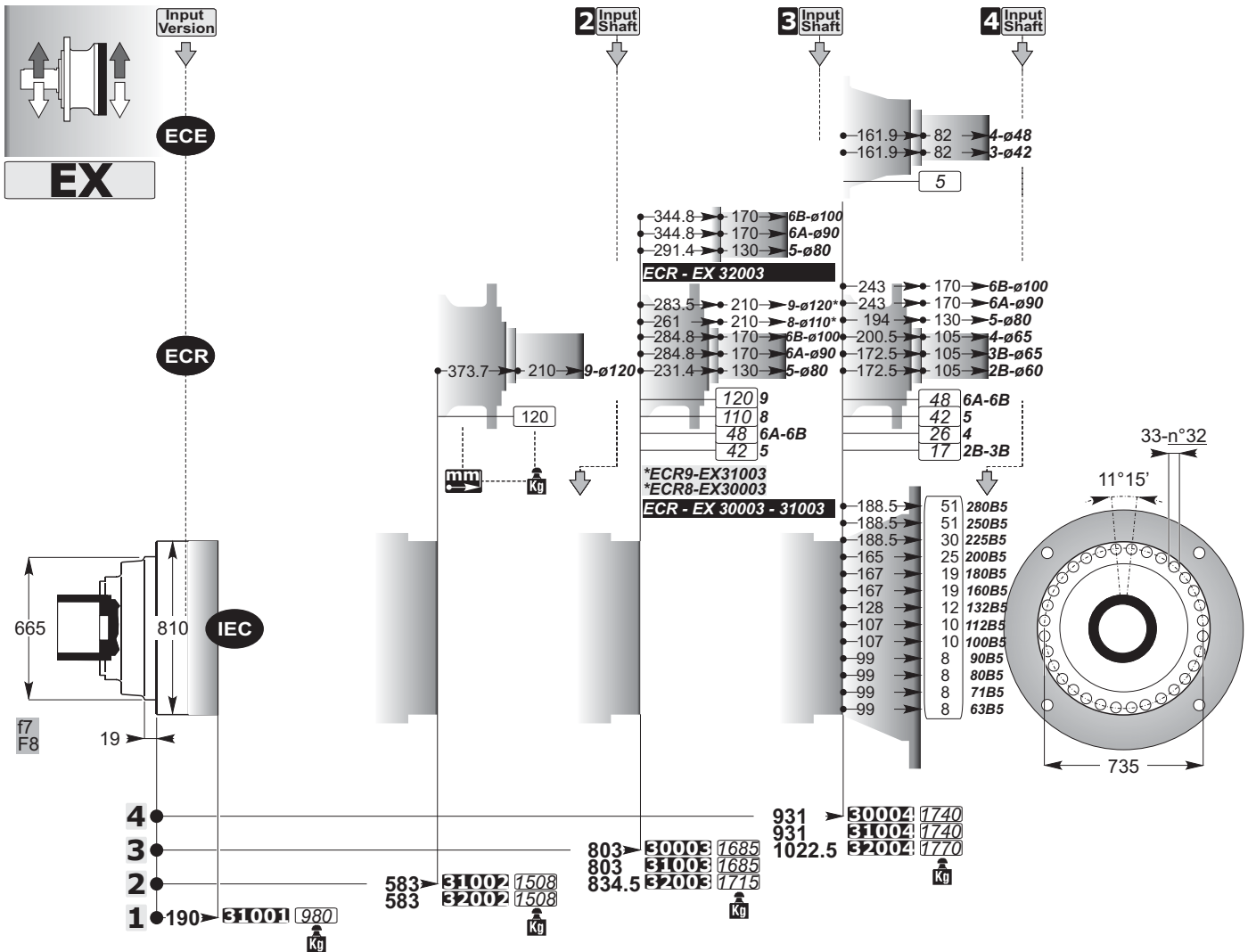
mm

C

BRD

BRS

Accessories

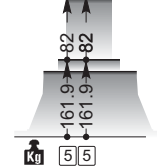


Output Shafts

ECE

4 Input Shaft →

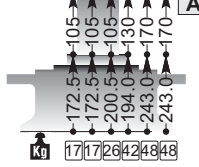
ECE 3 4



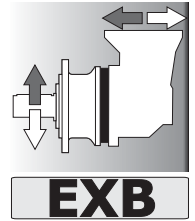
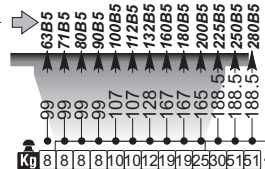
Input Version

ECR

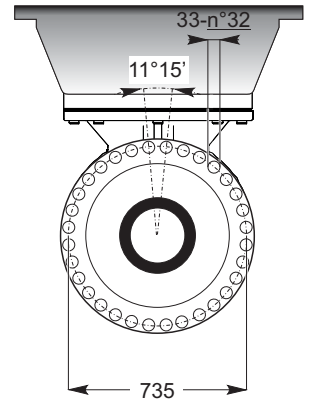
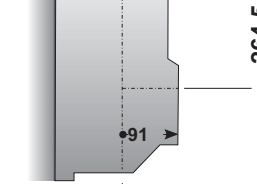
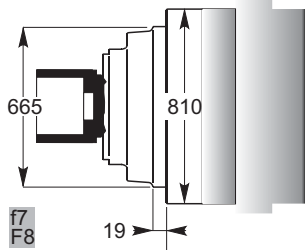
→ ECR 2 3 4 5 6 6 B A



IEC



EXB

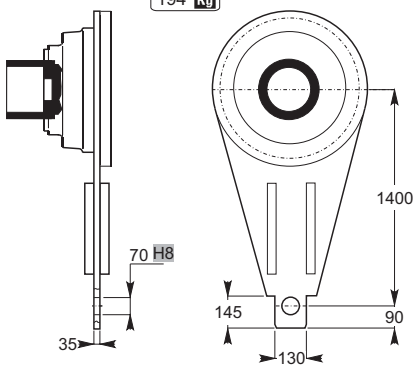


4 ●

971.25 → **30004** 1795
971.25 **31004** 1825
Kg

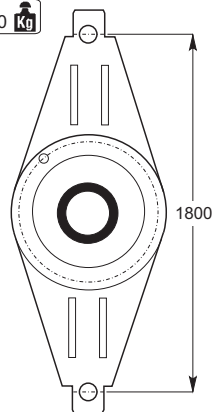
BRS

194 Kg



BRD

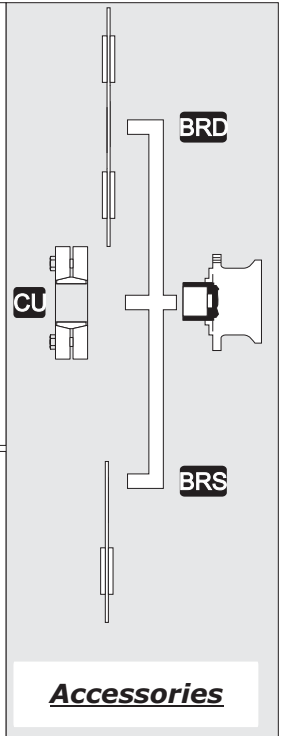
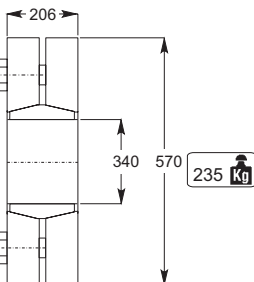
160 Kg



CU

Ms 1250 Nm

M27 10.9



Accessories

mm
C