

ECE

4 Input Shaft → **ECE 3 4**

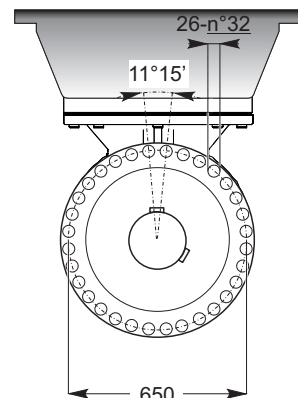
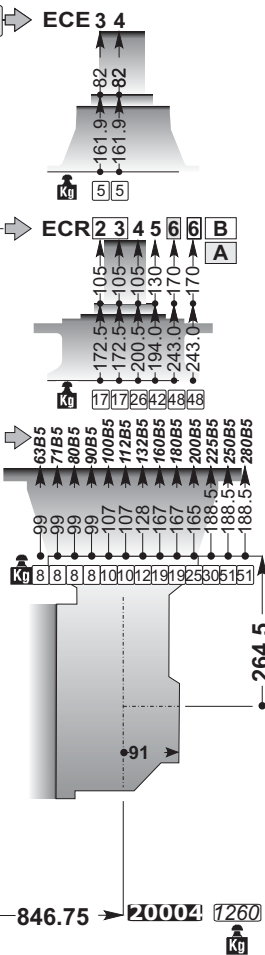
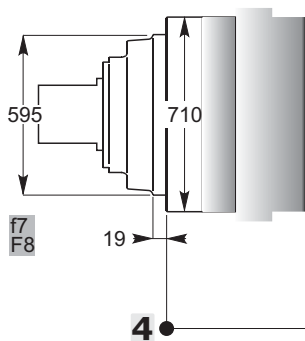
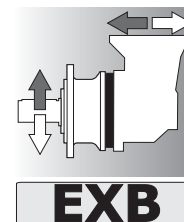
Input Version

ECR

→ **ECR 2 3 4 5 6 6 B A**

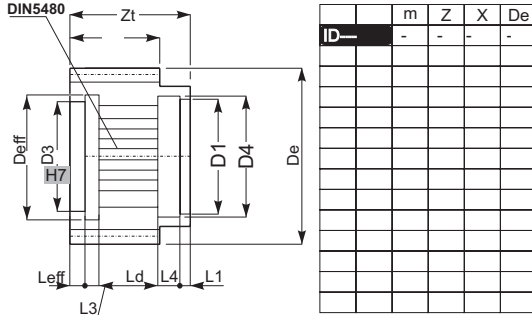
IEC

→ **63B5 71B5 80B5 100B5 112B5 132B5 160B5 200B5 225B5 250B5 280B5**

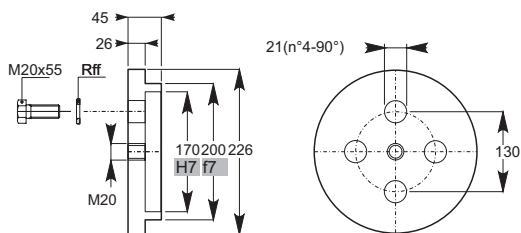


ID

N 200x5x30x38 9H
DIN5480

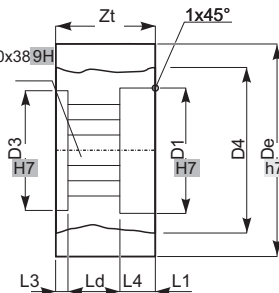


FF



BD

N200x5x30x38 9H
DIN5480

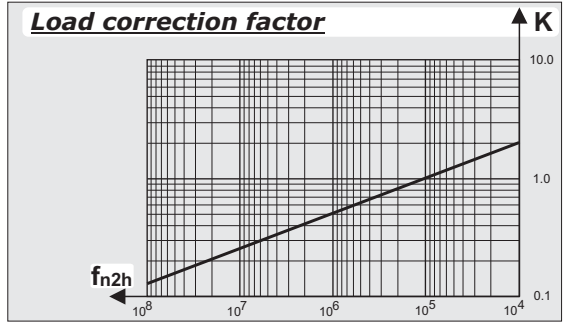
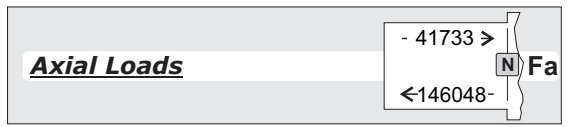
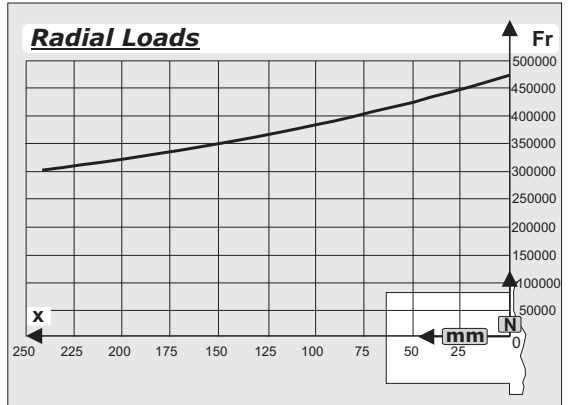
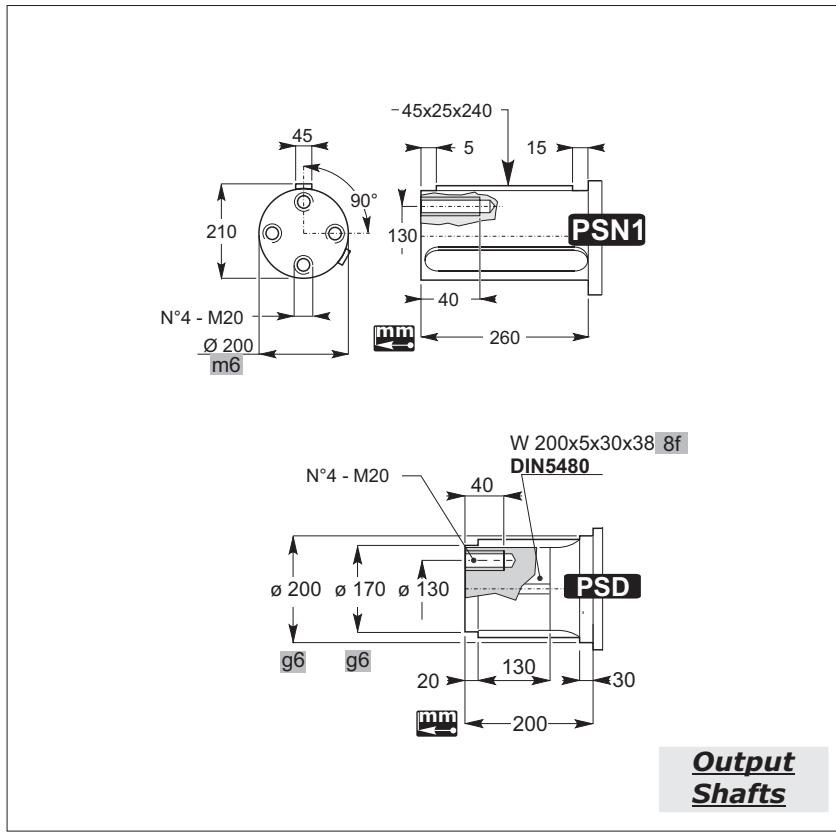
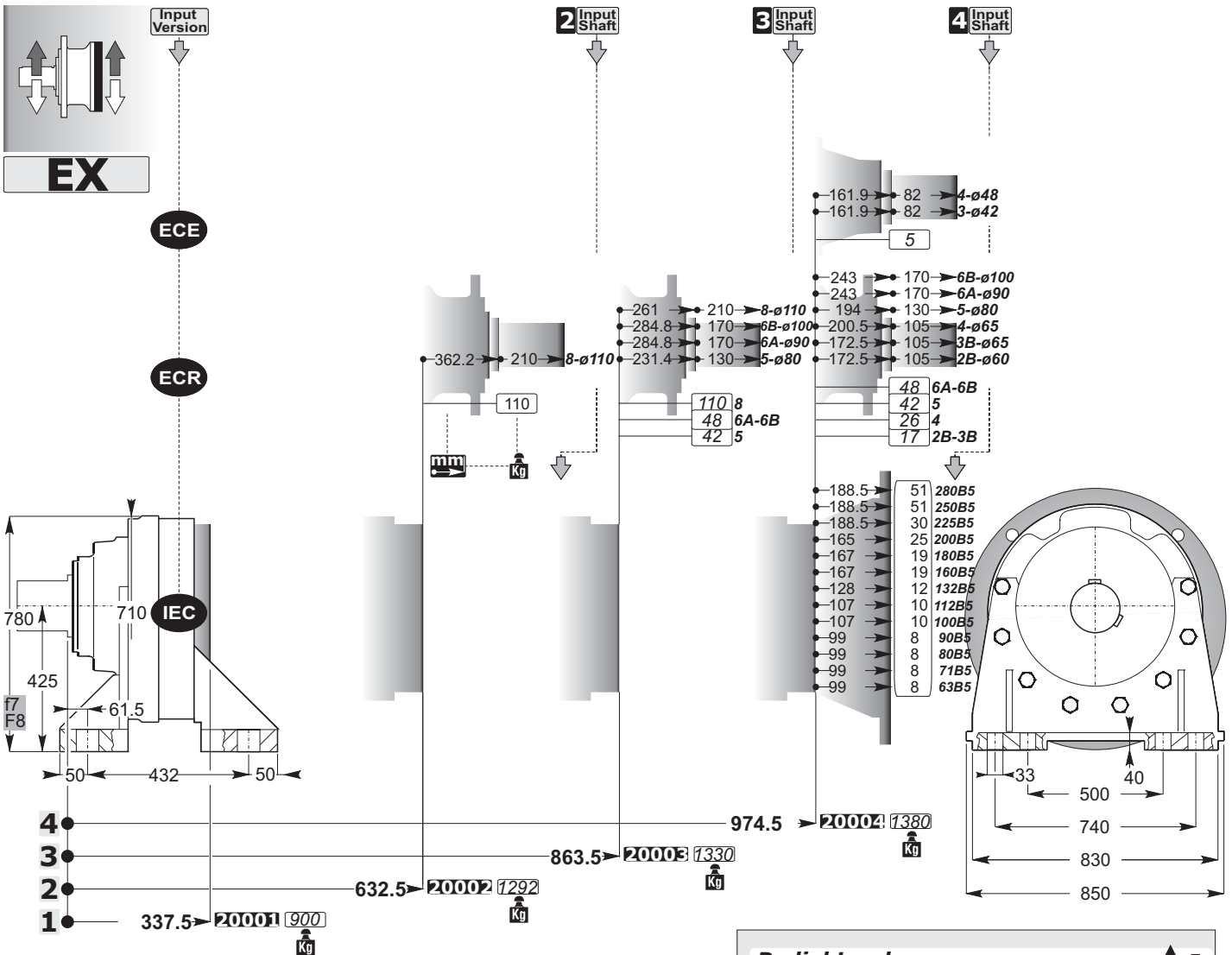


FF

ID

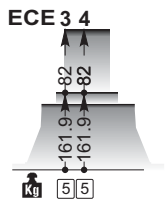
BD

Accessories



ECE

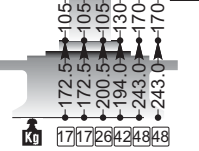
4 Input Shaft → ECE 3 4



Input Version

ECR

→ ECR 2 3 4 5 6 6 B

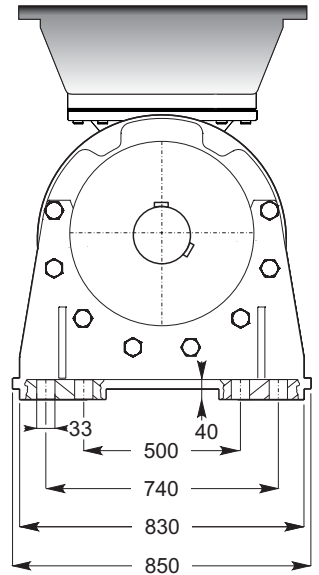
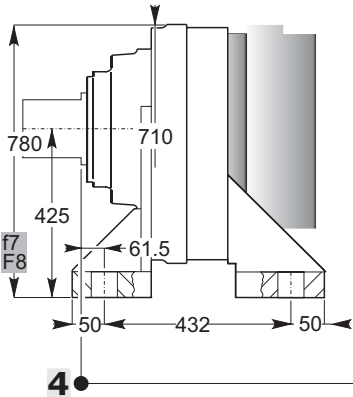
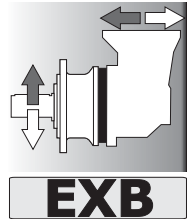


IEC

63B5
71B5
90B5
100B5
112B5
132B5
160B5
188B5
225B5
250B5
280B5

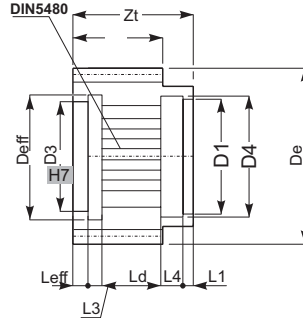
99
99
99
107
128
167
165
188.5
188.5
188.5

Kg 8 8 8 8 10 10 12 19 19 25 30 5 15 1
→ 1031.75 → 2000Z 1440 Kg



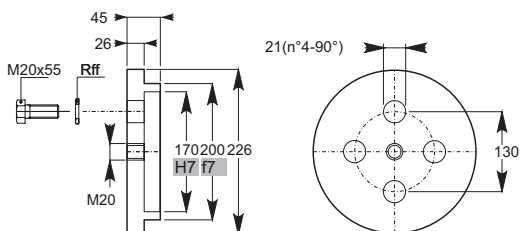
ID

N 200x5x30x38 9H
DIN5480



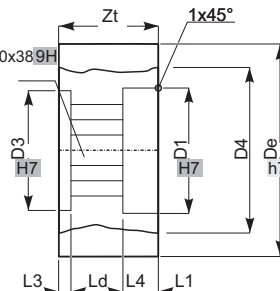
ID	m	Z	X	De

FF



BD

N200x5x30x38 9H
DIN5480



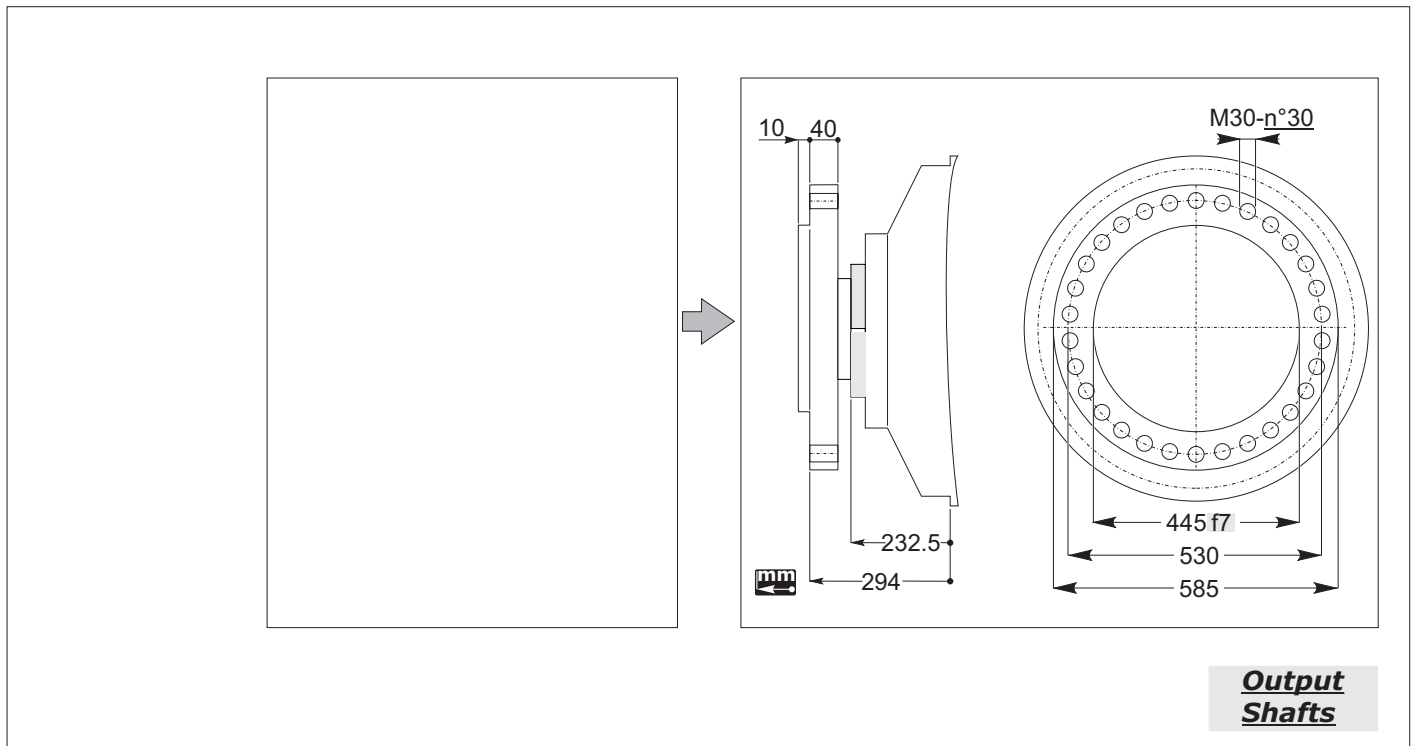
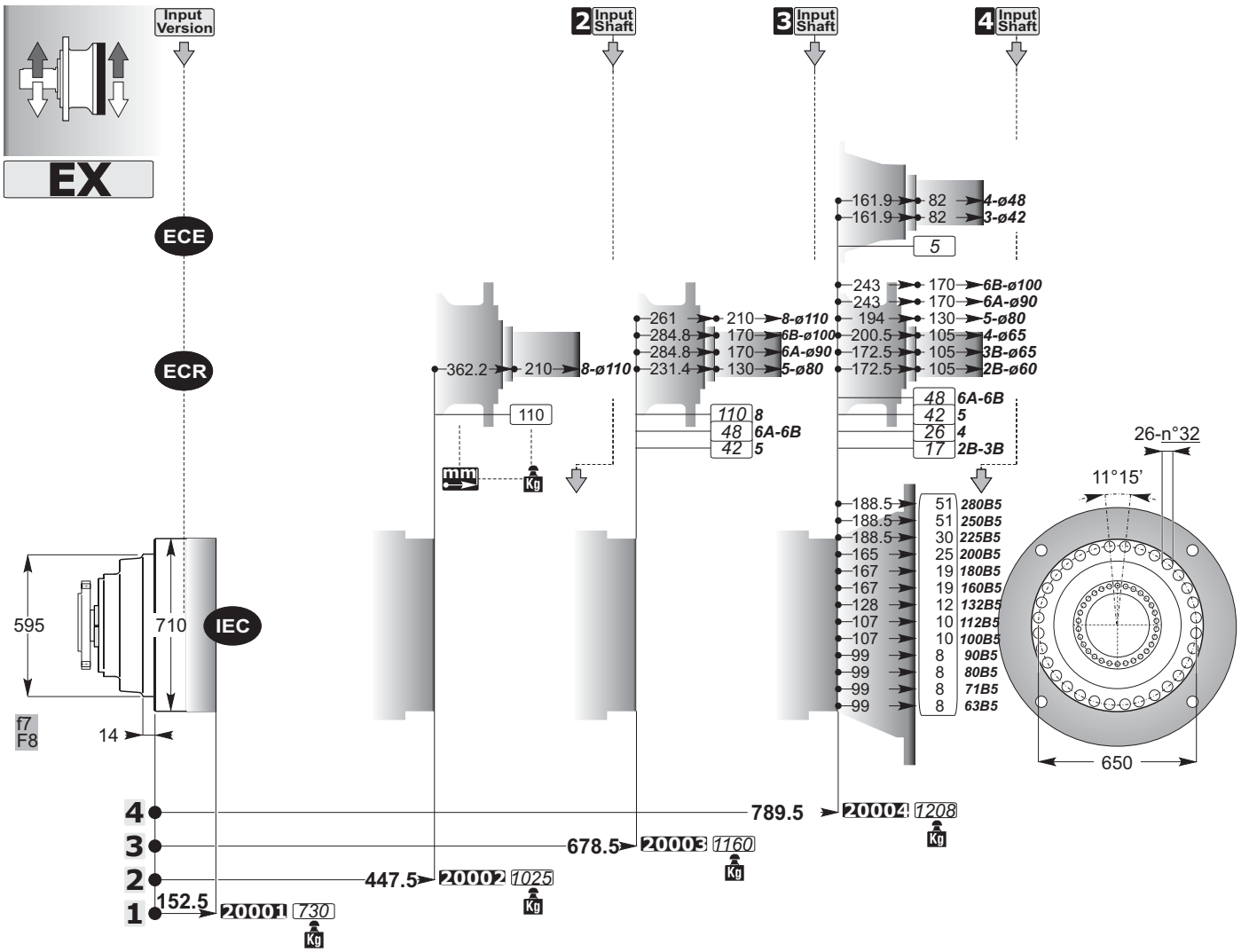
FF

ID

BD

Accessories

mm
C



ECE

4 Input Shaft →

ECE 3 4

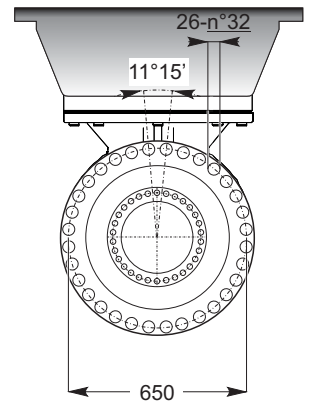
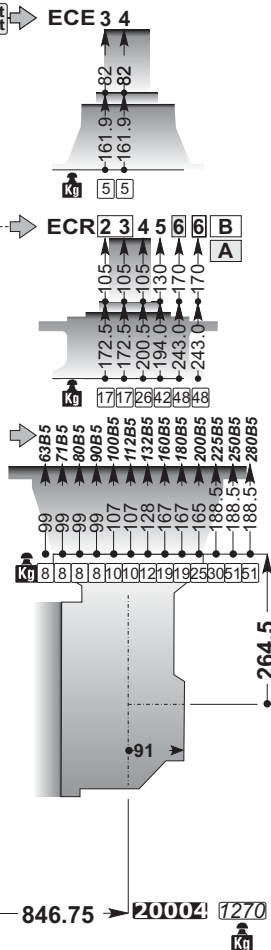
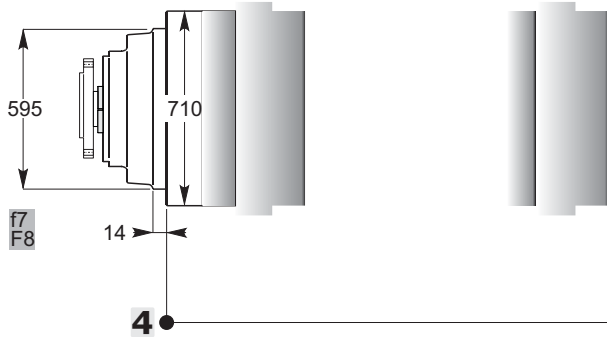
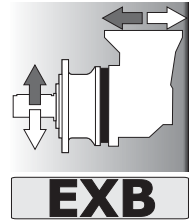
Input Version

ECR

→ ECR 2 3 4 5 6 6 B A

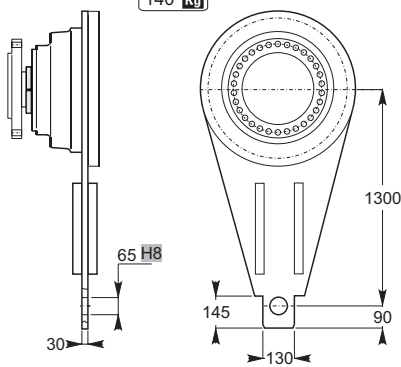
IEC

→



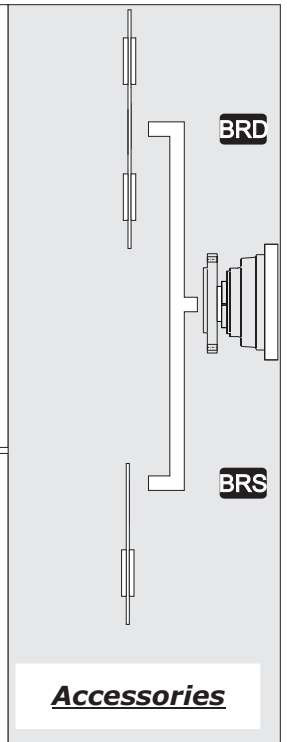
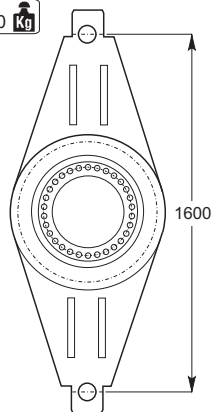
BRS

140 Kg



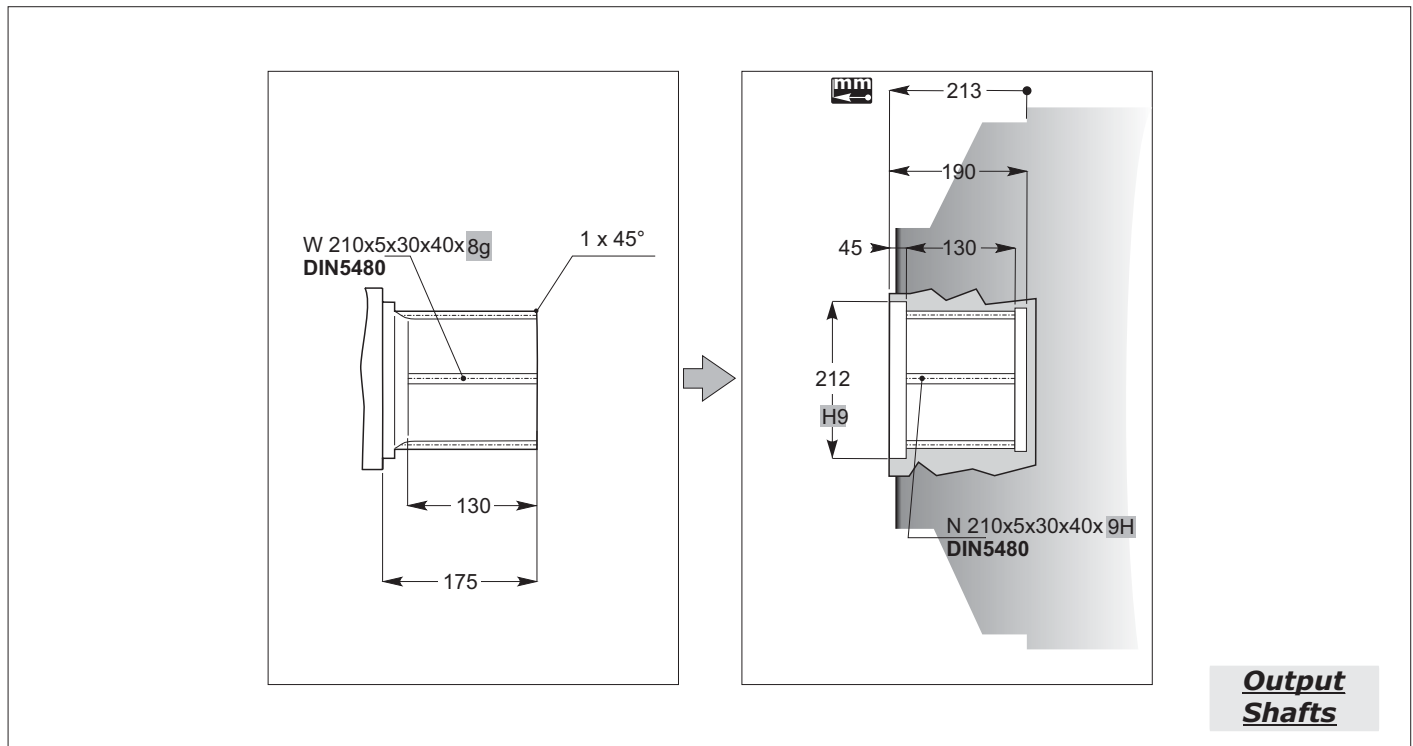
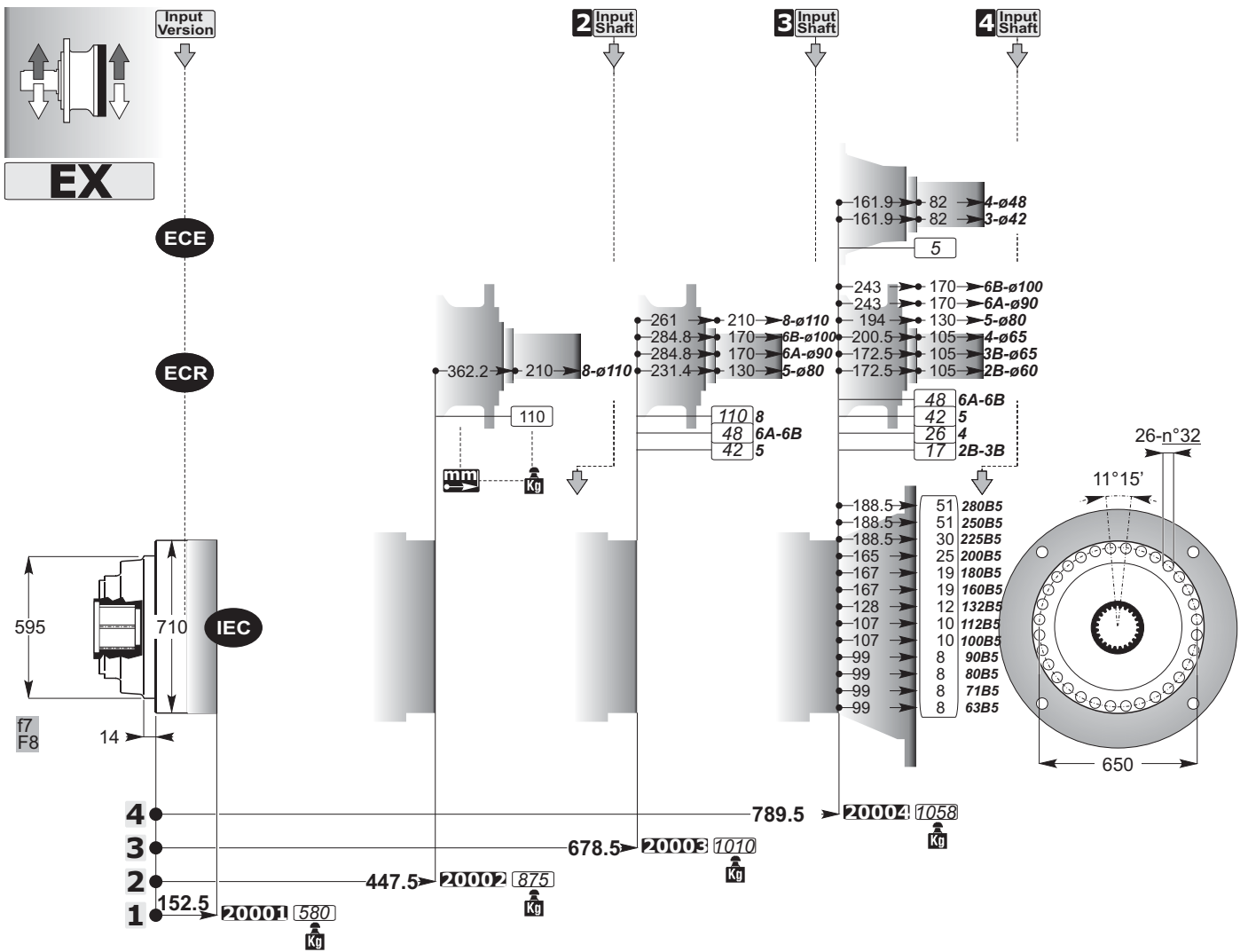
BRD

120 Kg



Accessories

mm
C



ECE

4 Input Shaft

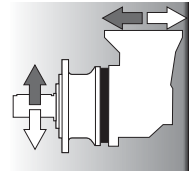
ECE 3 4

Input Version

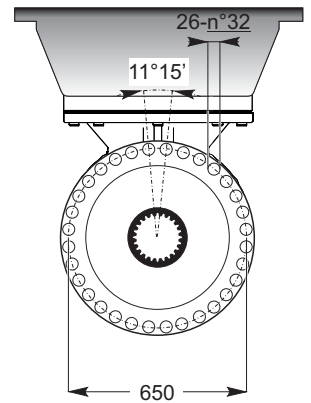
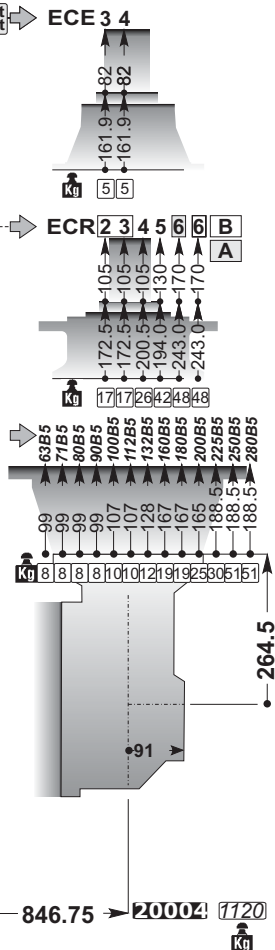
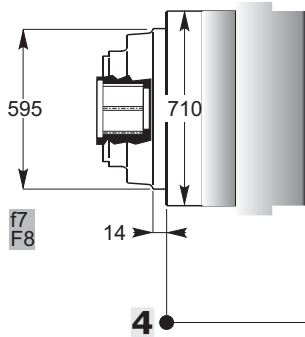
ECR

ECR 2 3 4 5 6 6 B A

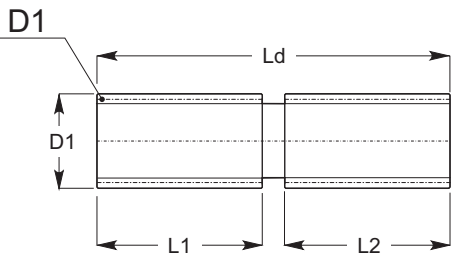
IEC



EXB



SD



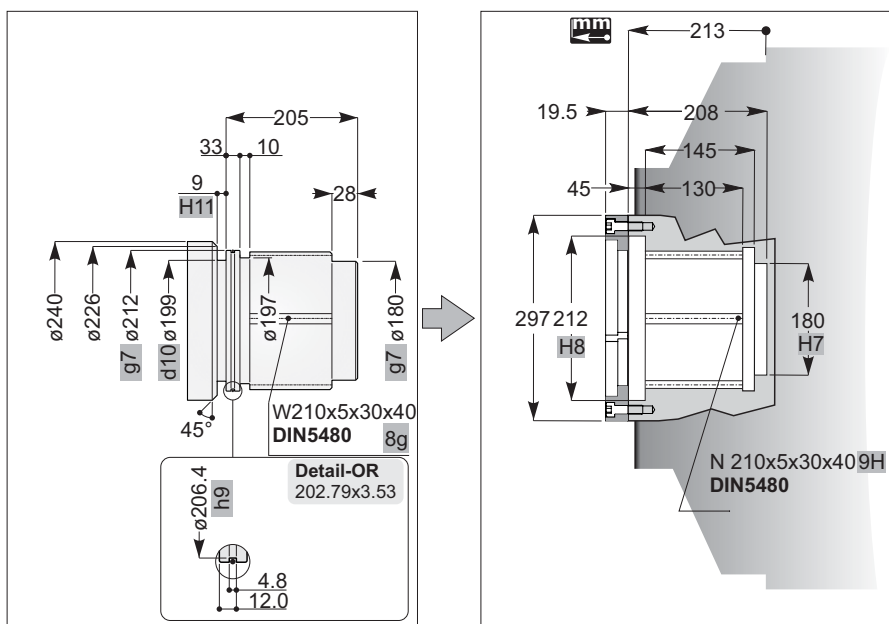
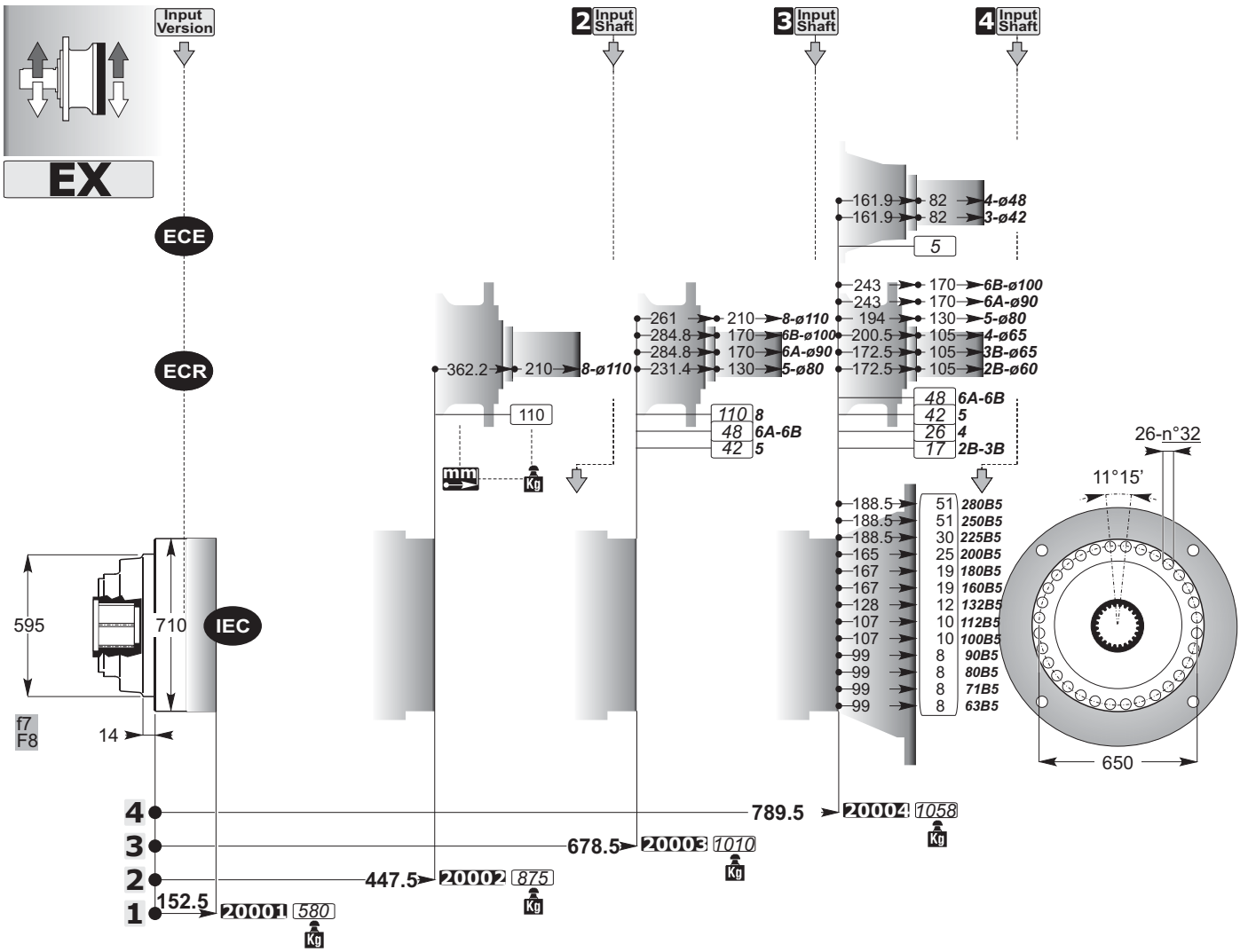
On request

SD



Accessories

mm
C



Output Shafts

ECE

4 Input Shaft

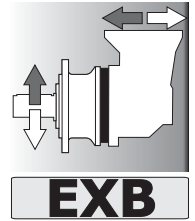
ECE 3 4

Input Version

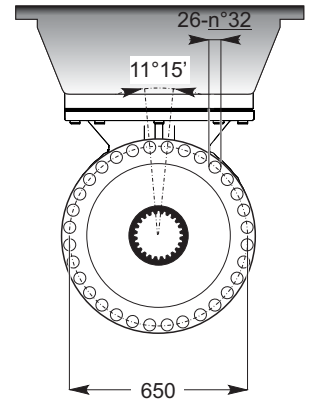
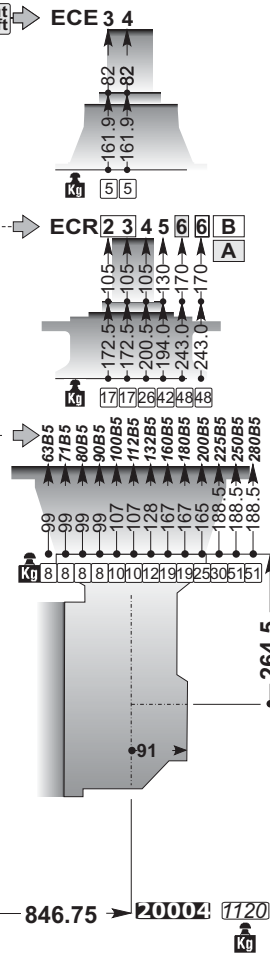
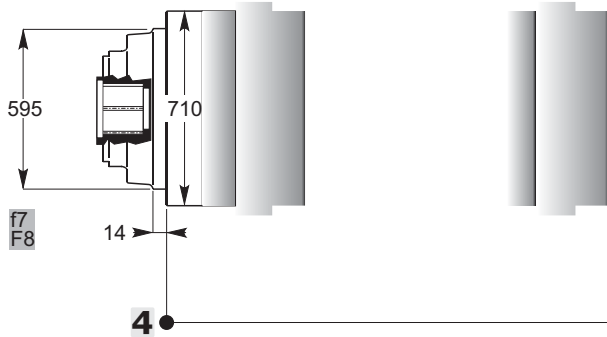
ECR

ECR 2 3 4 5 6 6 B A

IEC

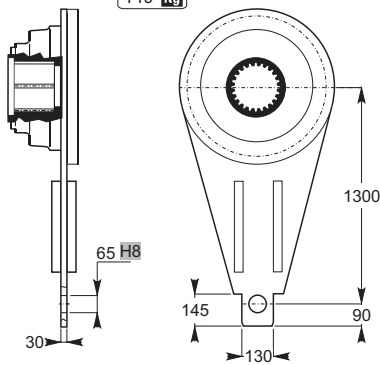


EXB



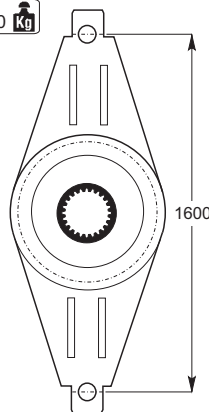
BRS

140 Kg



BRD

120 Kg



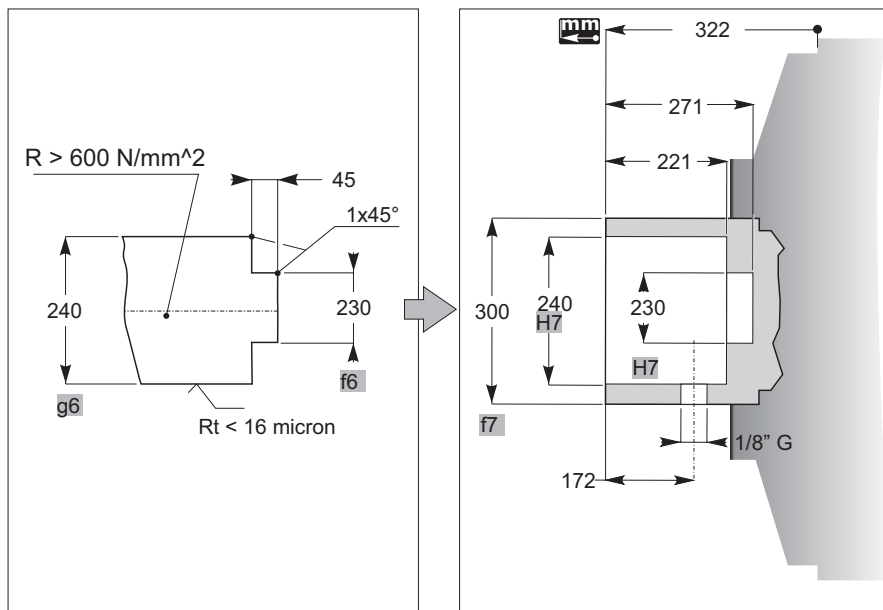
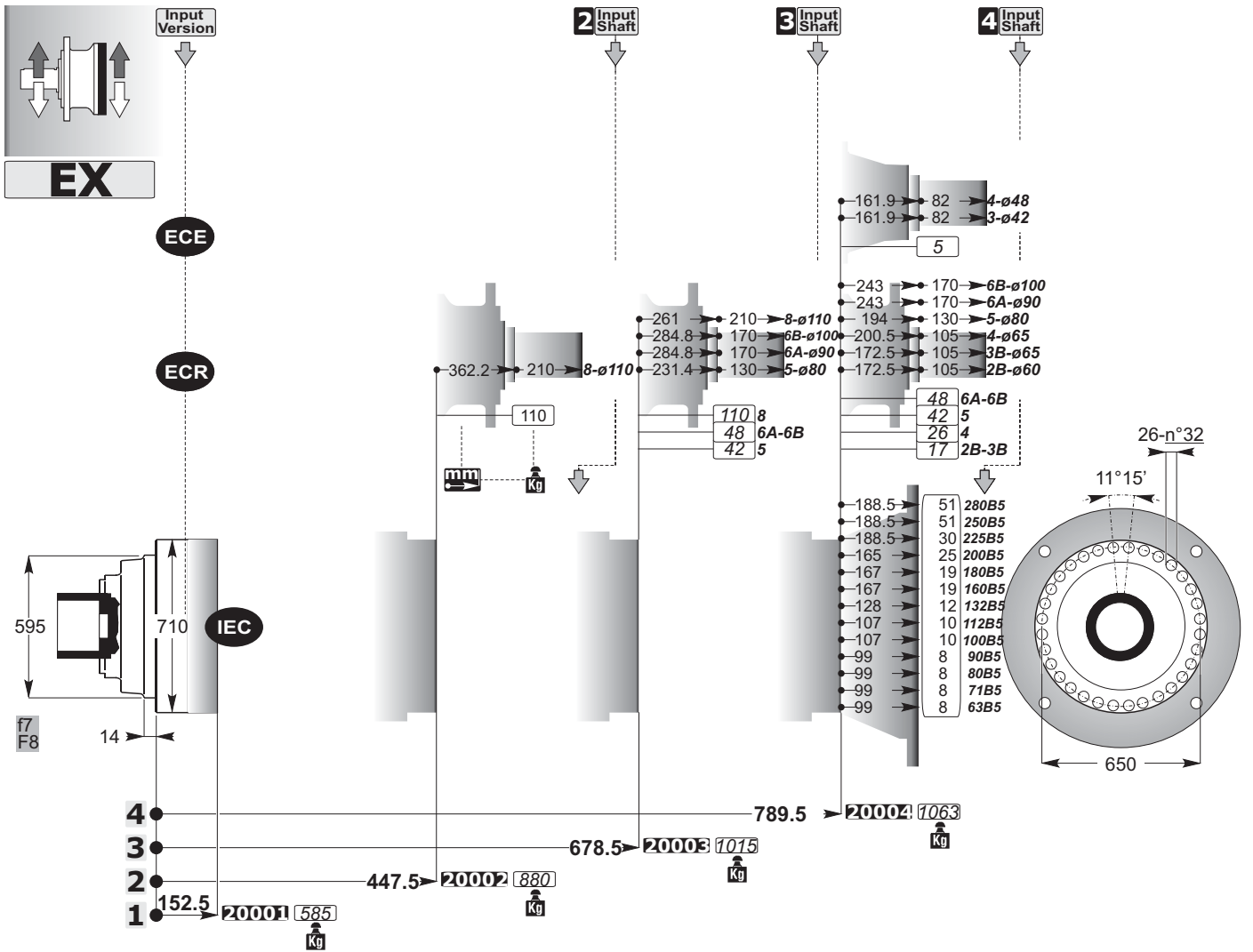
mm

C

BRD

BRS

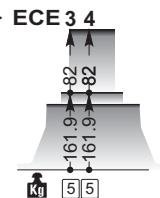
Accessories



Output Shafts

ECE

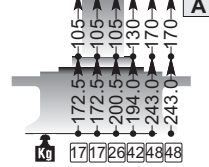
4 Input Shaft → ECE 3 4



Input Version

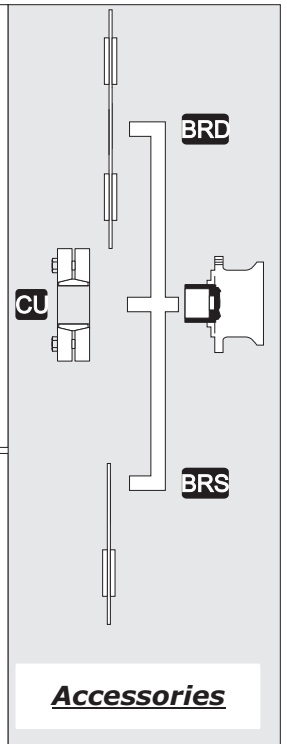
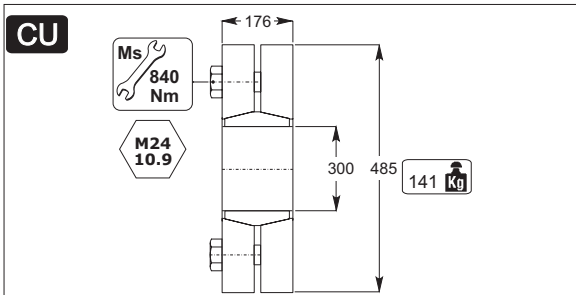
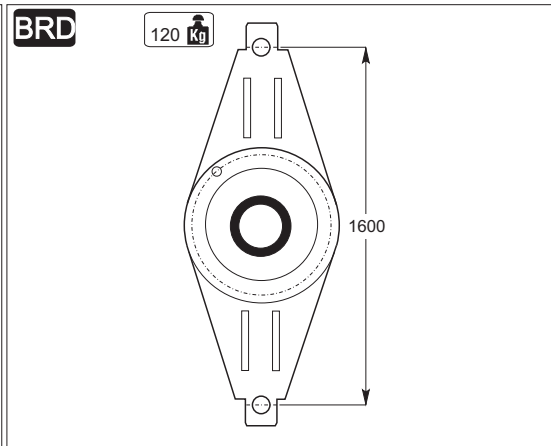
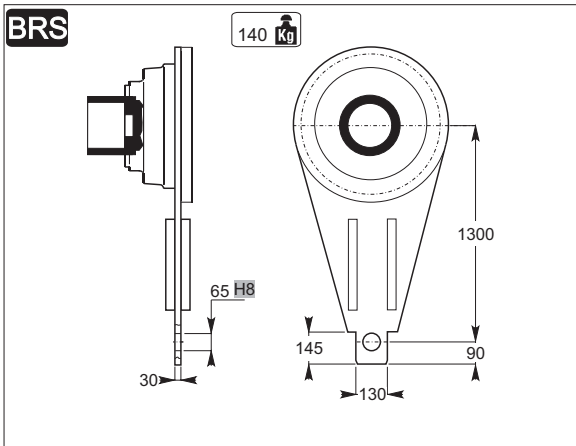
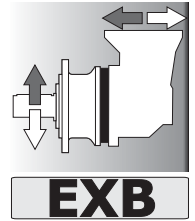
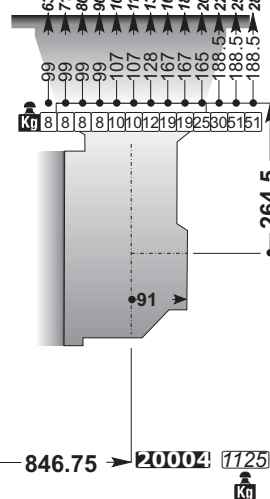
ECR

→ ECR 2 3 4 5 6 6 B A



IEC

→ IEC 63B5 71B5 80B5 100B5 112B5 132B5 160B5 167 188.5 200B5 225B5 250B5 280B5



mm
C