

ECE

4 Input Shaft → ECE 1 2 3 4 5 B

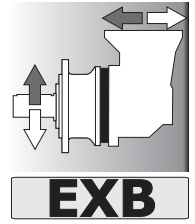
Input Version

ECR

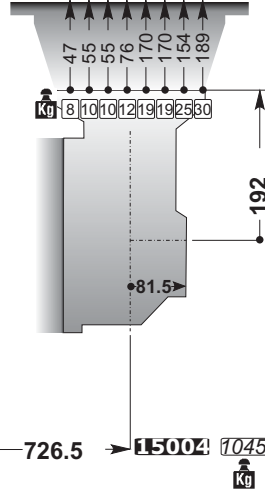
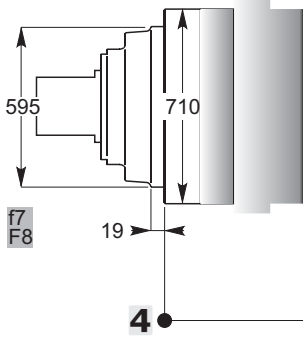
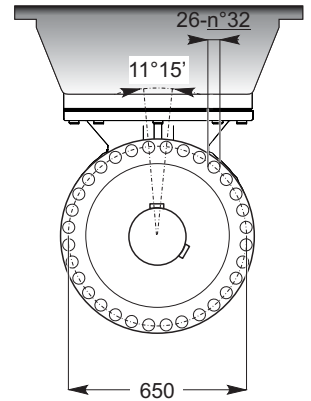
→ ECR 0 1 2 3 4 B

IEC

→



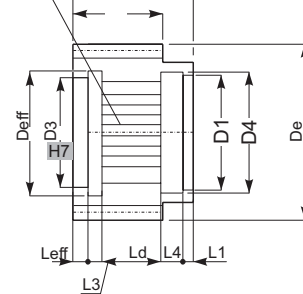
EXB



ID

N 200x5x30x38 9H

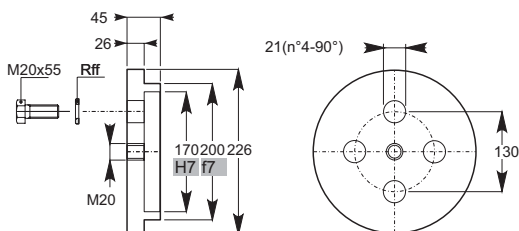
DIN5480



ID	m	Z	X	De

On request

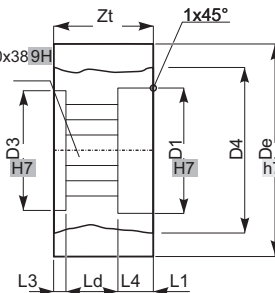
FF



BD

N200x5x30x38 9H

DIN5480



On request

FF

ID



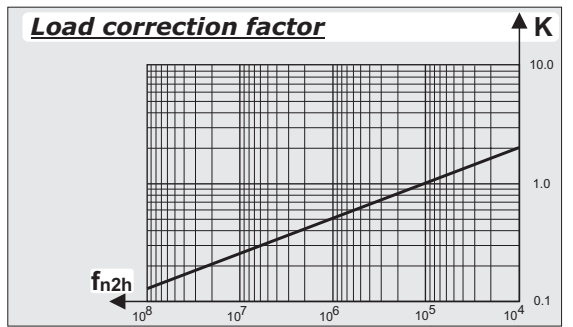
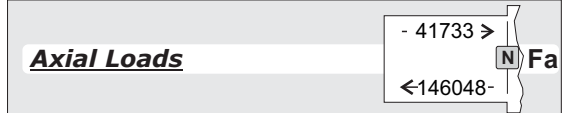
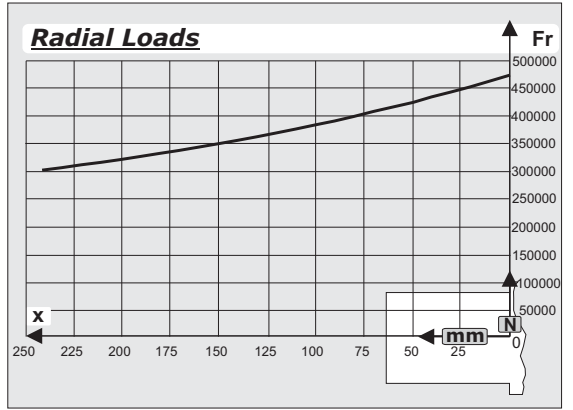
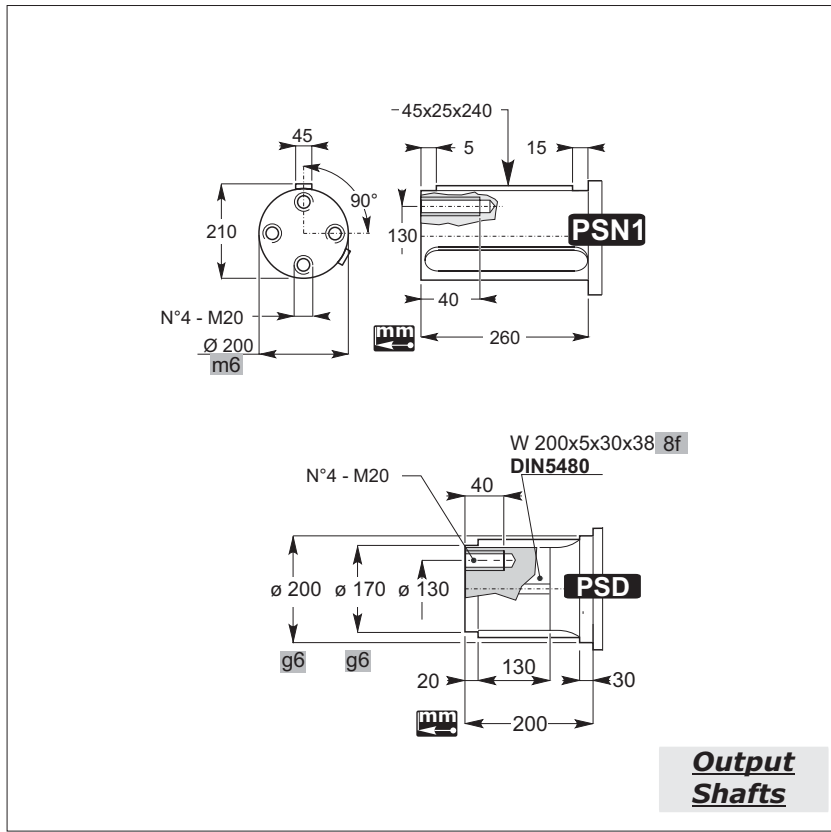
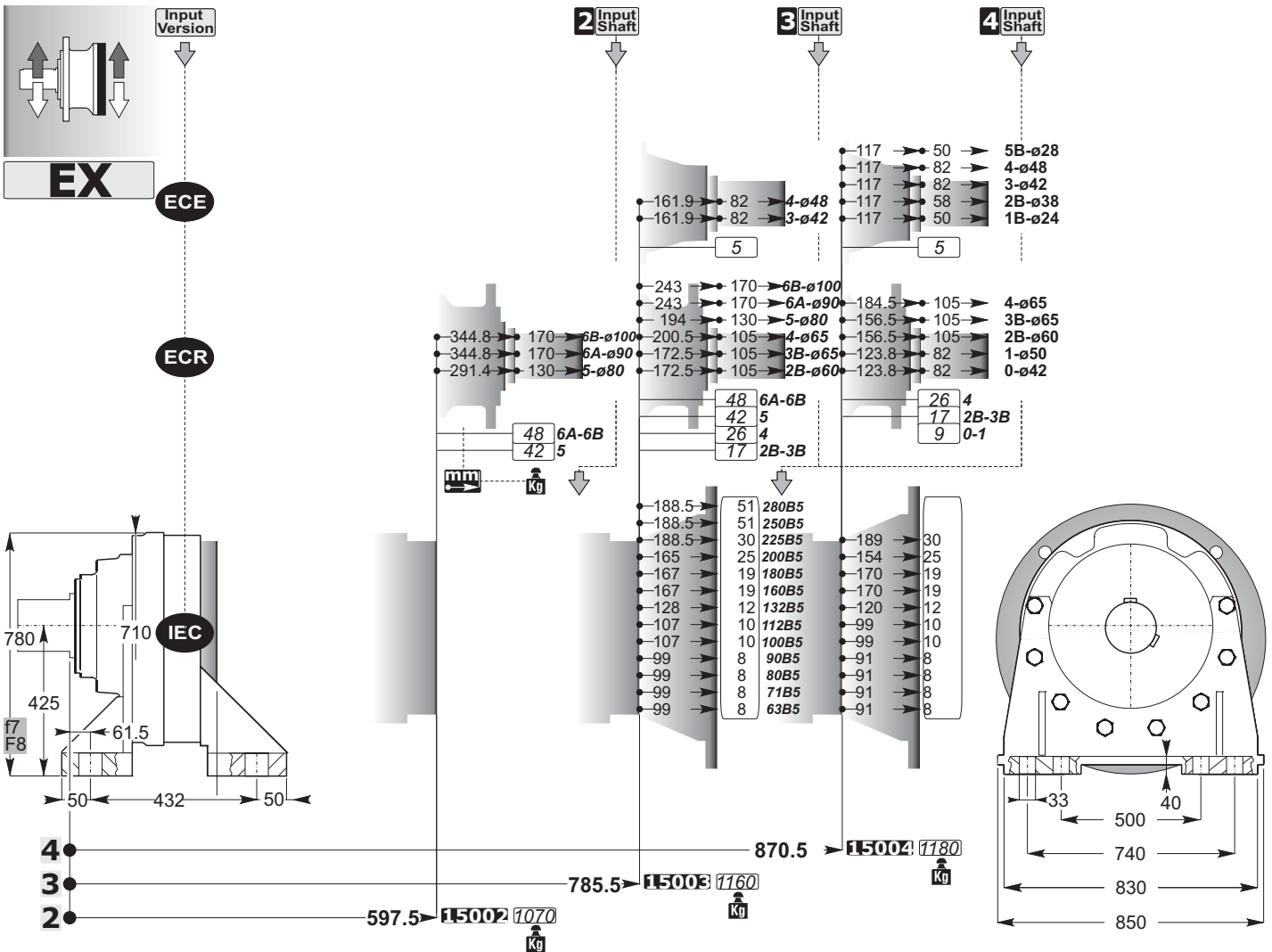
BD



Accessories

mm

C



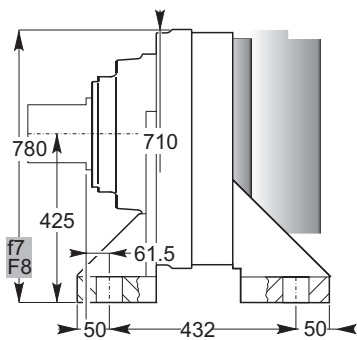
ECE

4 Input Shaft

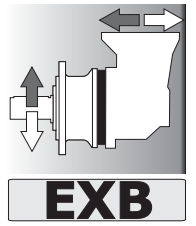
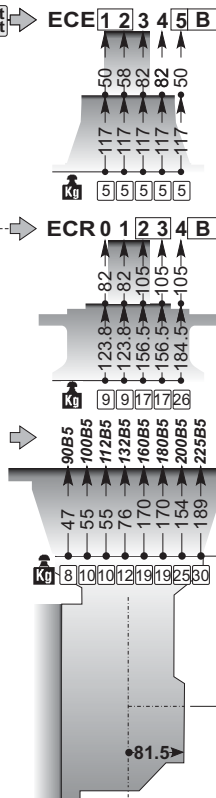
Input Version

ECR

IEC

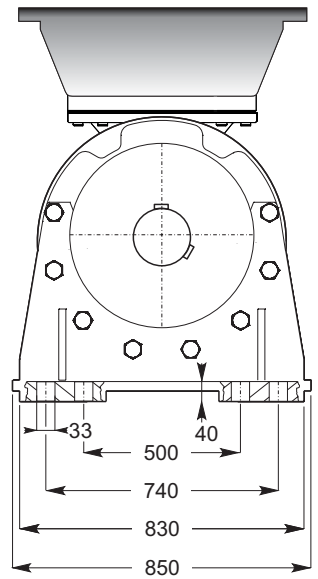


4



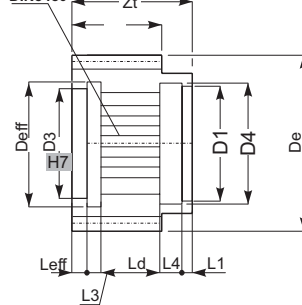
EXB

911.5 1500 1215 kg



ID

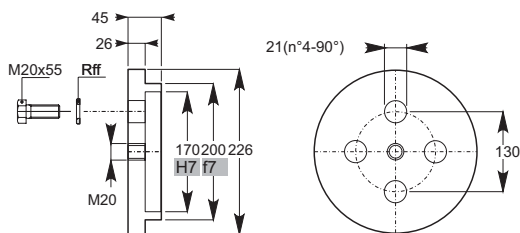
N 200x5x30x38 9H DIN5480



ID	m	Z	X	De

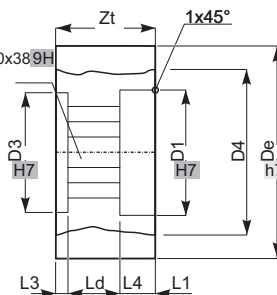
On request

FF

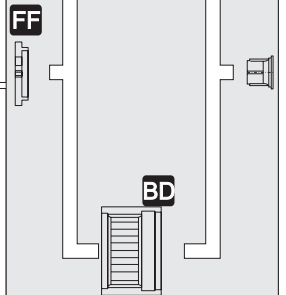


BD

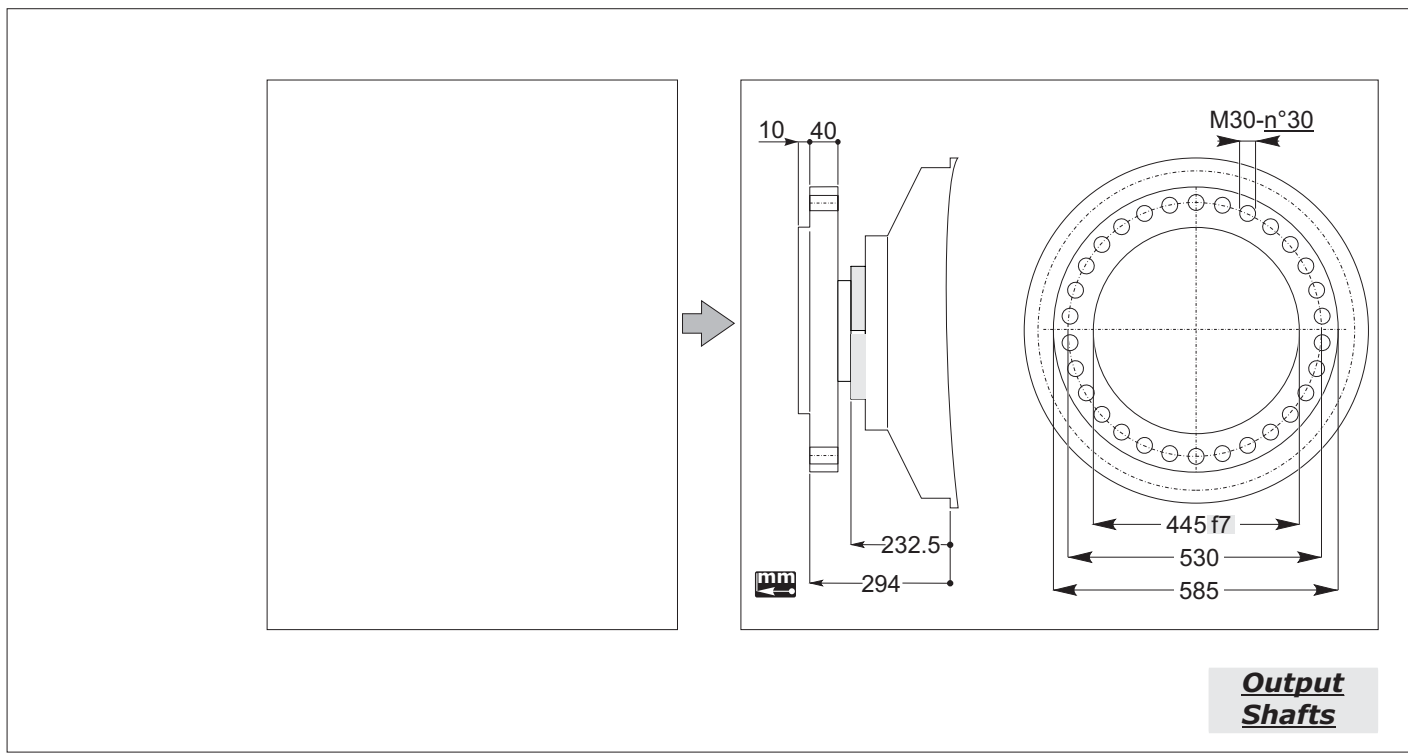
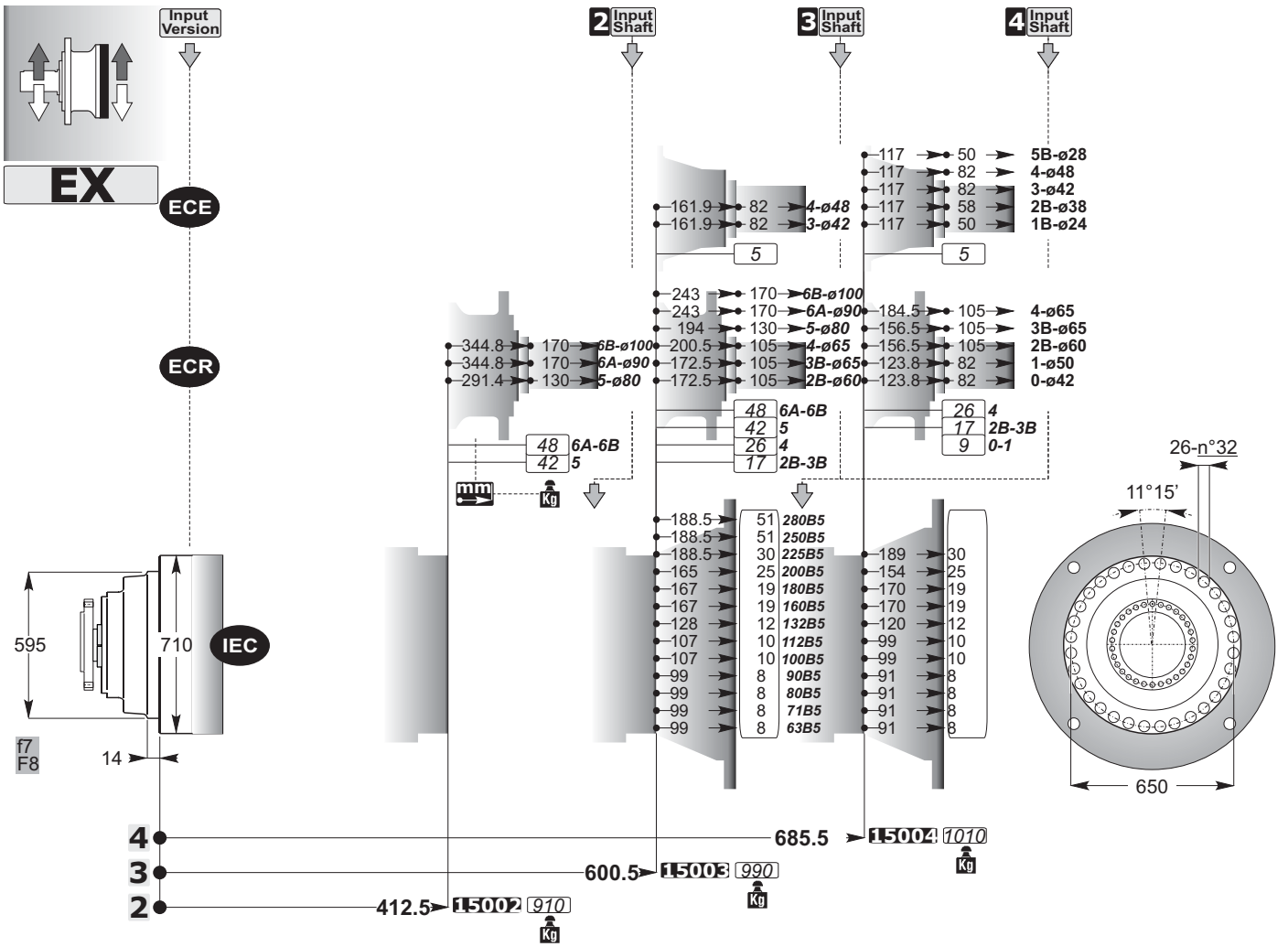
N200x5x30x38 9H DIN5480



On request



Accessories



ECE

4 Input Shaft → ECE 1 2 3 4 5 B

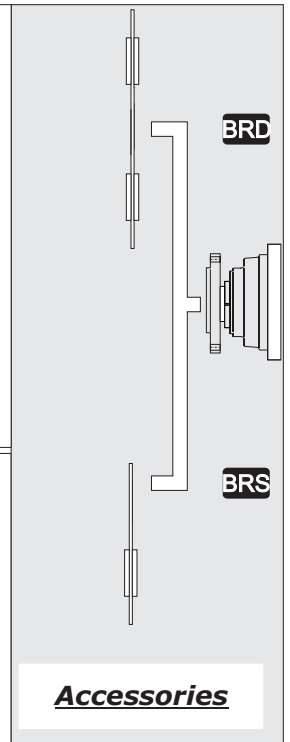
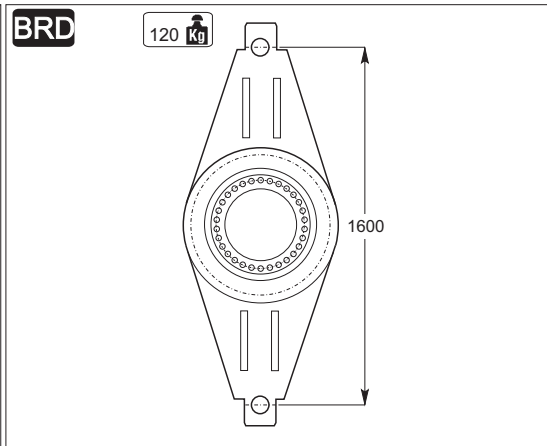
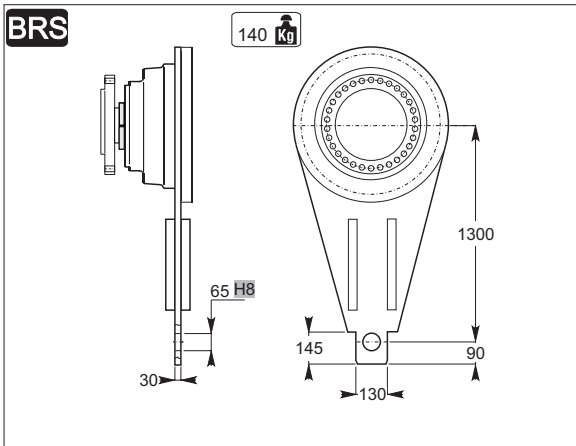
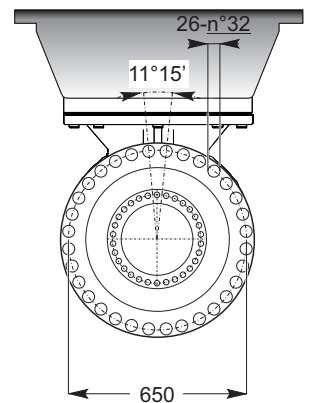
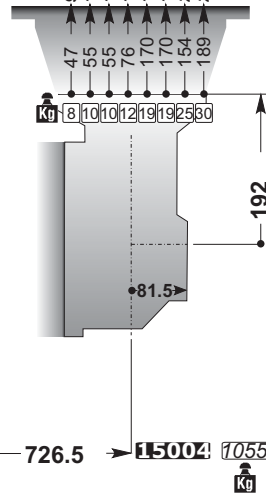
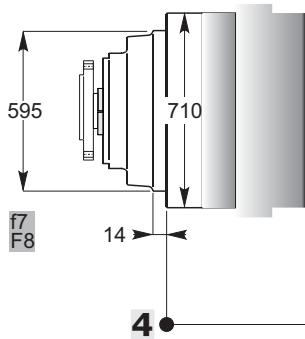
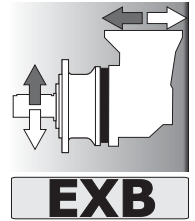
Input Version

ECR

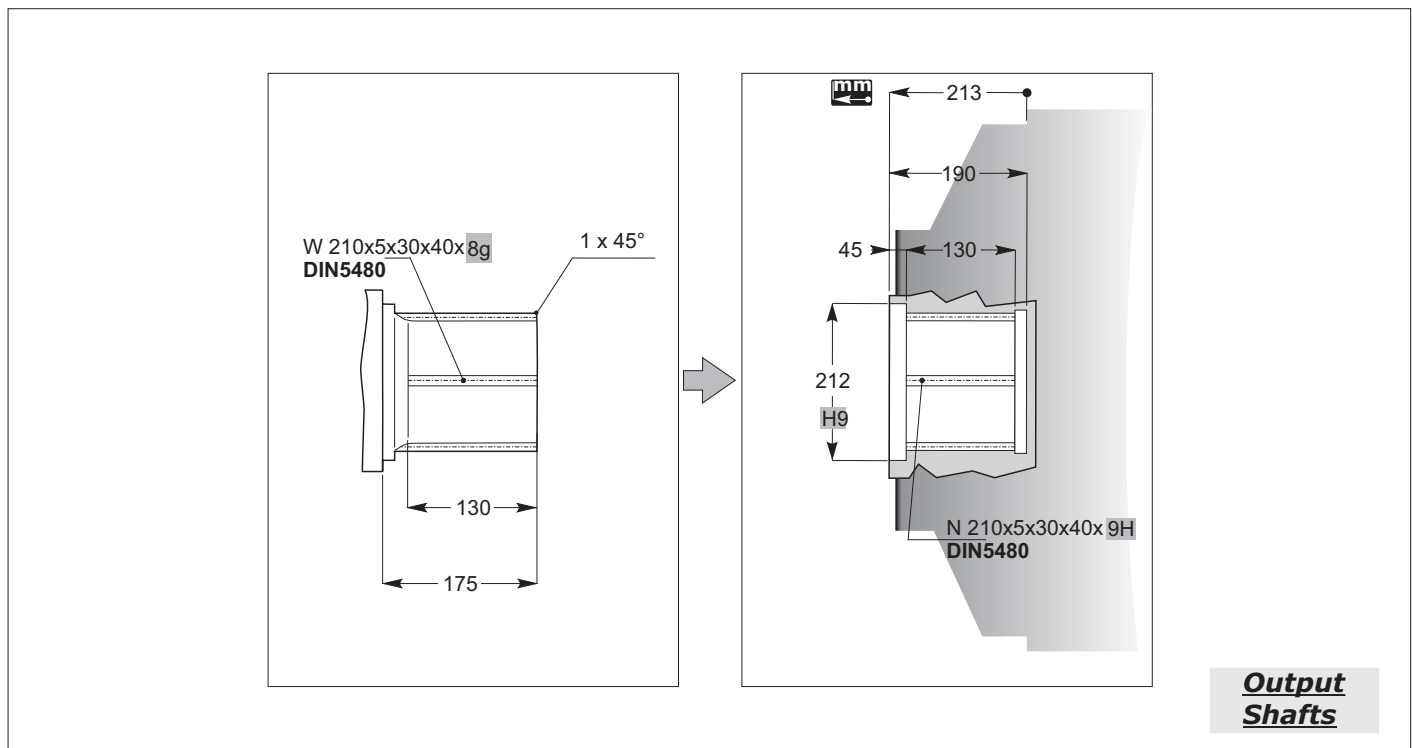
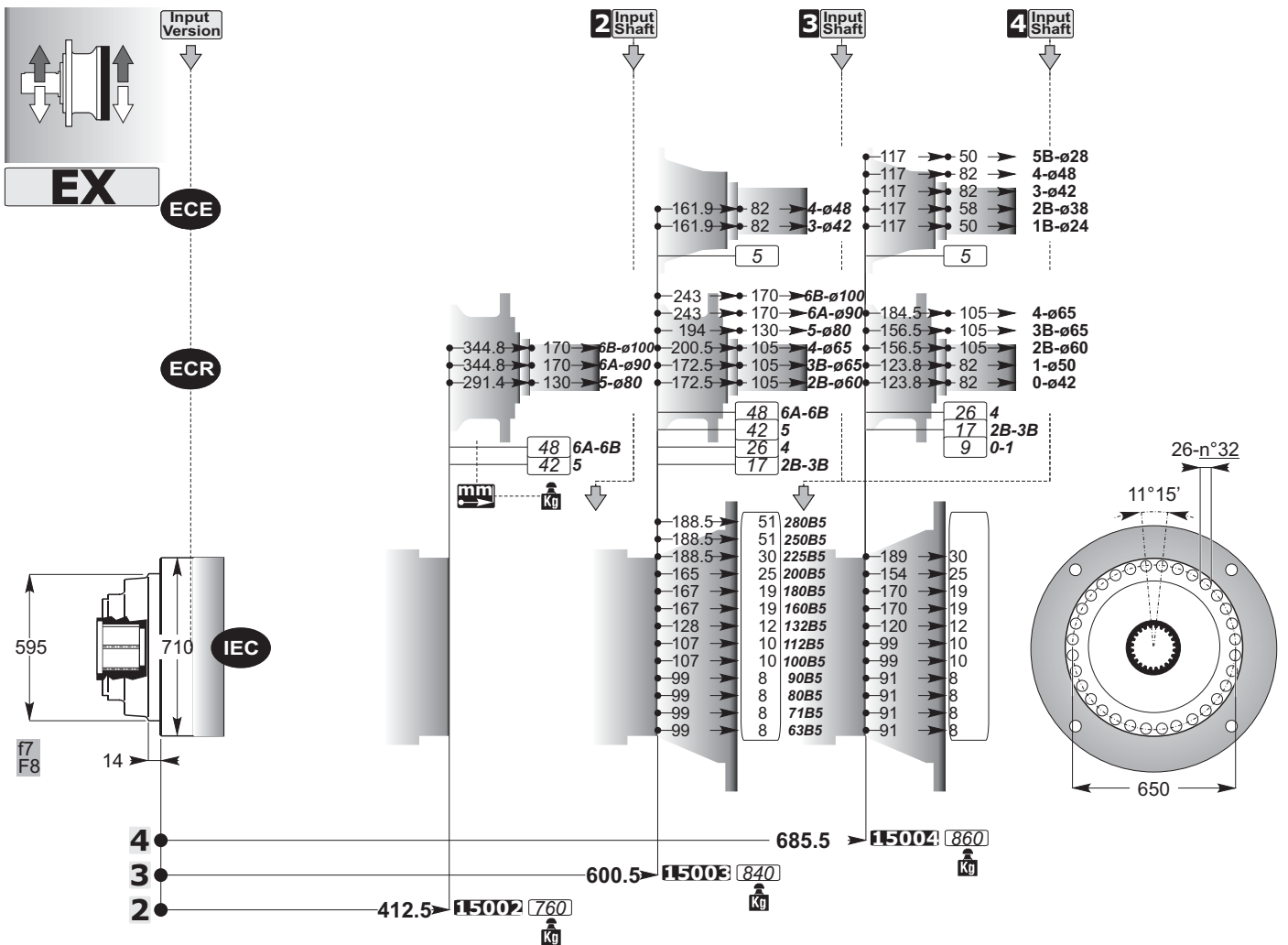
→ ECR 0 1 2 3 4 B

IEC

→



mm
C



ECE

4 Input Shaft → ECE 1 2 3 4 5 B

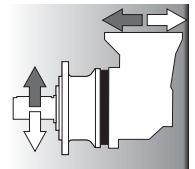
Input Version

ECR

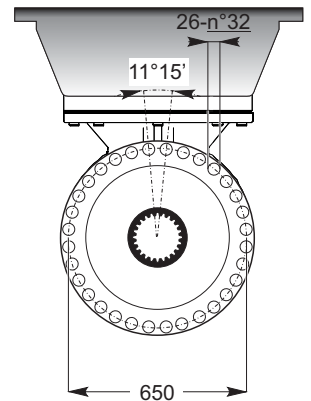
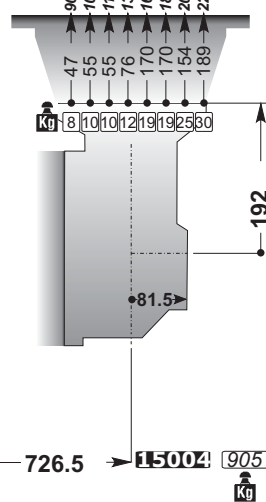
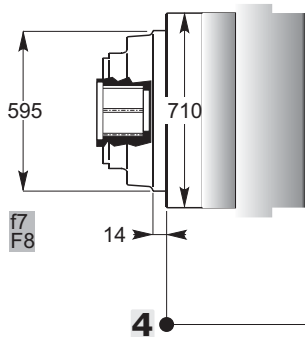
→ ECR 0 1 2 3 4 B

IEC

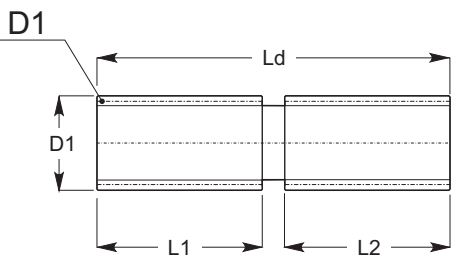
→



EXB



SD



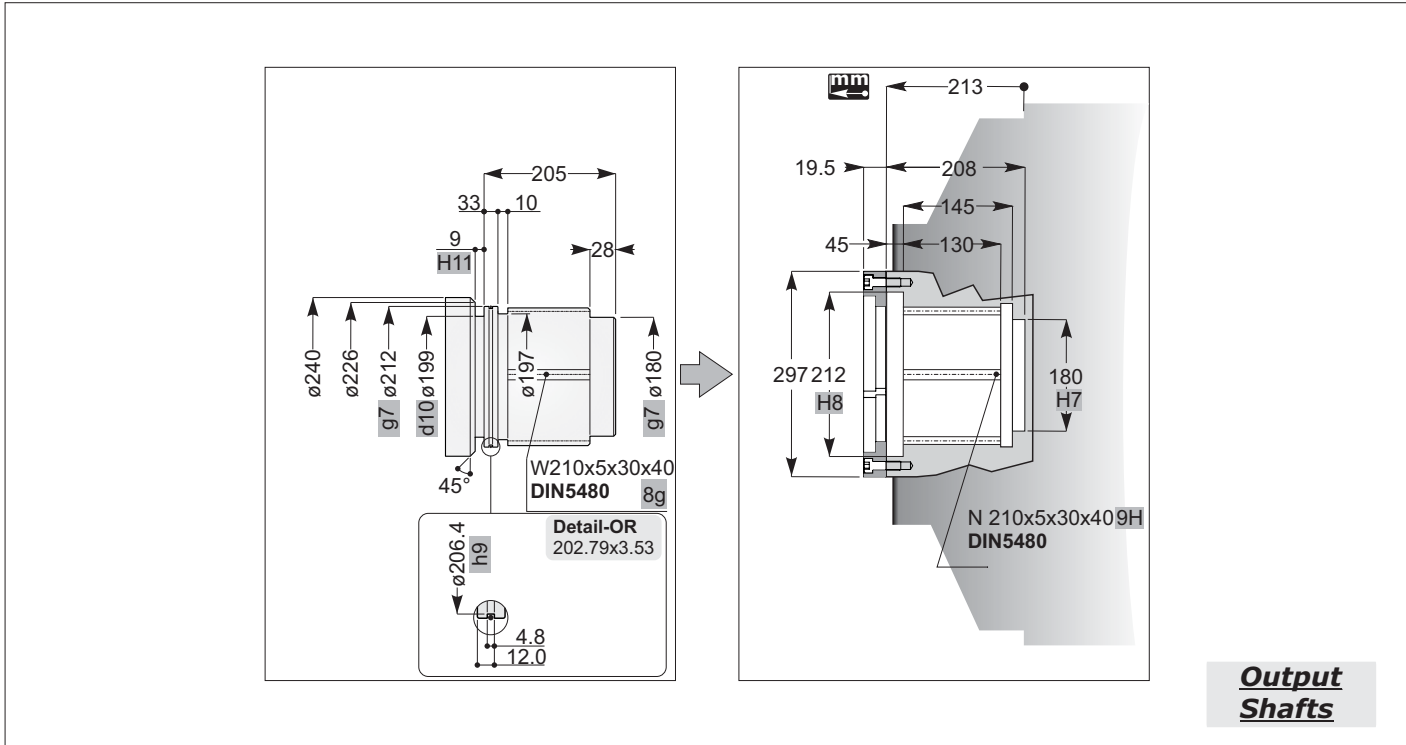
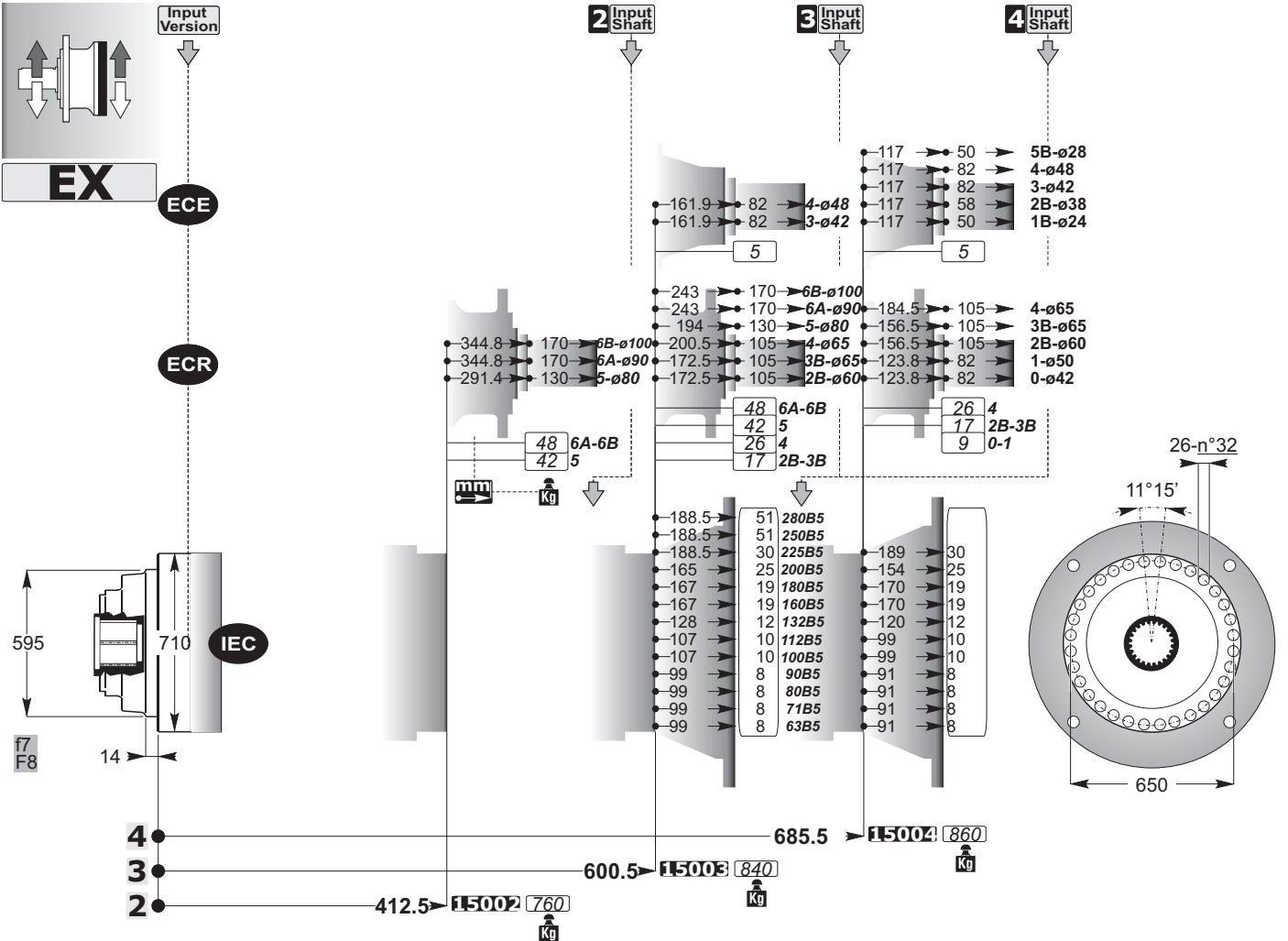
On request

SD



Accessories

mm
C



ECE

4 Input Shaft → ECE 1 2 3 4 5 B

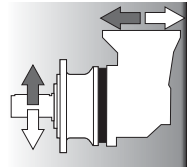
Input Version

ECR

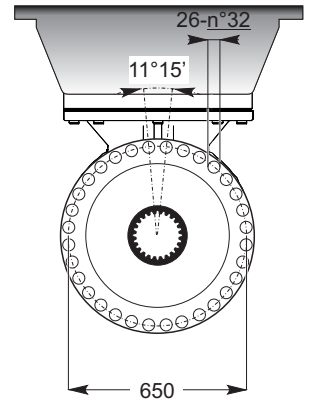
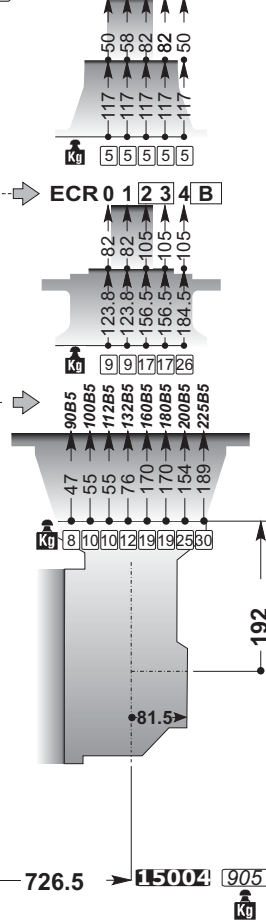
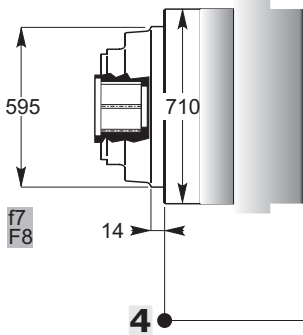
→ ECR 0 1 2 3 4 B

IEC

→

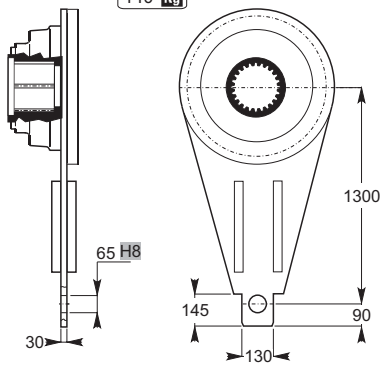


EXB



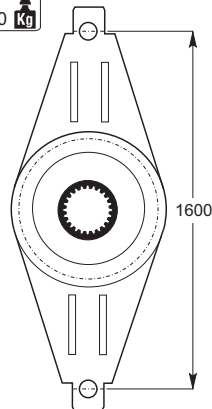
BRS

140 kg



BRD

120 kg

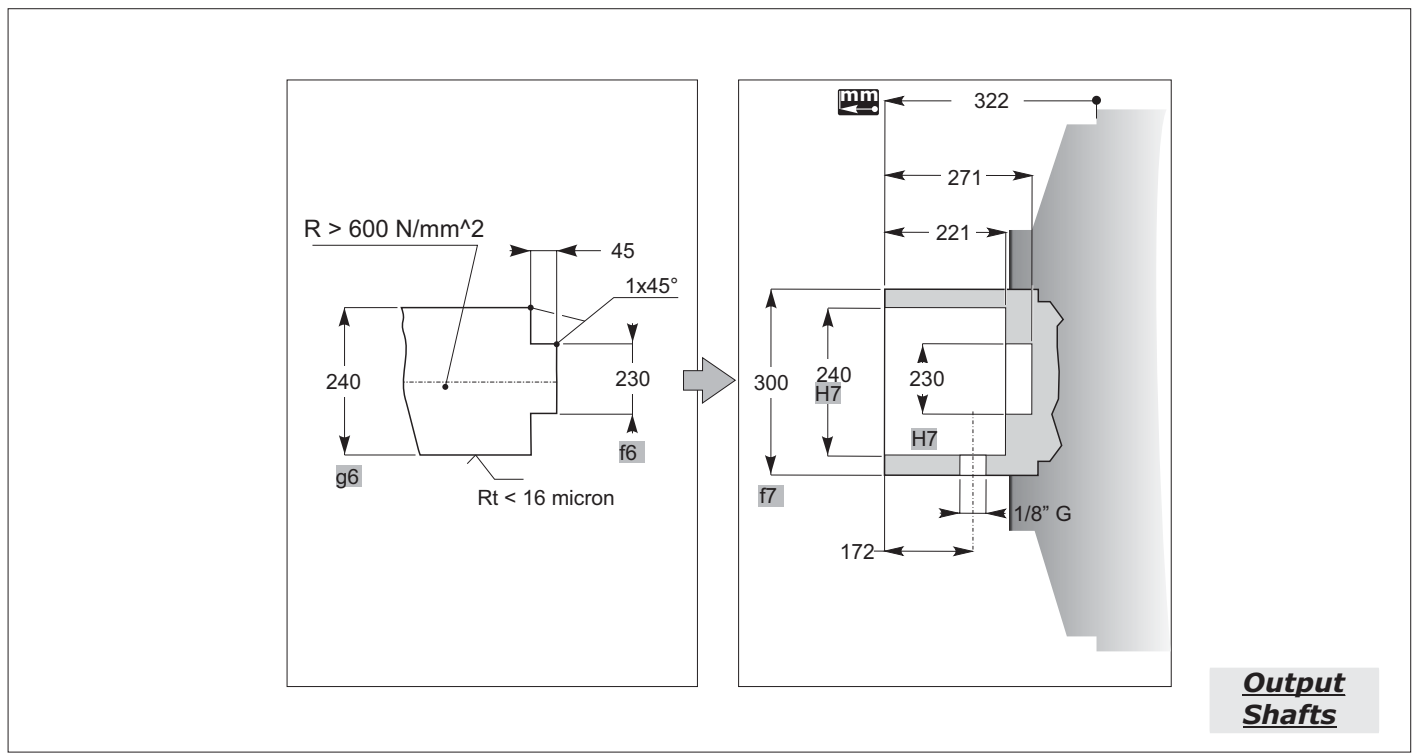
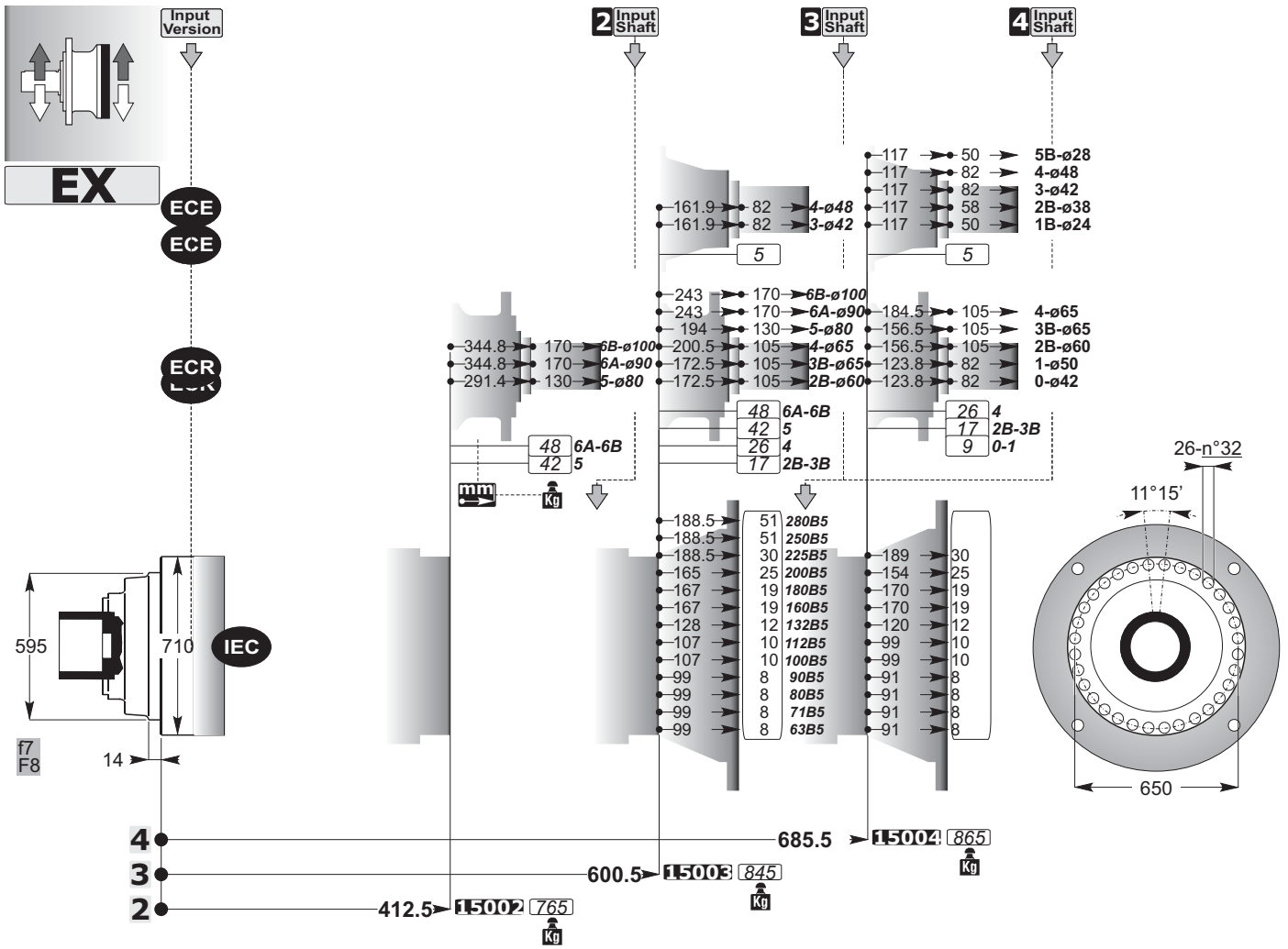


mm
C

BRD

BRS

Accessories



ECE

4 Input Shaft → ECE 1 2 3 4 5 B

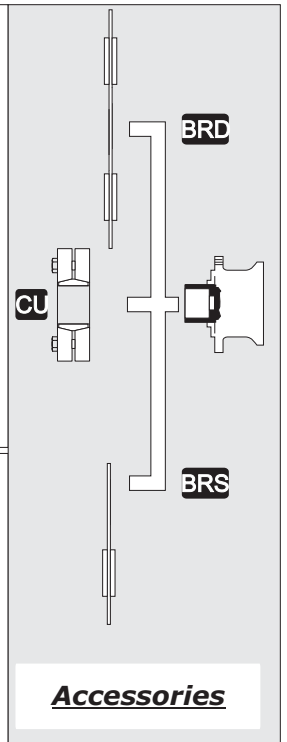
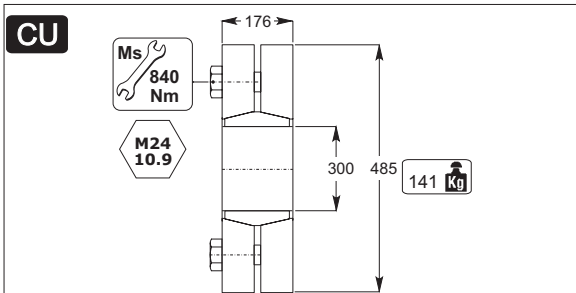
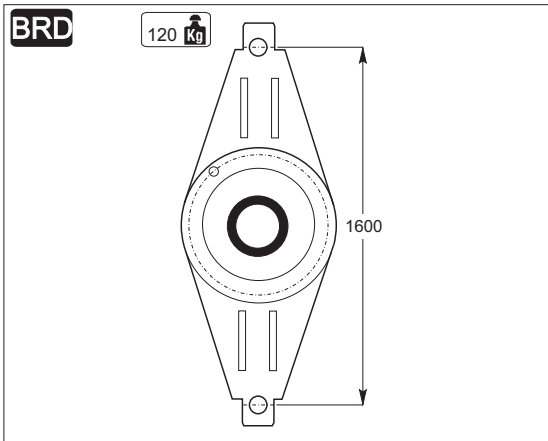
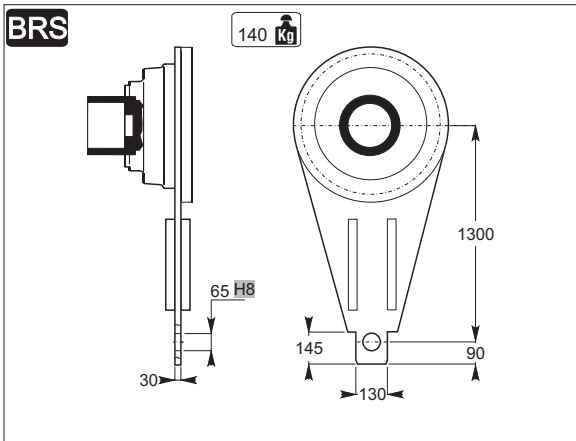
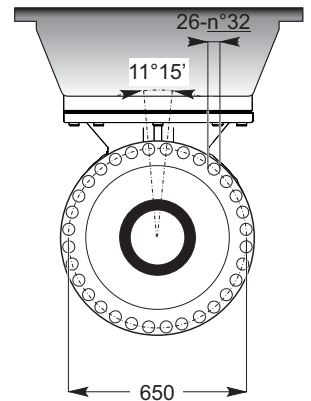
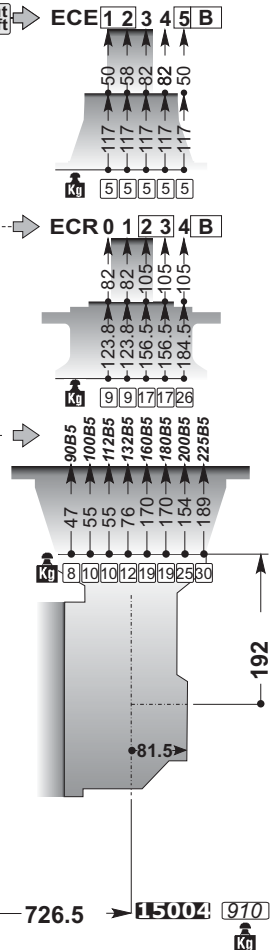
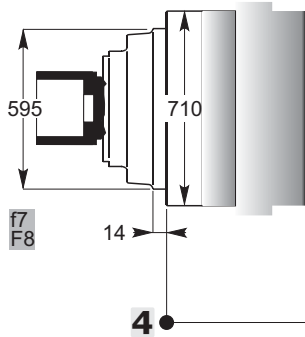
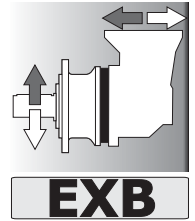
Input Version

ECR

→ ECR 0 1 2 3 4 B

IEC

→



mm
C