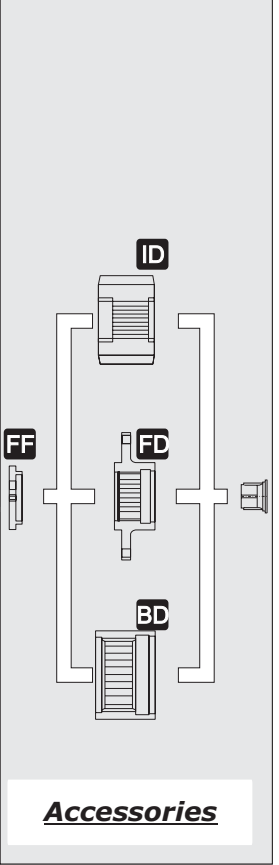
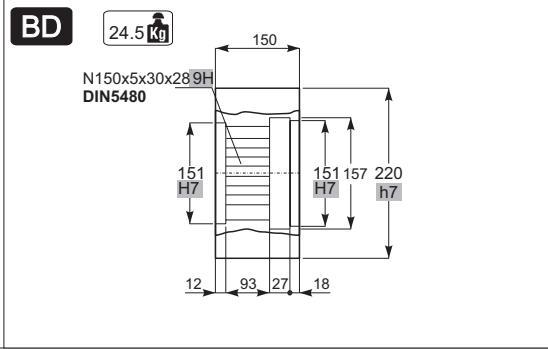
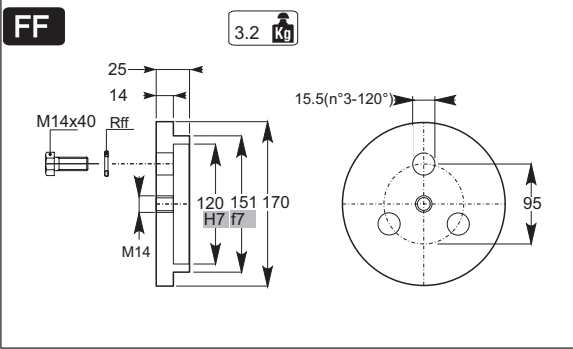
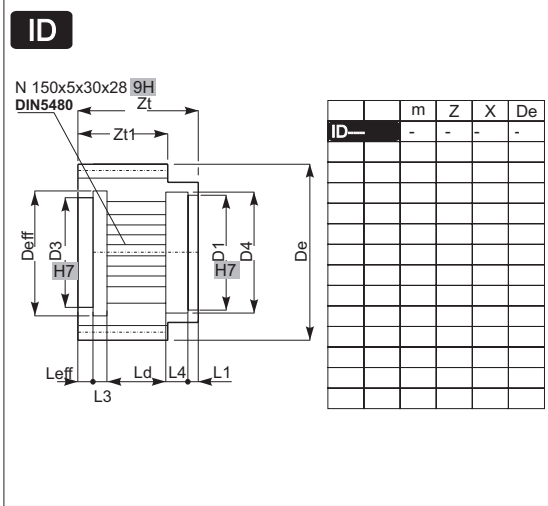
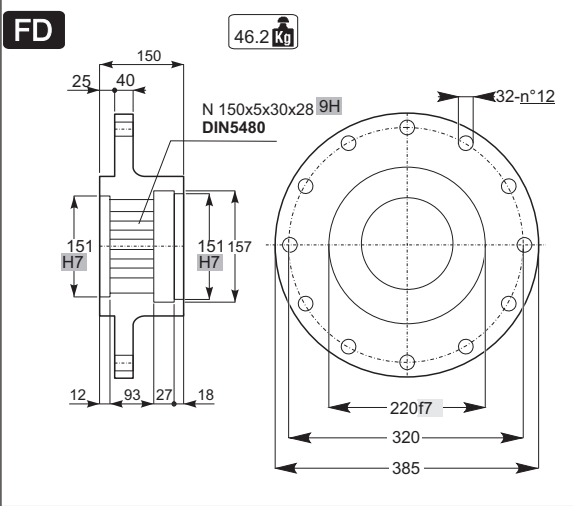
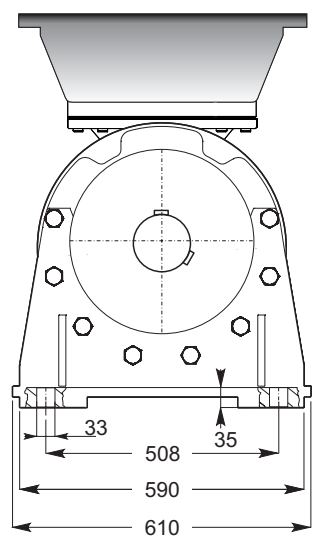
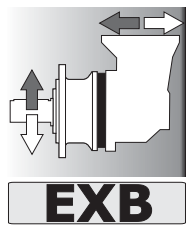
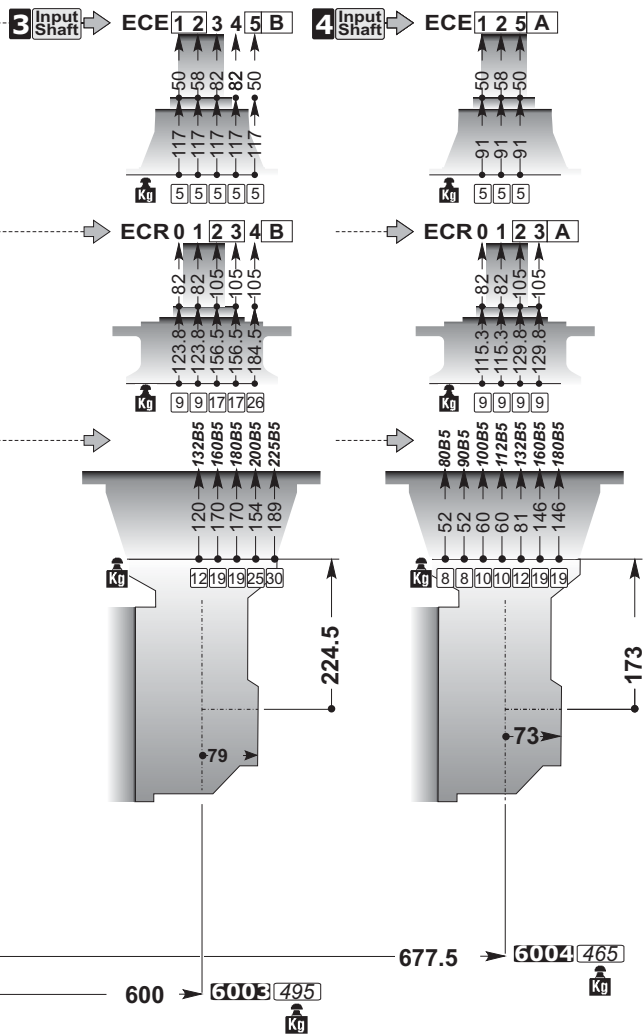
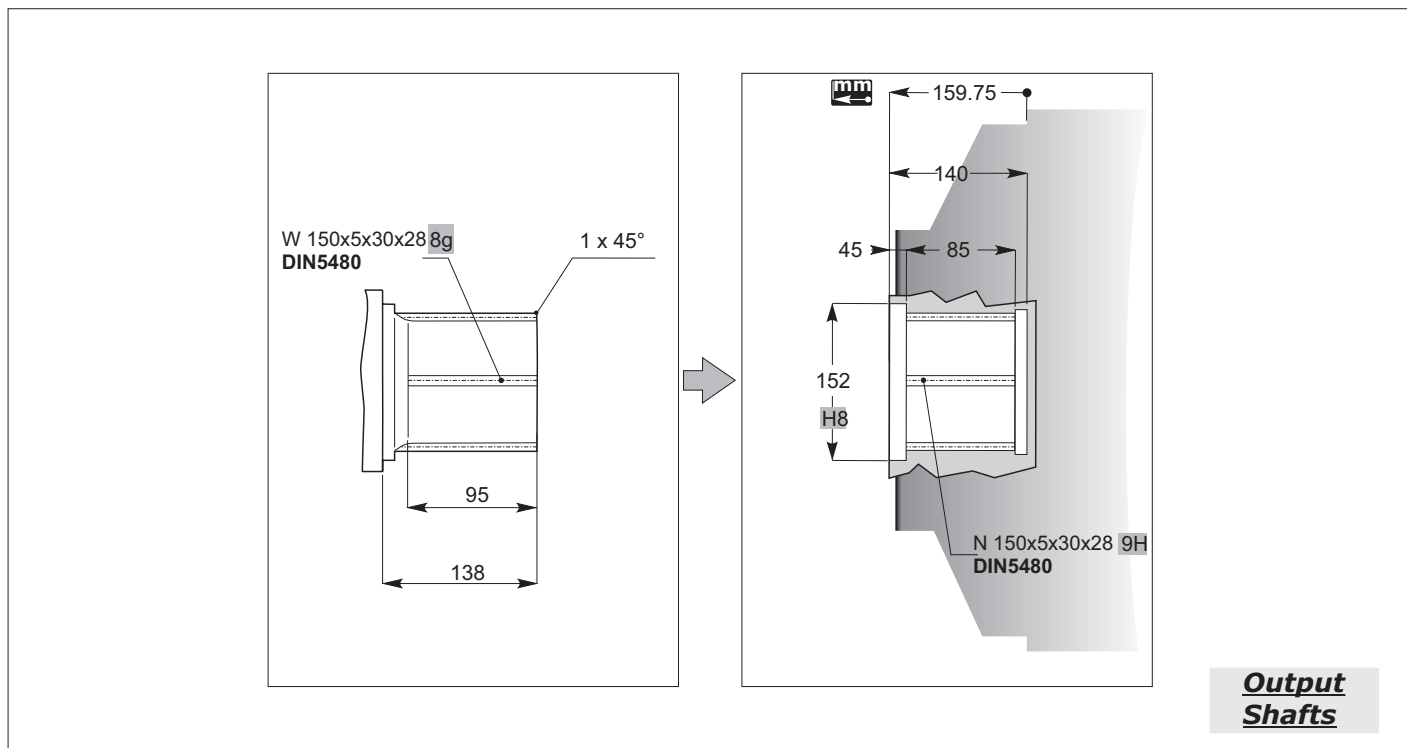
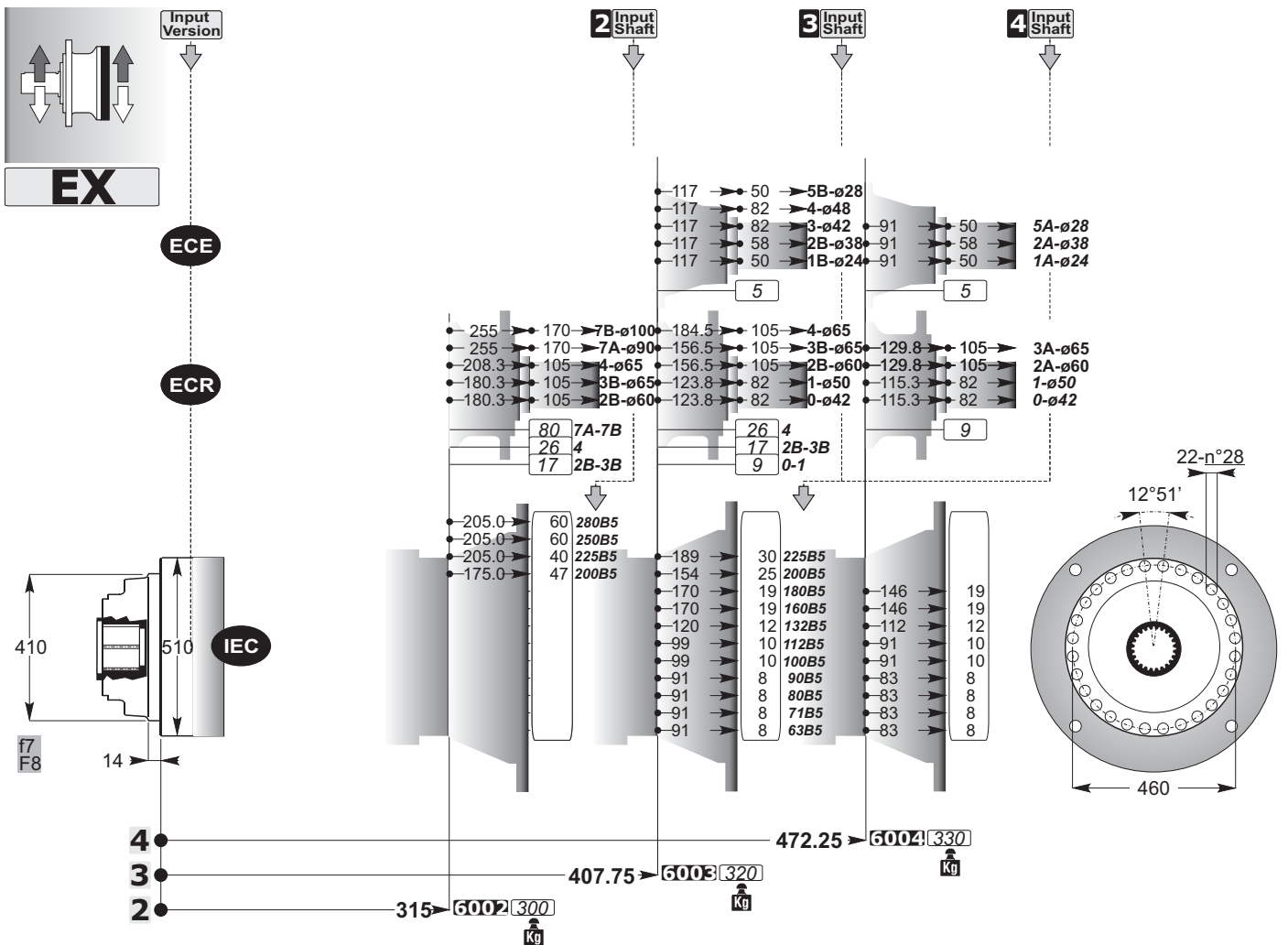


ECE
Input Version
ECR
IEC



mm
C



ECE

3 Input Shaft

ECE 1 2 3 4 5 B

4 Input Shaft

ECE 1 2 5 A

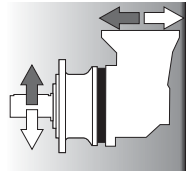
Input Version

ECR

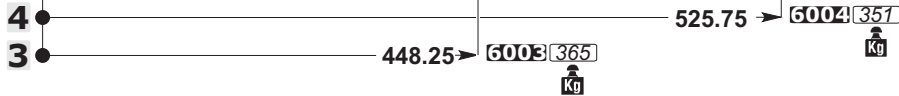
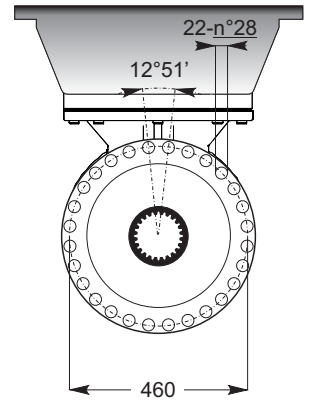
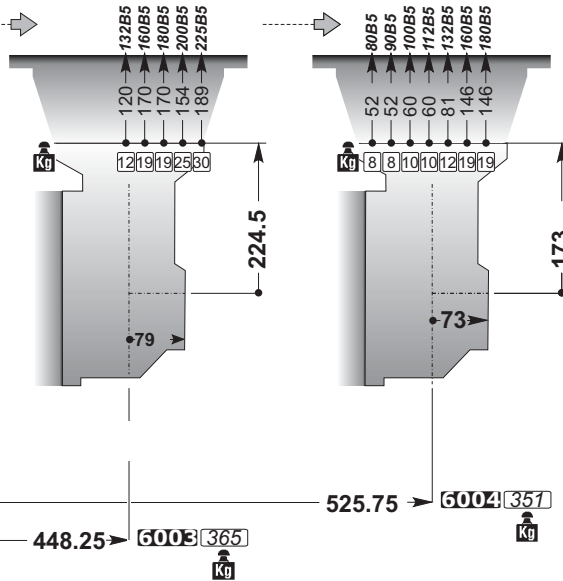
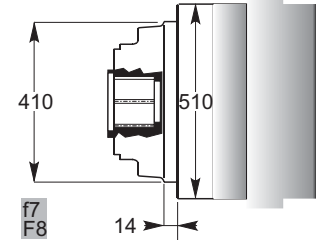
ECR 0 1 2 3 4 B

ECR 0 1 2 3 A

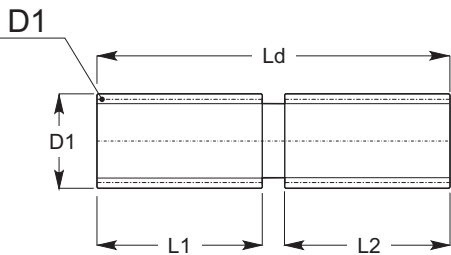
IEC



EXB



SD

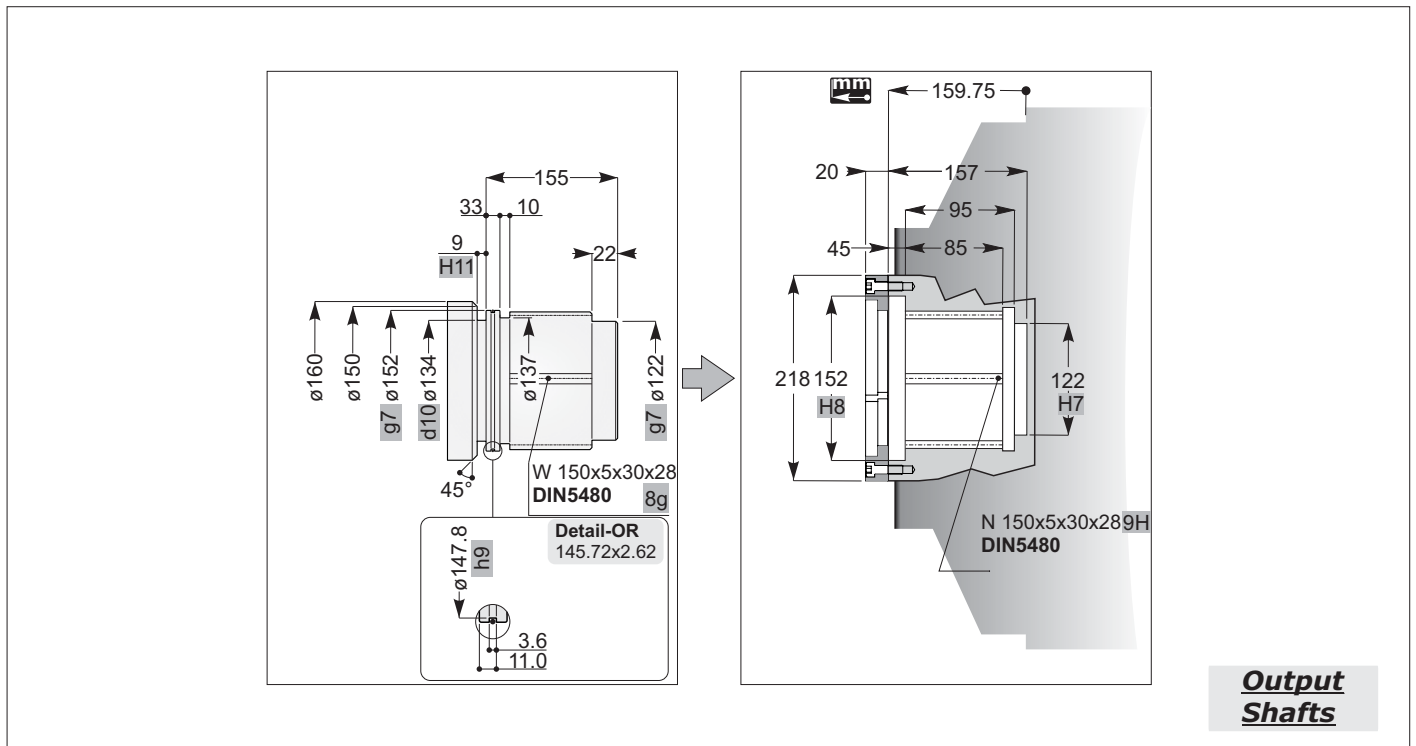
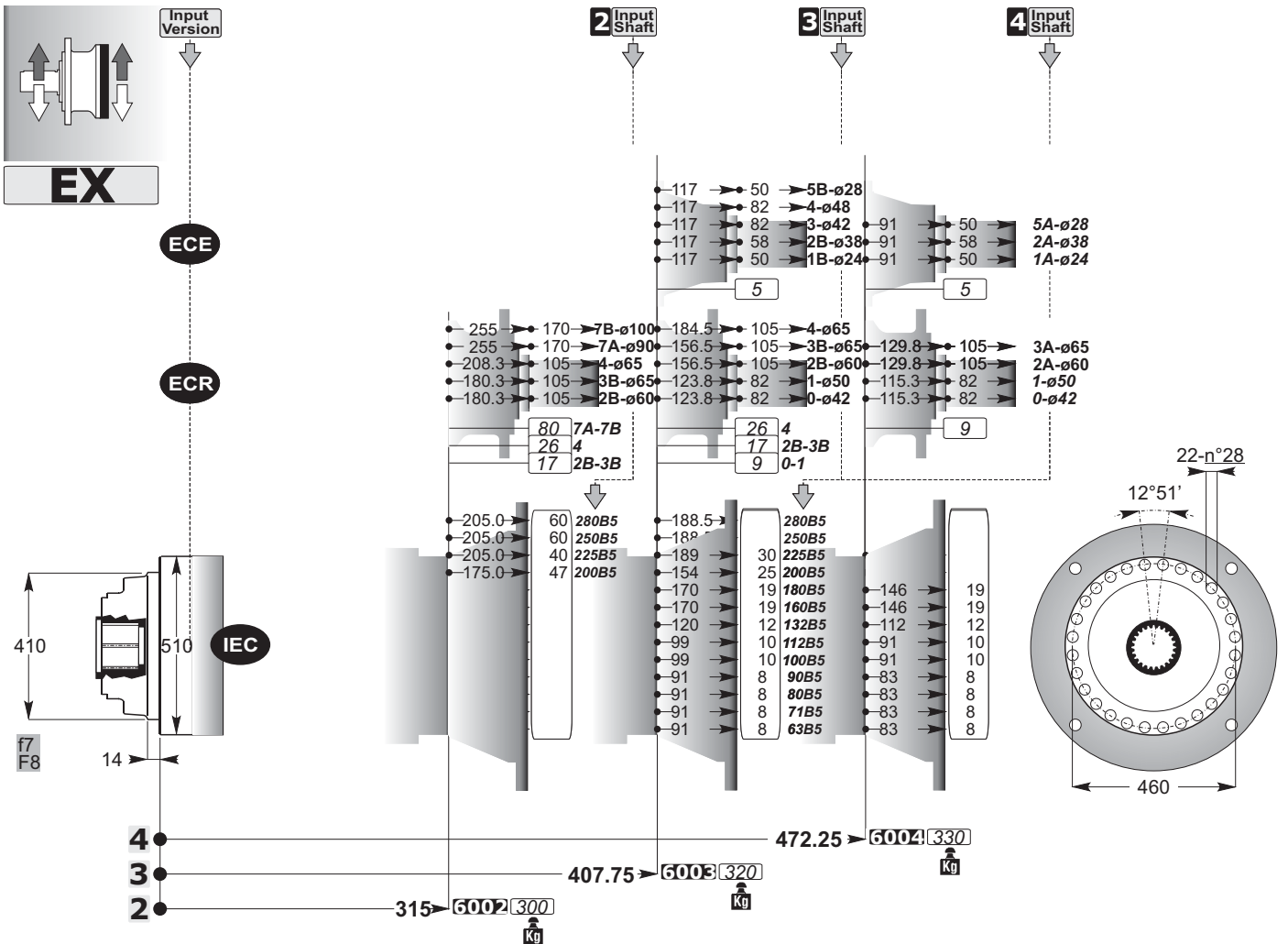


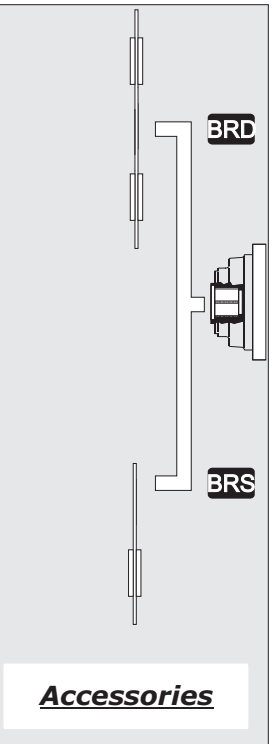
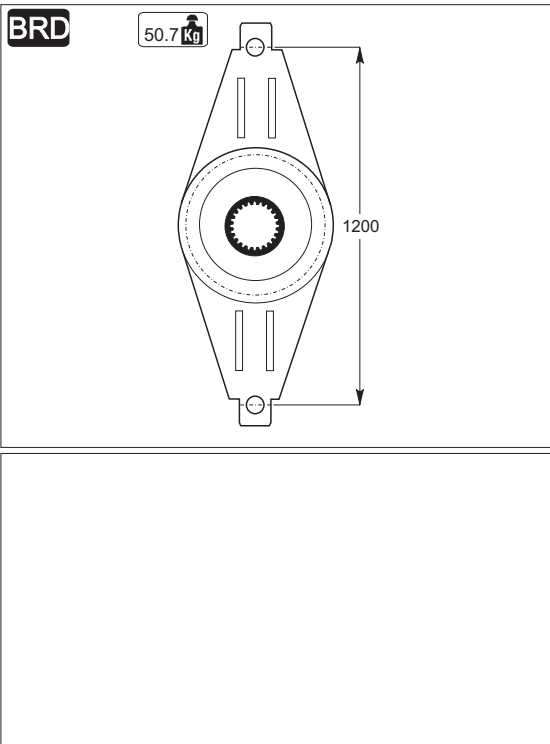
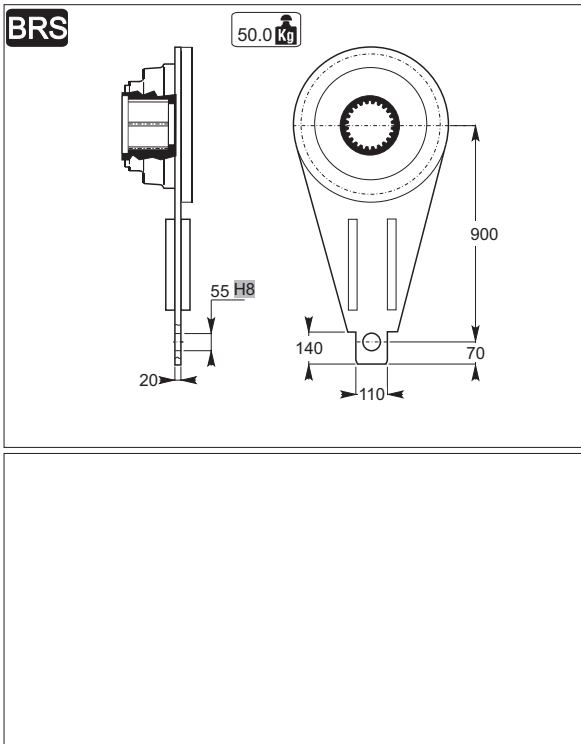
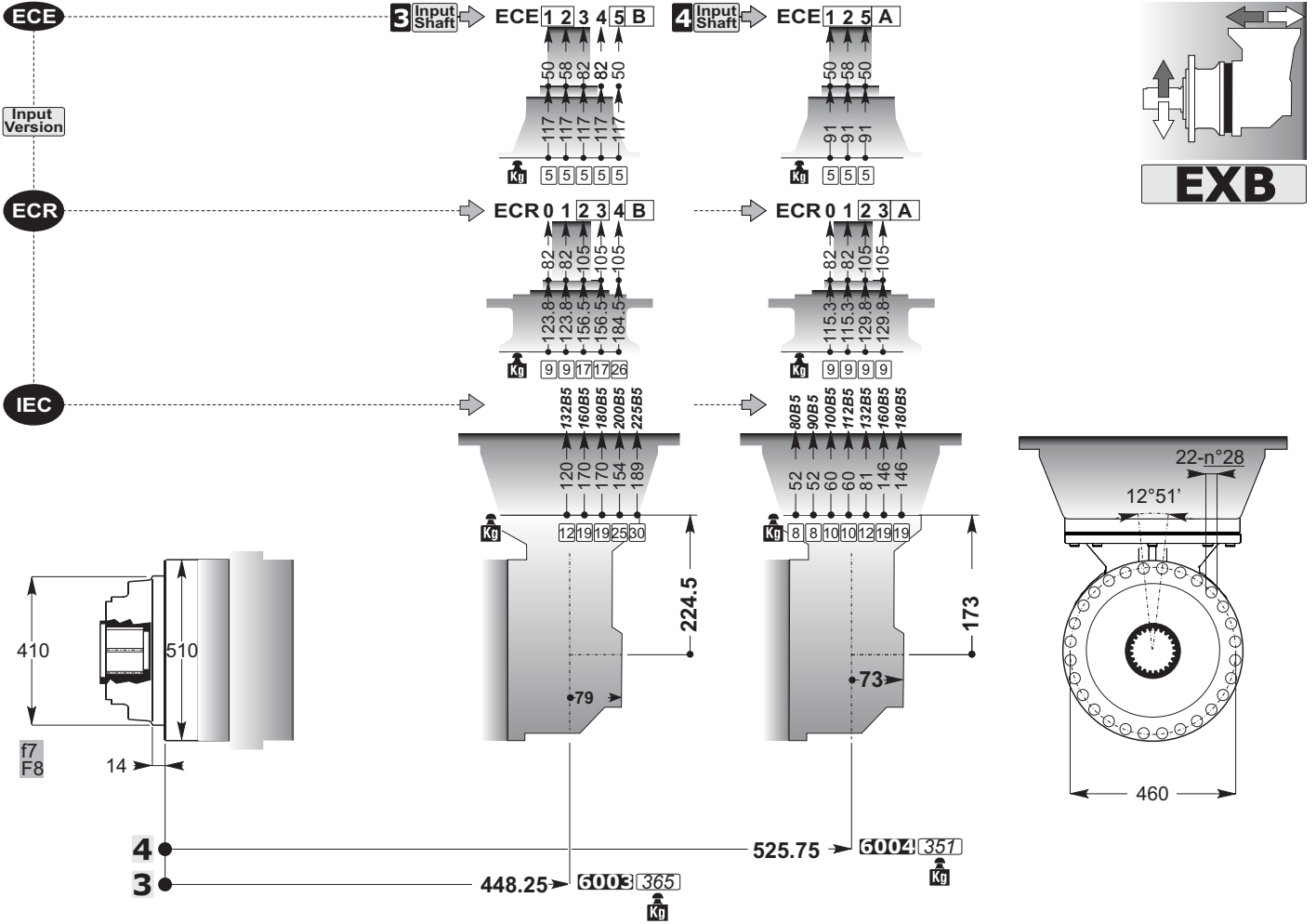
SD



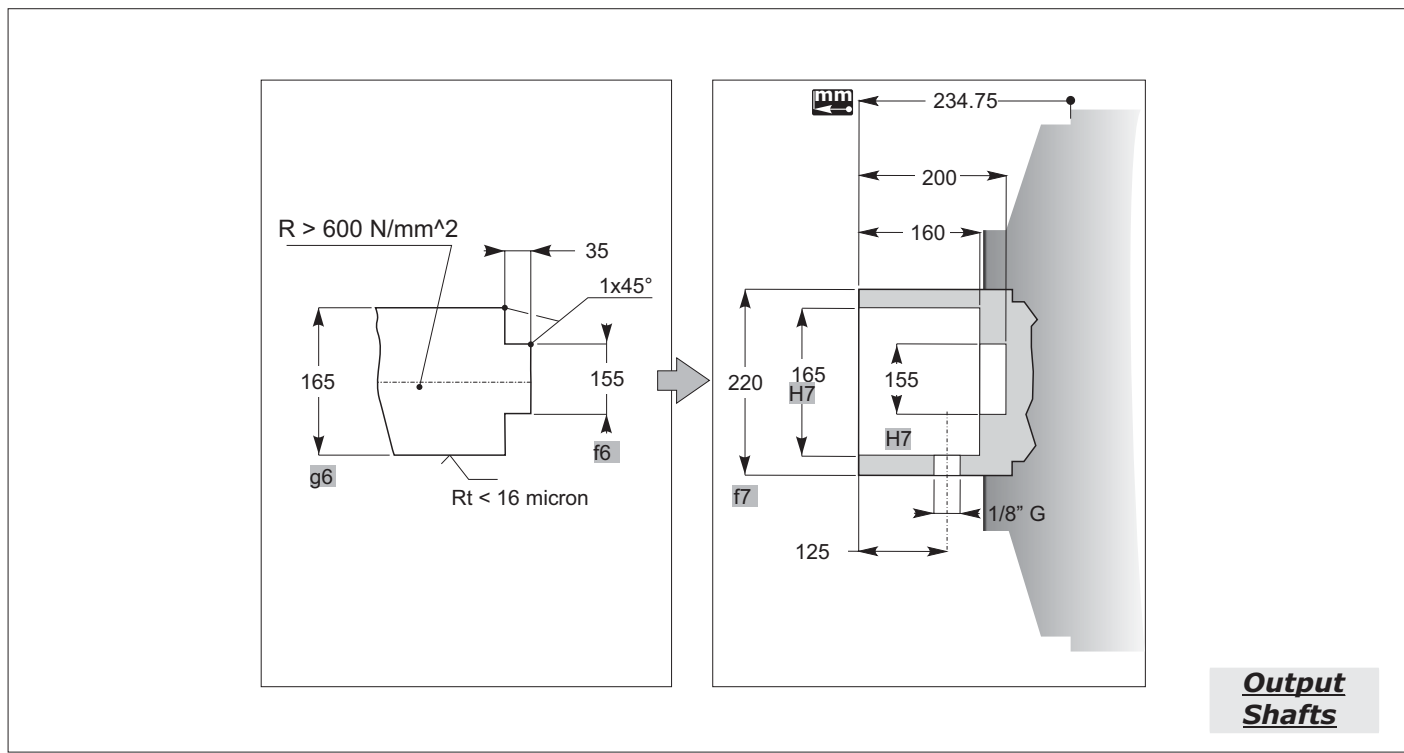
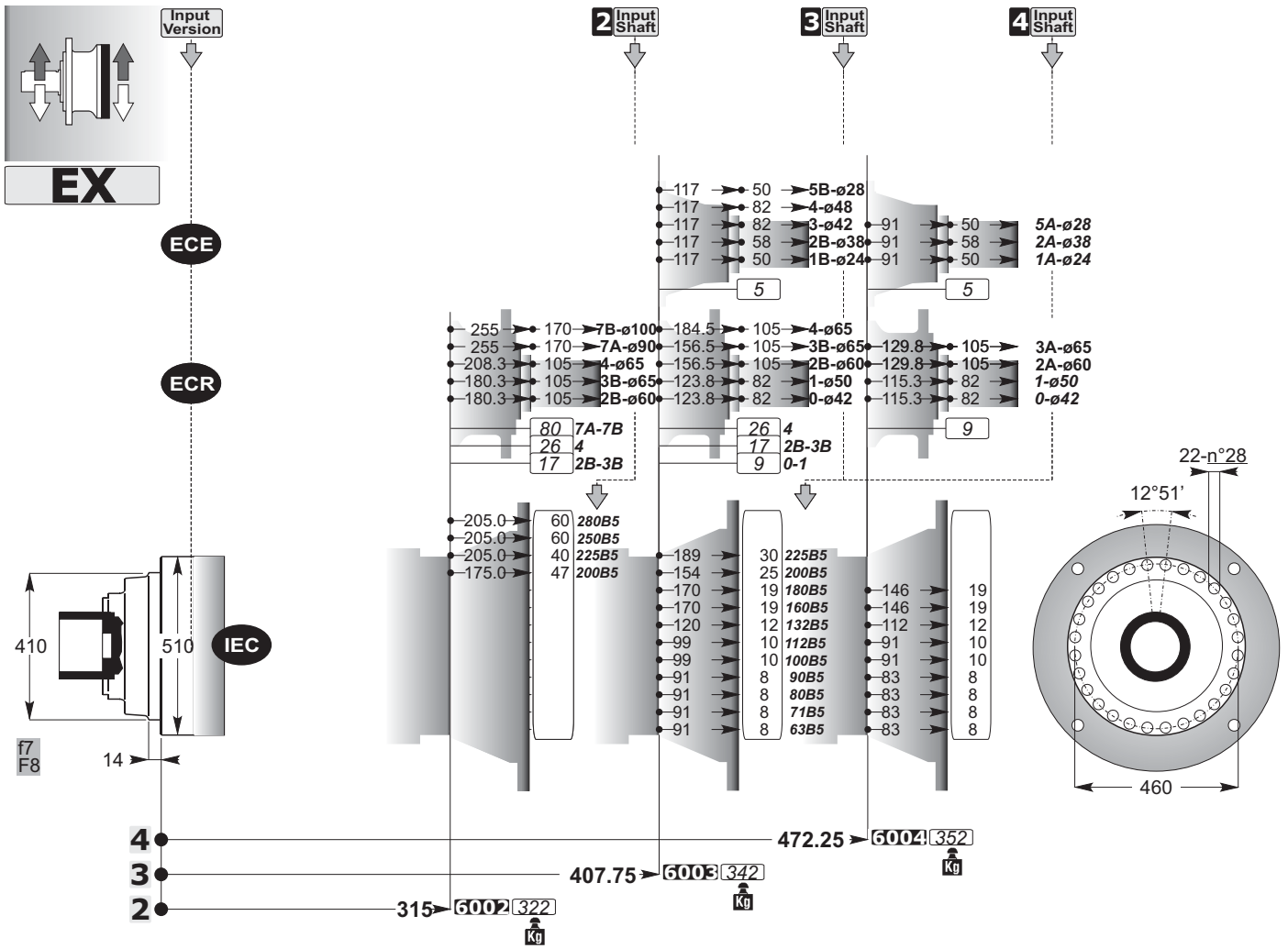
Accessories

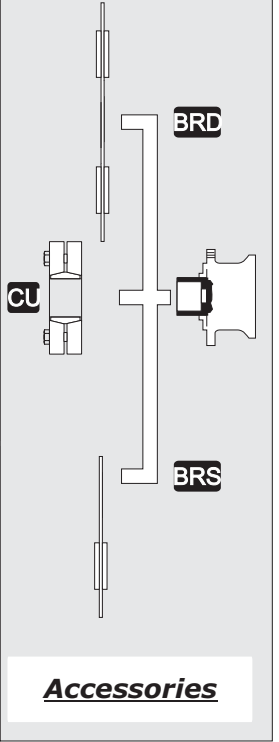
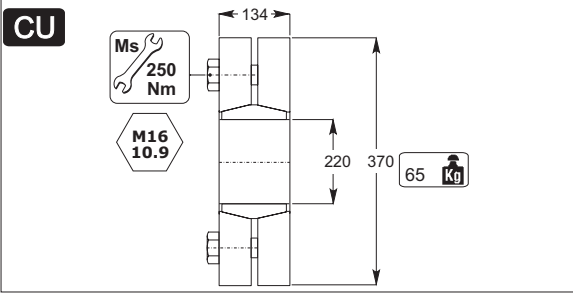
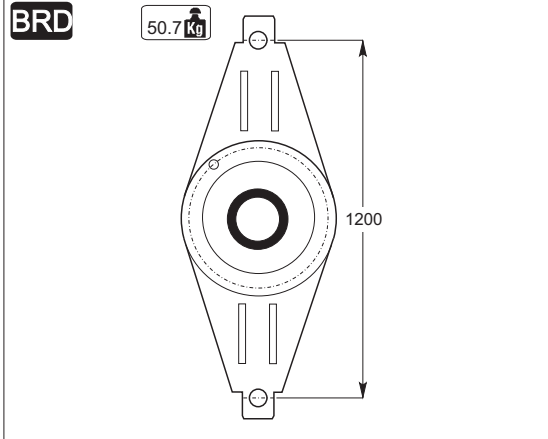
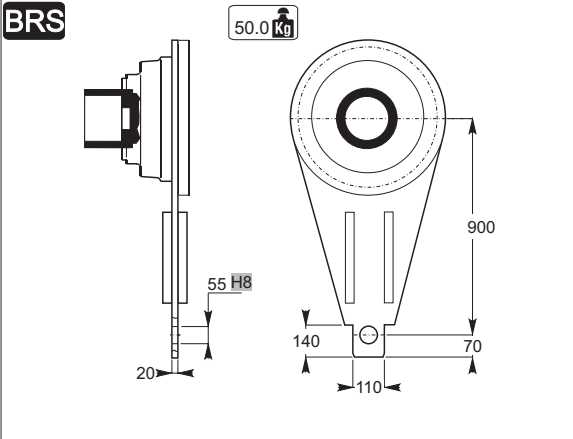
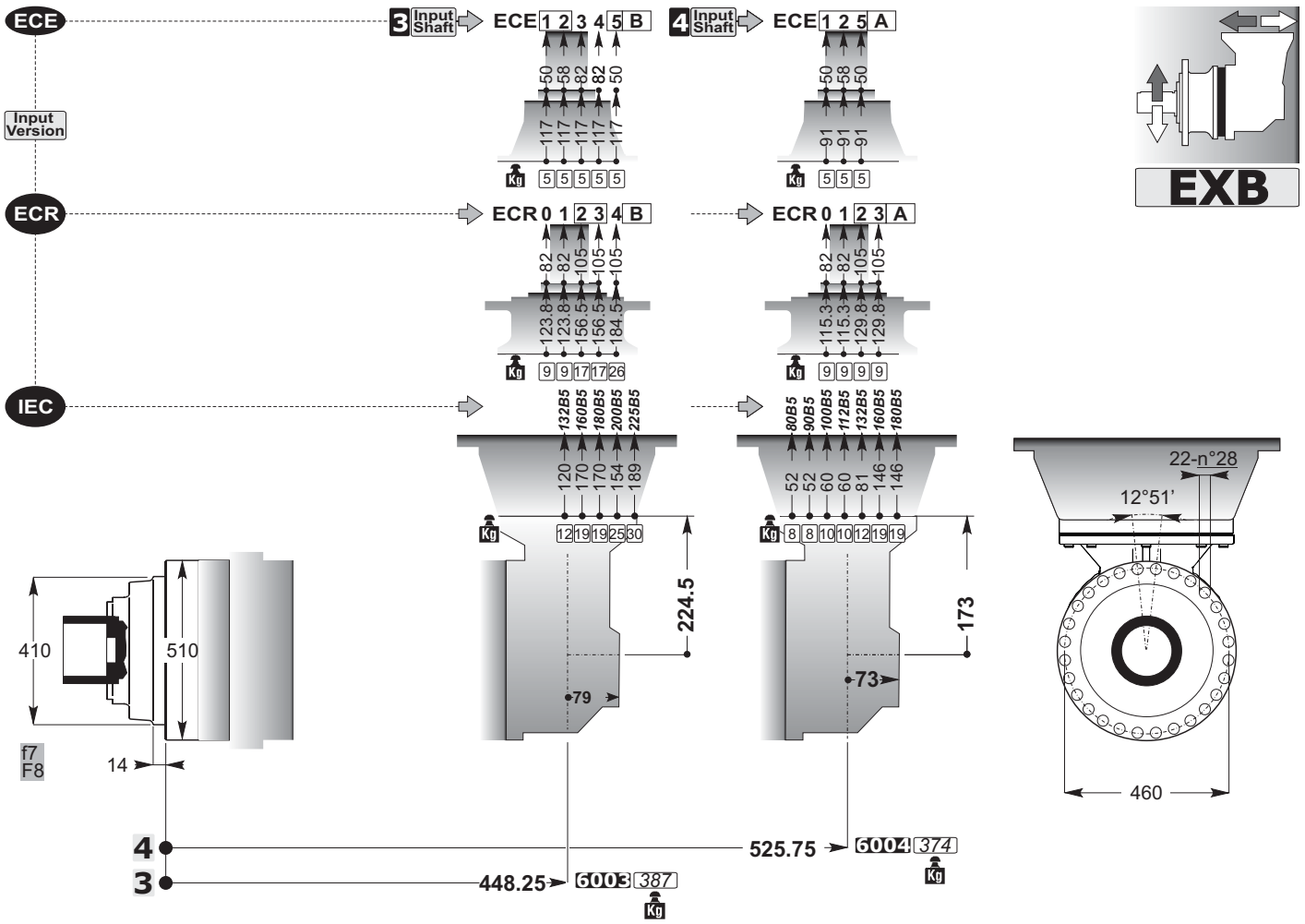
mm
C





mm
C





mm
C