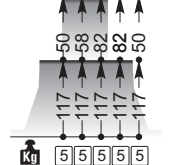


**ECE**

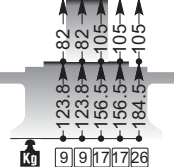
**4** Input Shaft → **ECE 1 2 3 4 5 B**



Input Version

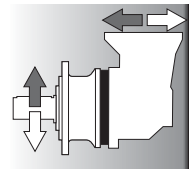
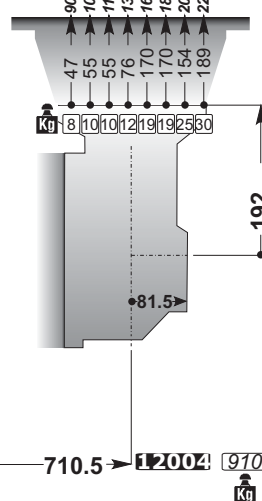
**ECR**

→ **ECR 0 1 2 3 4 B**

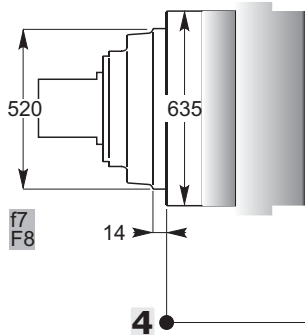
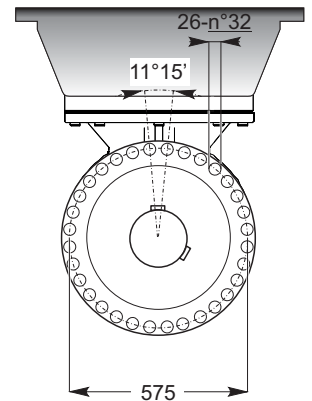


**IEC**

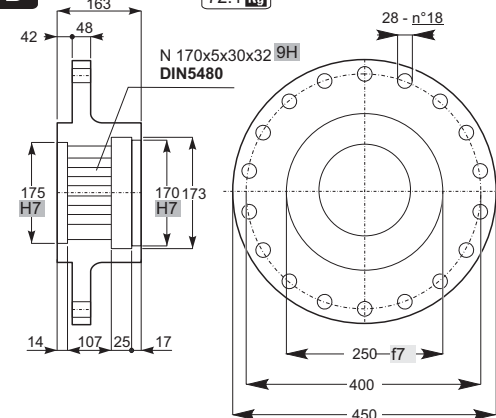
→



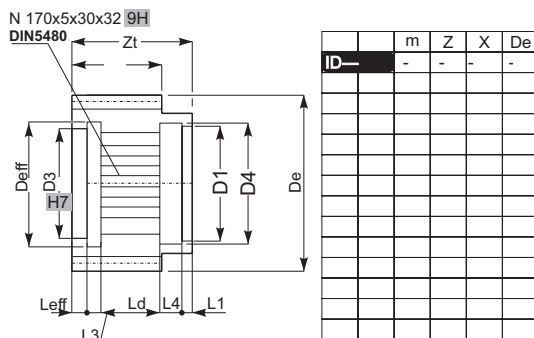
**EXB**



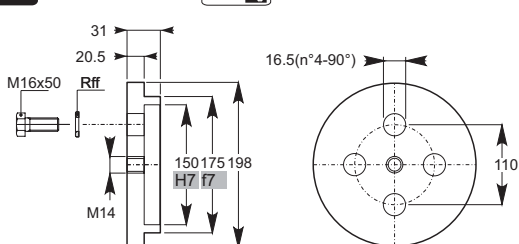
**FD**



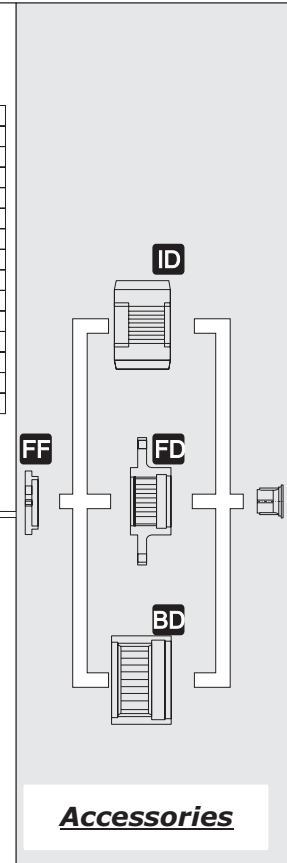
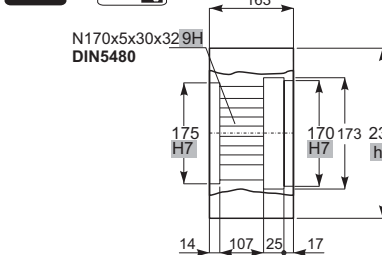
**ID**



**FF**

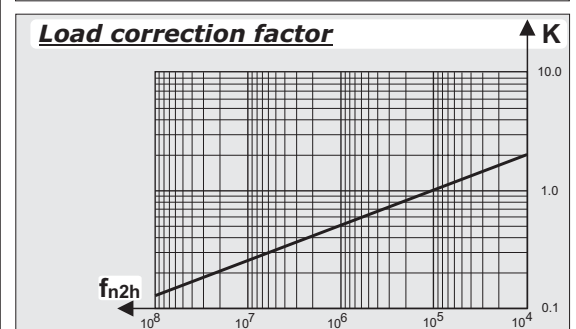
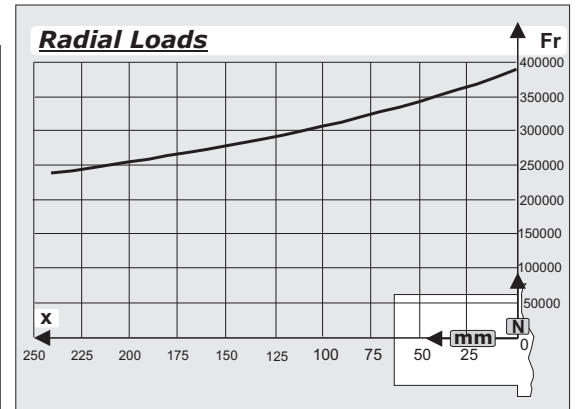
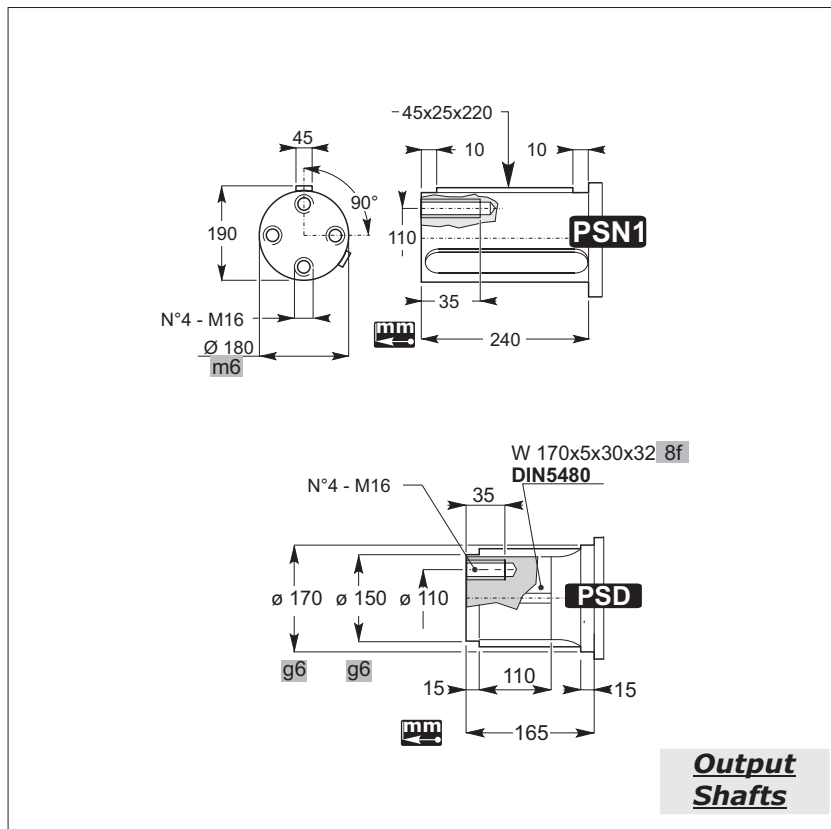
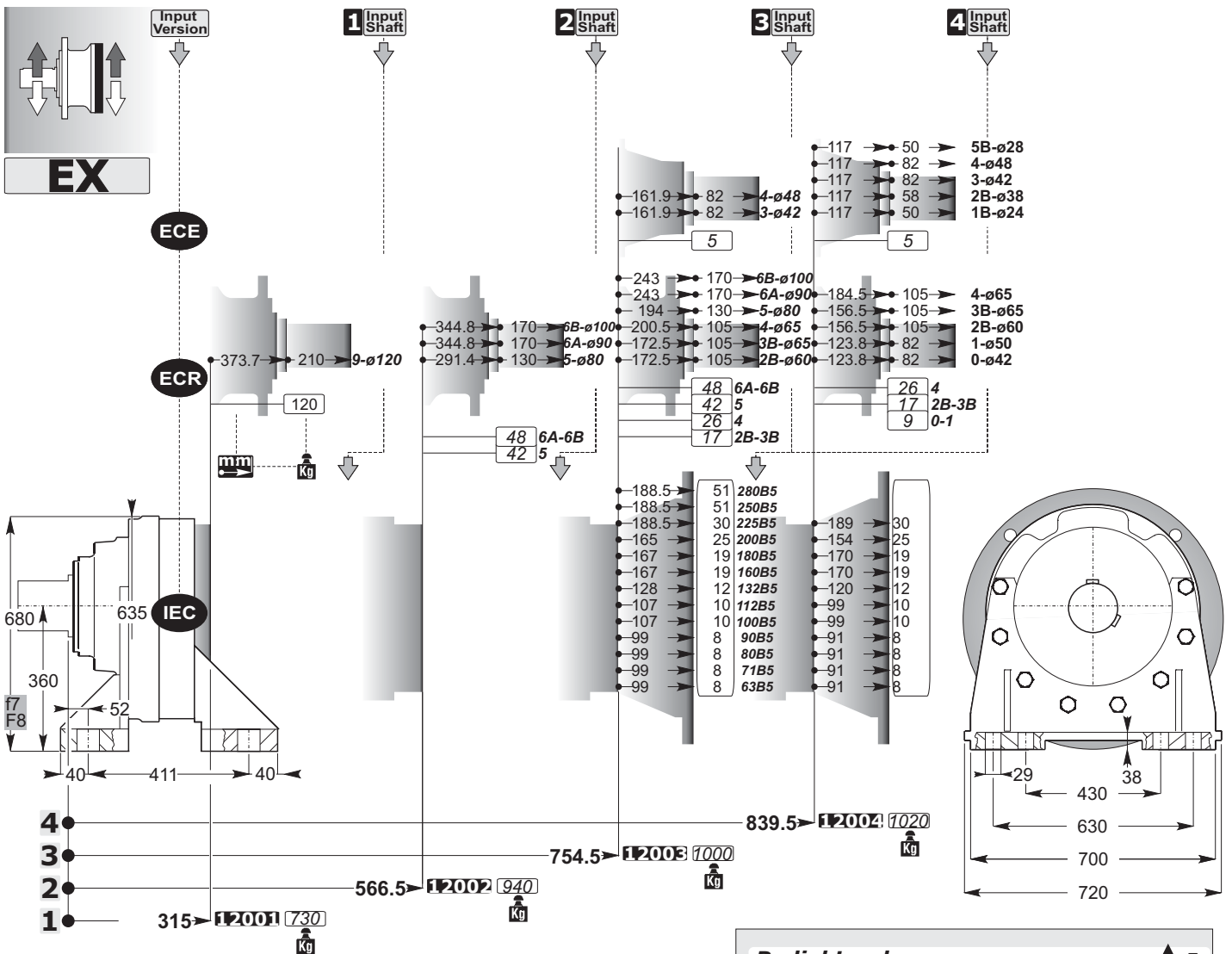


**BD**



**Accessories**





ECB

4 Input Shaft → ECB 1 2 3 4 5 B

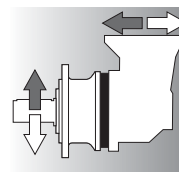
Input Version

ECR

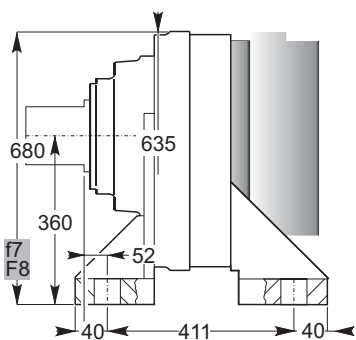
ECR 0 1 2 3 4 B

IEC

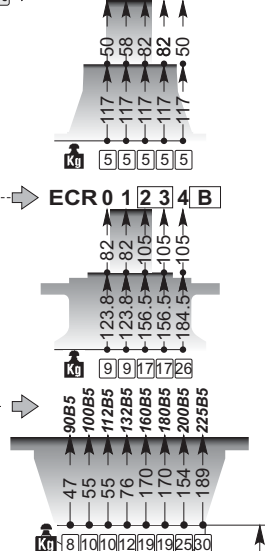
IEC 90B5 100B5 112B5 132B5 160B5 180B5 200B5 225B5



**EXB**

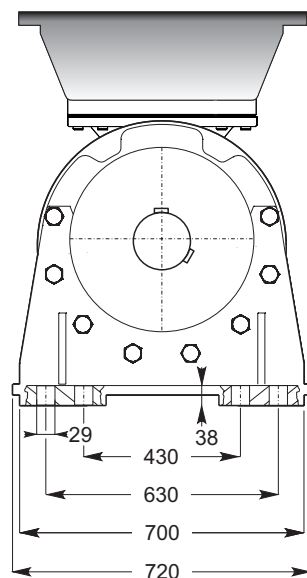


4



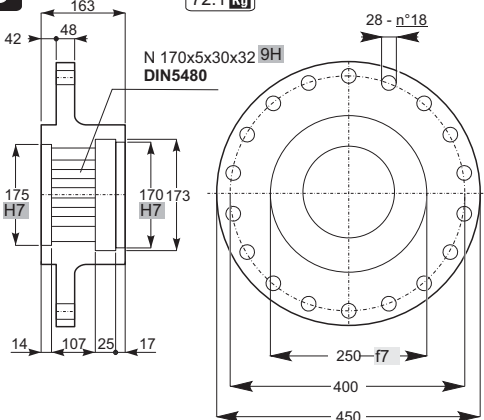
880.5

1200 7050



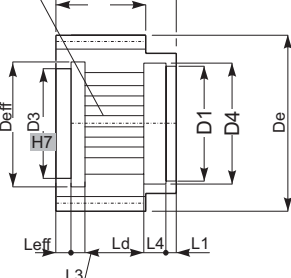
**FD**

72.1 Kg



**ID**

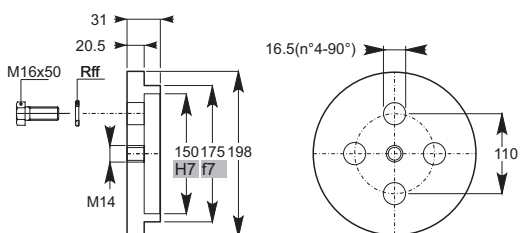
N 170x5x30x32 9H DIN5480



ID	m	Z	X	De

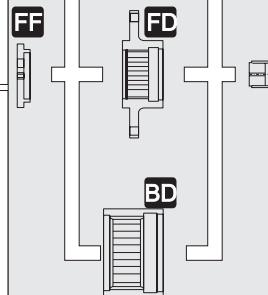
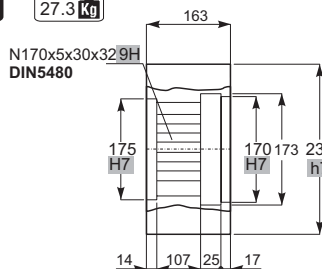
**FF**

5.3 Kg



**BD**

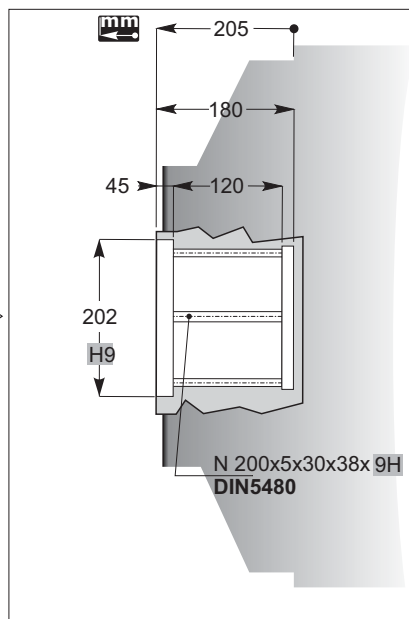
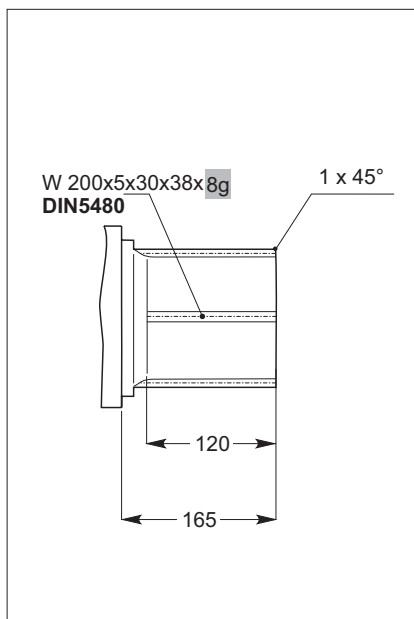
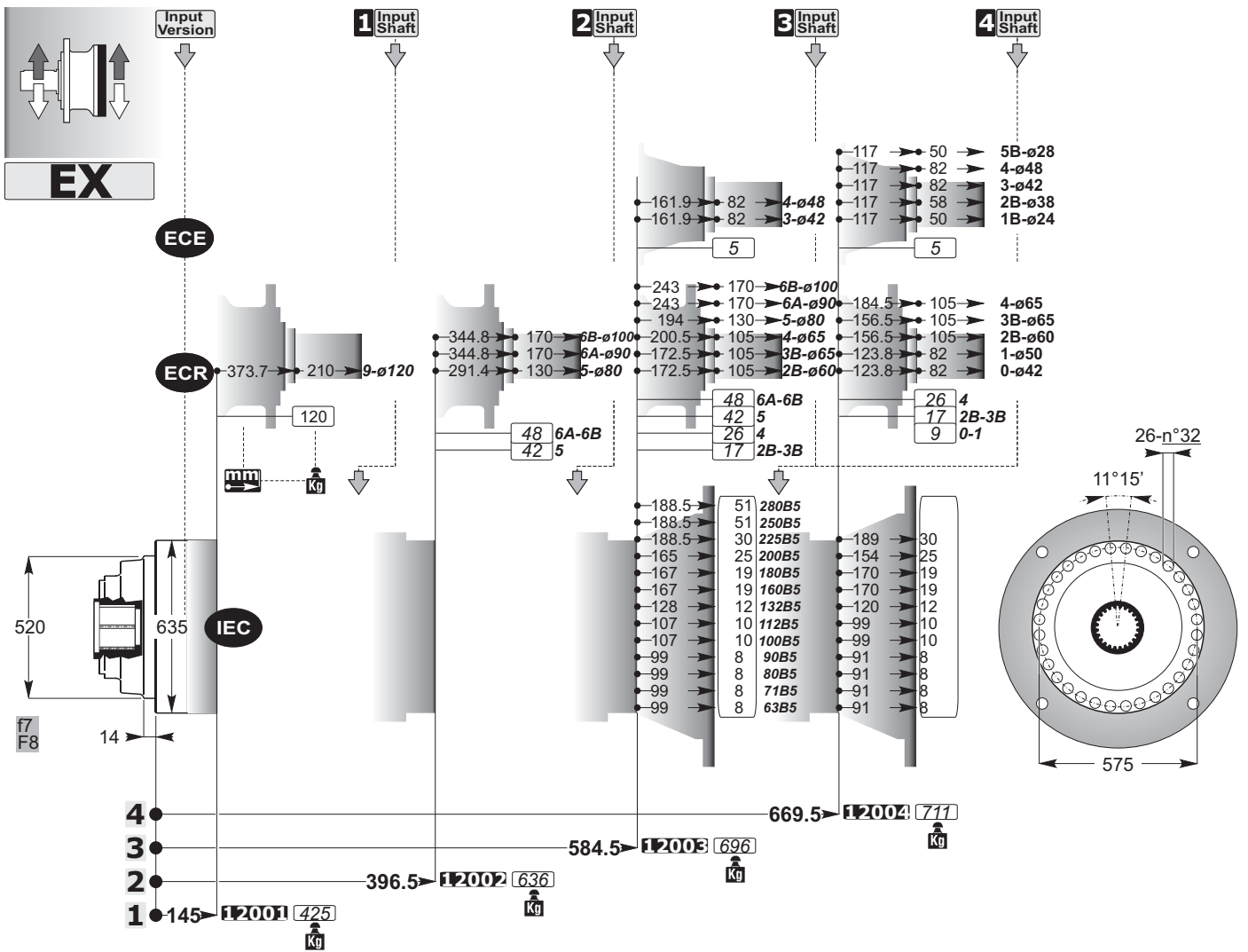
27.3 Kg



**Accessories**

mm

**C**



**Output Shafts**

**ECE**

4 Input Shaft → ECE 1 2 3 4 5 B

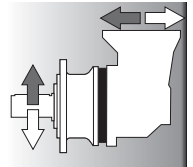
Input Version

**ECR**

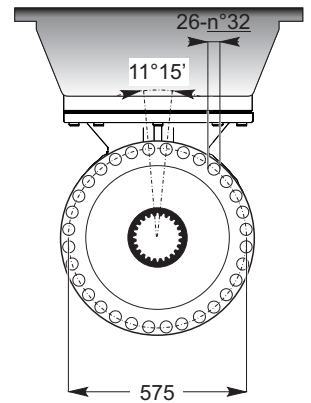
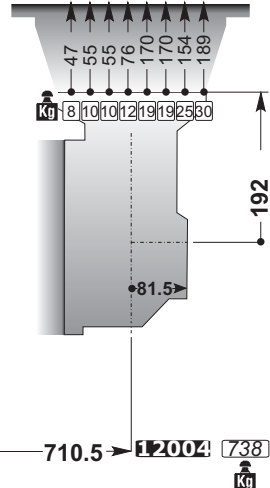
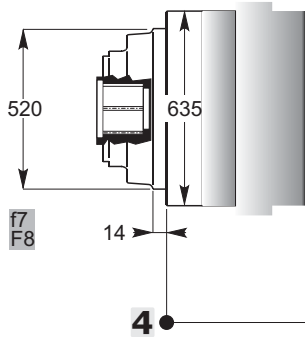
→ ECR 0 1 2 3 4 B

**IEC**

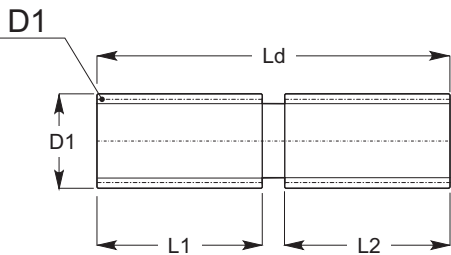
→



**EXB**



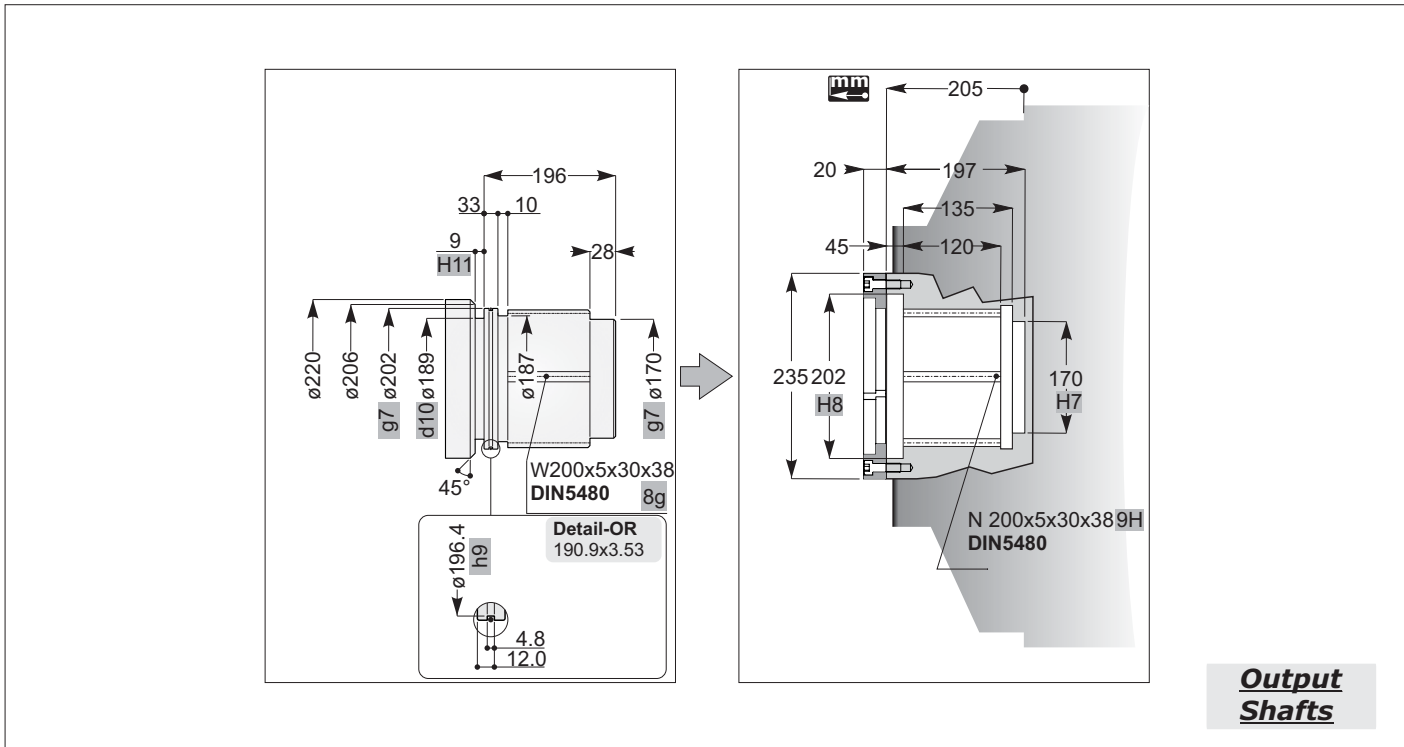
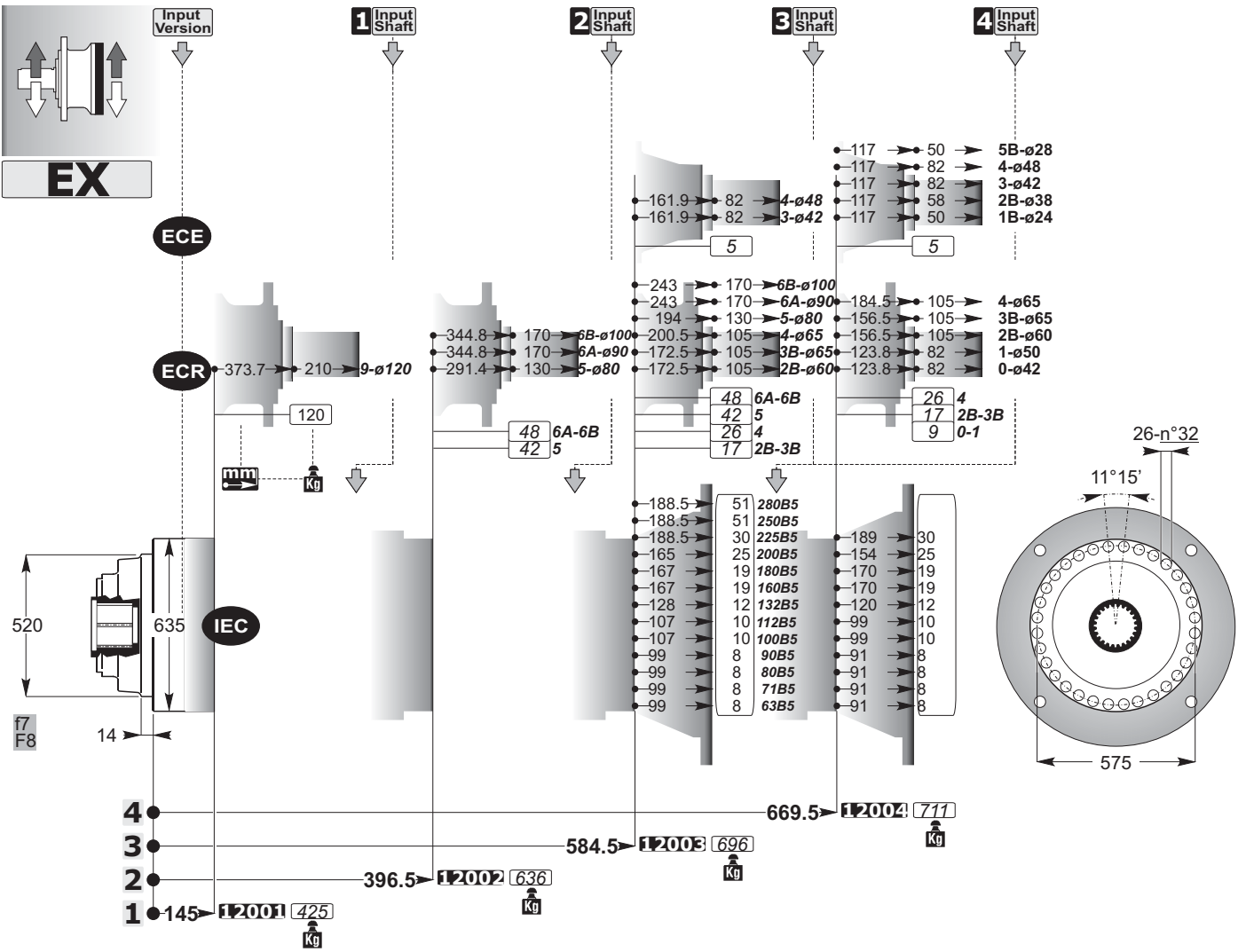
**SD**



**SD**

**Accessories**

mm  
**C**



**ECE**

4 Input Shaft → ECE 1 2 3 4 5 B

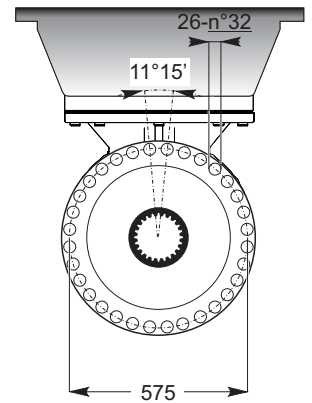
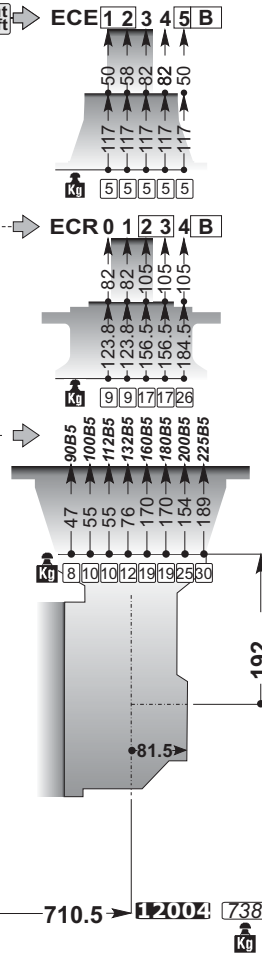
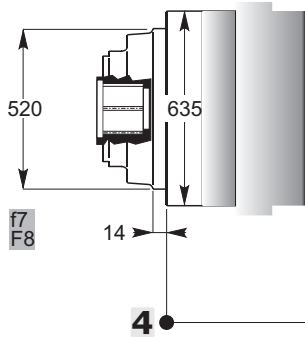
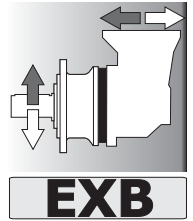
Input Version

**ECR**

→ ECR 0 1 2 3 4 B

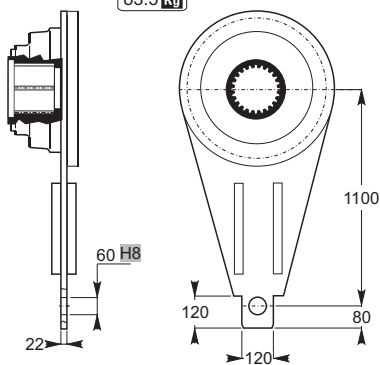
**IEC**

→



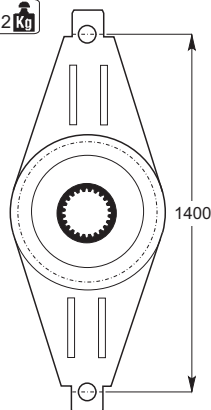
**BRS**

83.5 kg



**BRD**

76.2 kg



mm

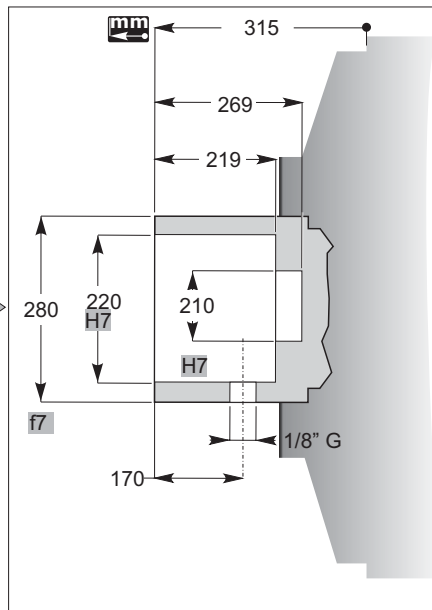
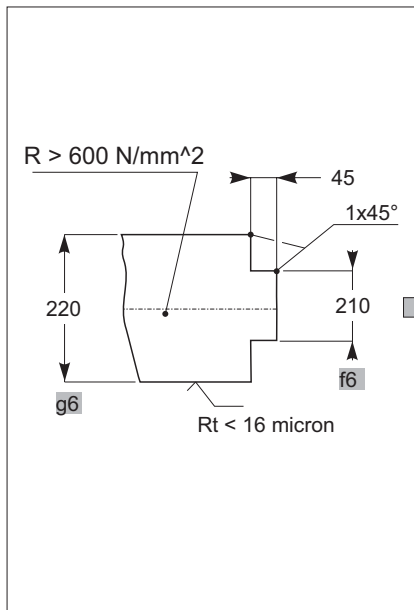
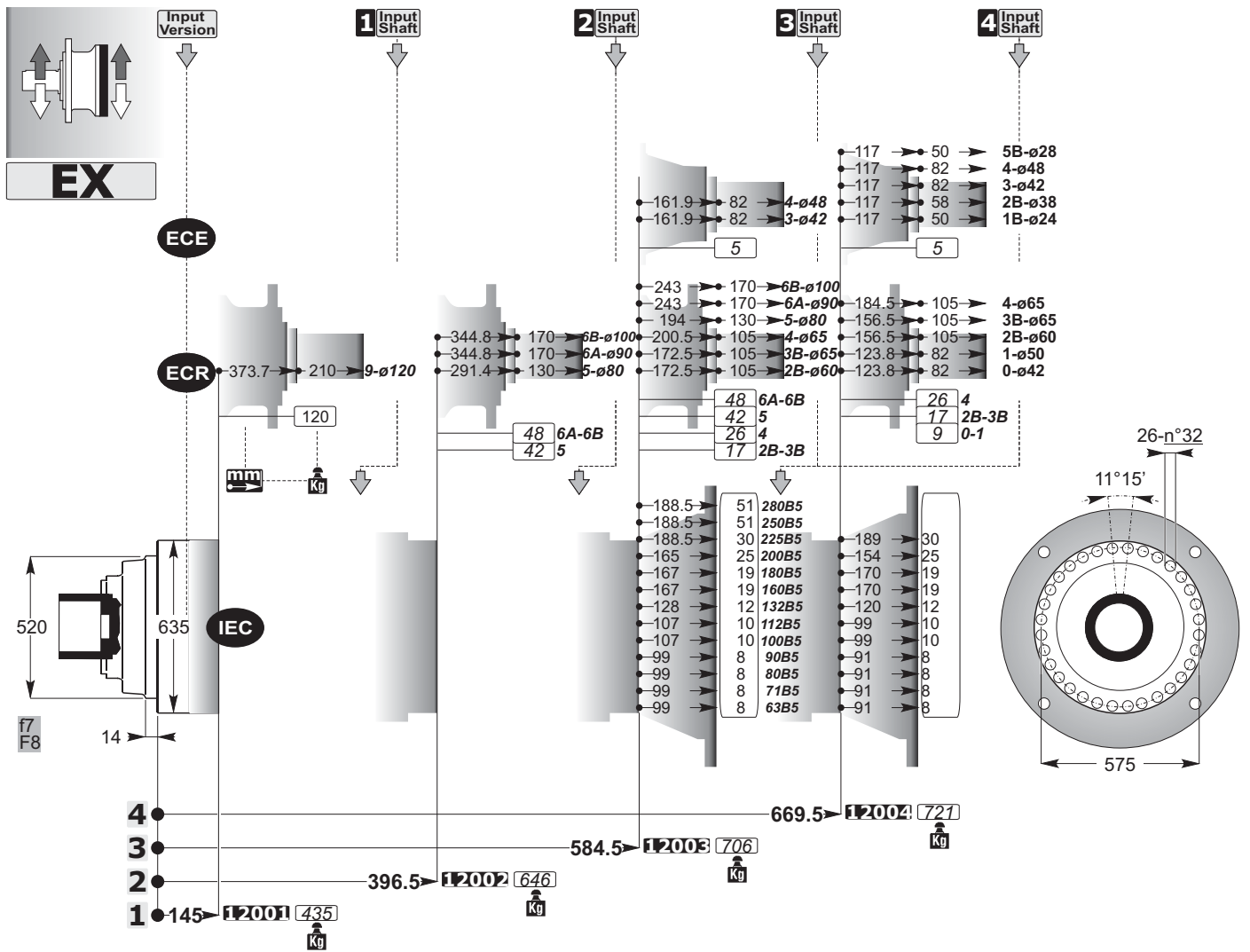
**C**

**BRD**

**BRS**

**Accessories**





**Output Shafts**

**ECE**

4 Input Shaft → ECE 1 2 3 4 5 B

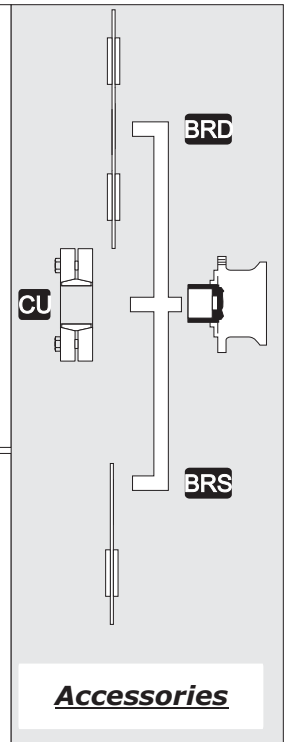
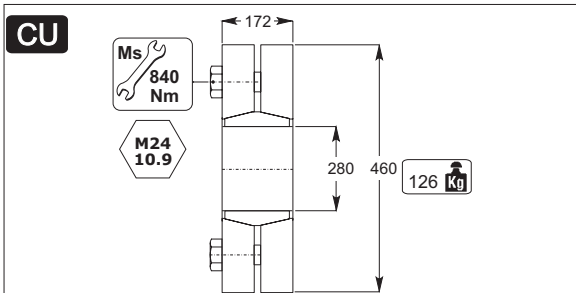
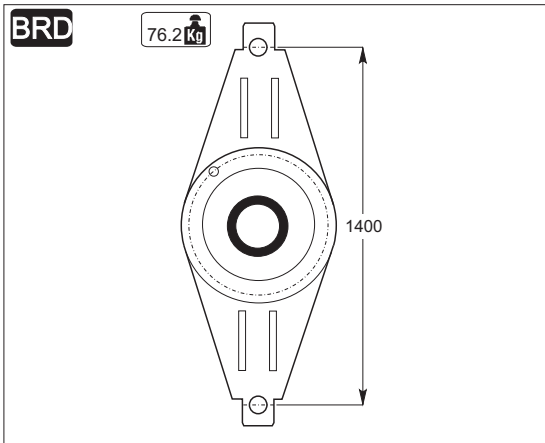
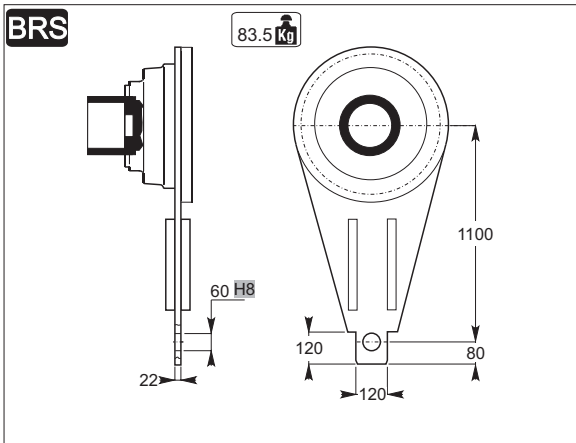
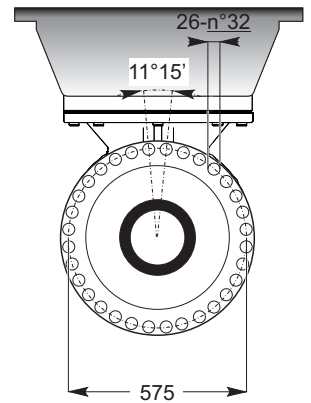
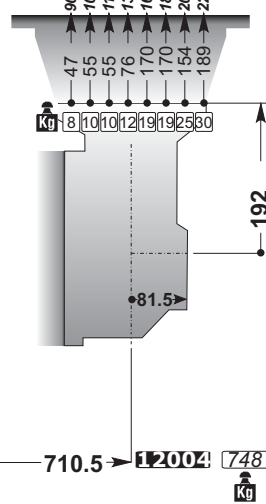
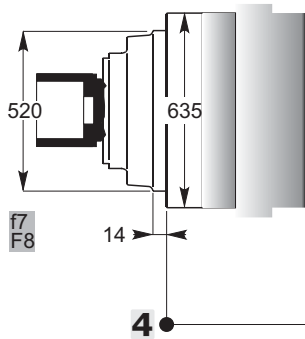
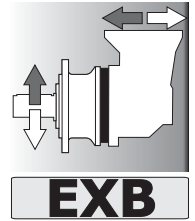
Input Version

**ECR**

→ ECR 0 1 2 3 4 B

**IEC**

→



mm  
**C**