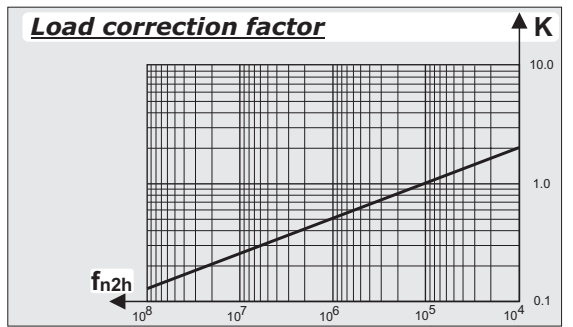
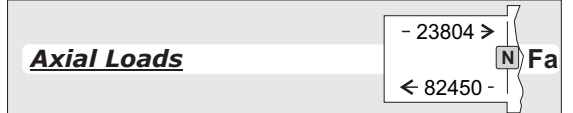
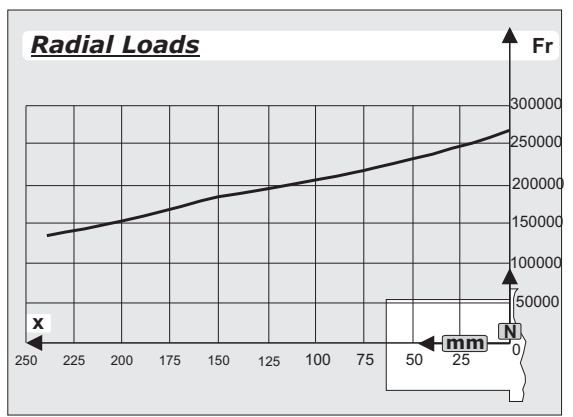
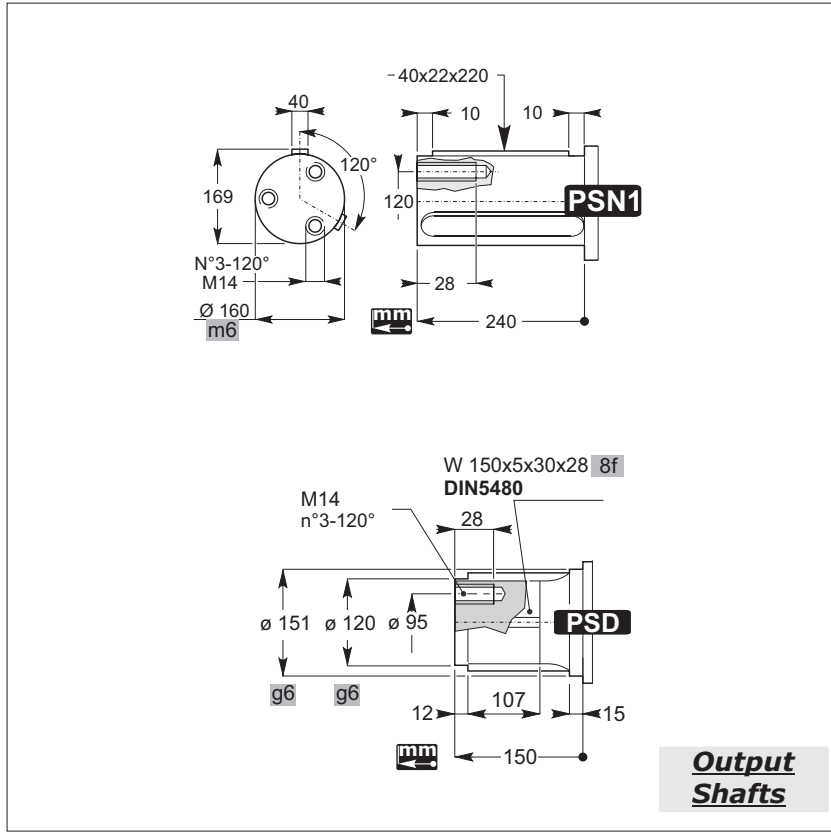
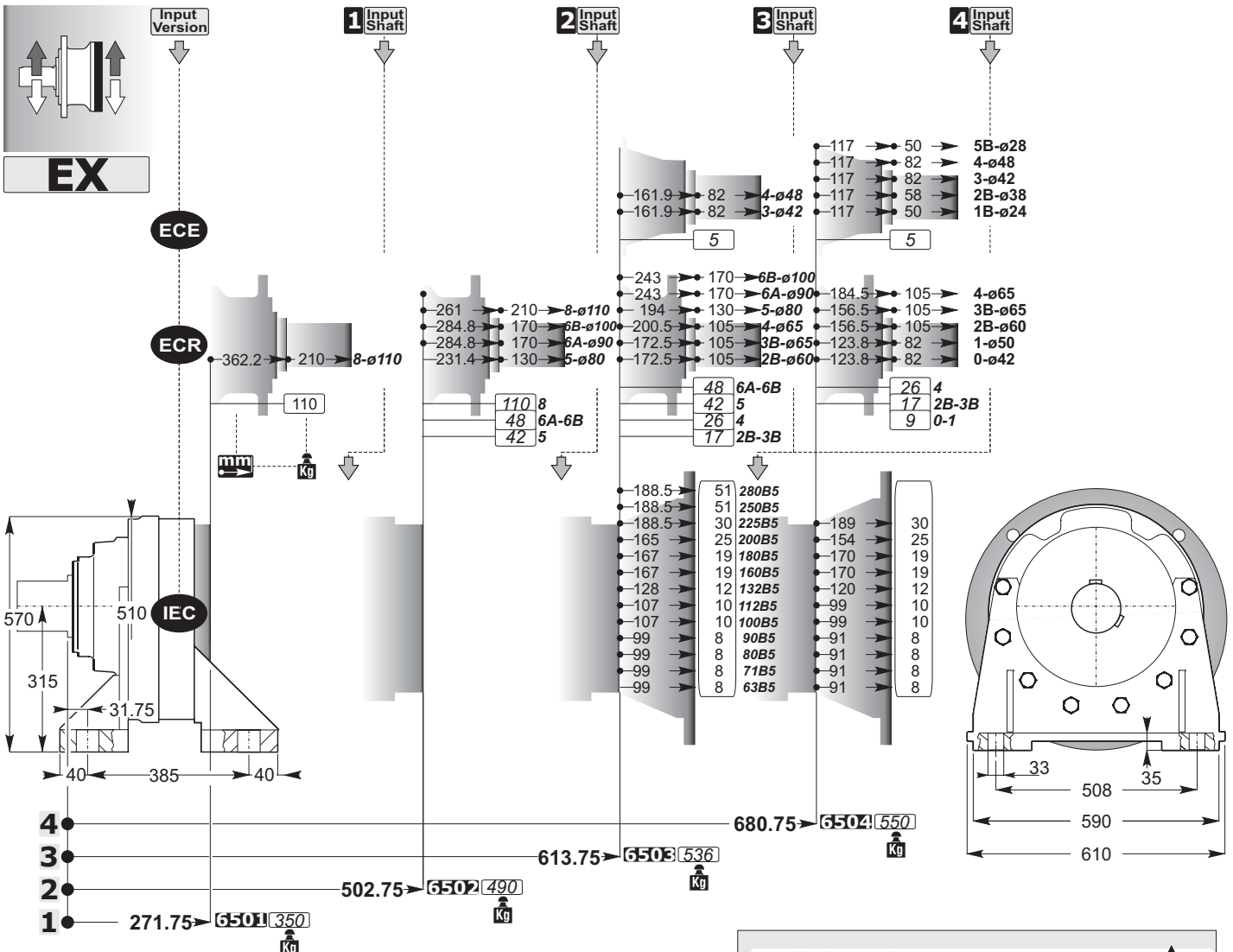


mm
C



ECE

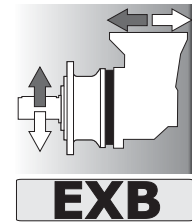
Input Version

ECR

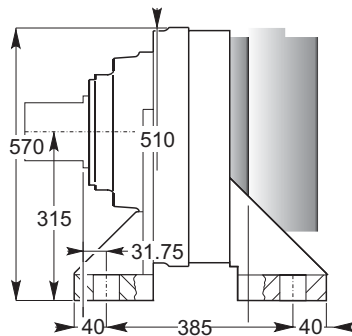
IEC

3 Input Shaft

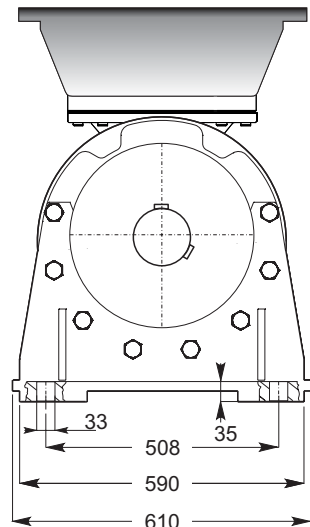
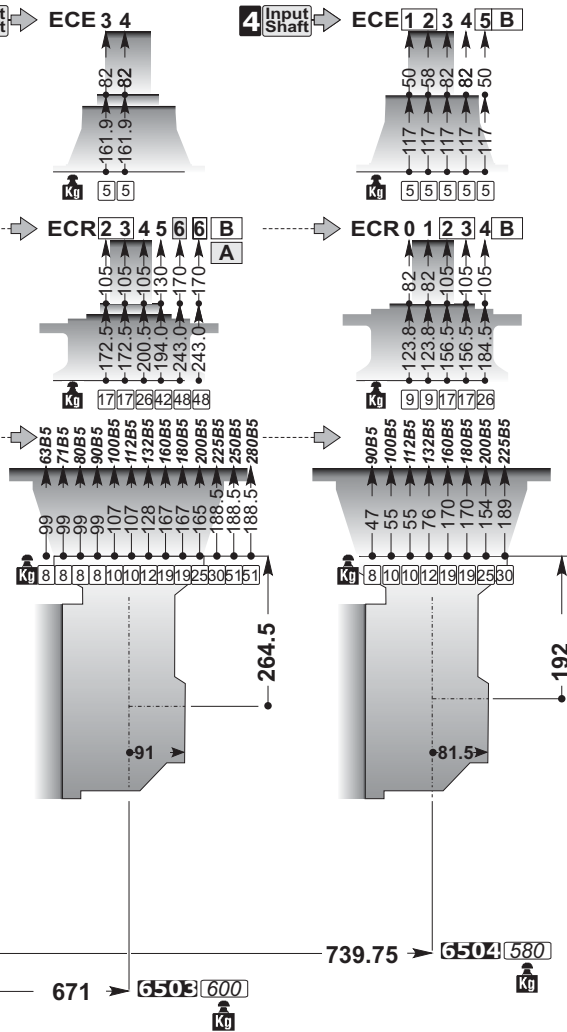
4 Input Shaft



EXB

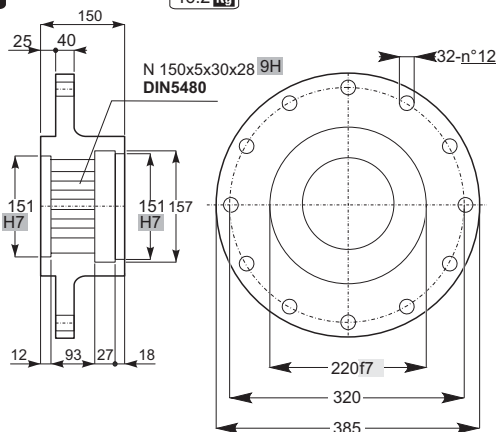


4
3



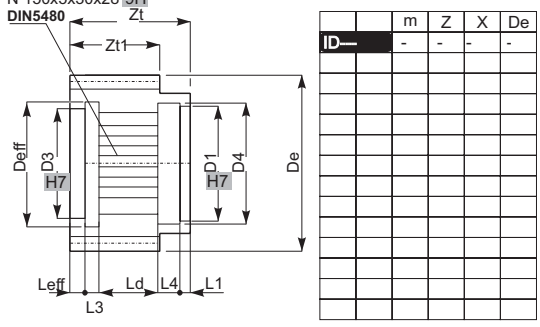
FD

46.2 Kg



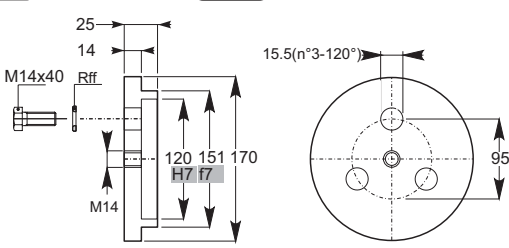
ID

24.5 Kg



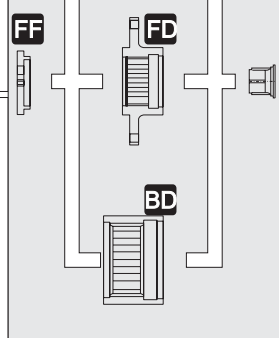
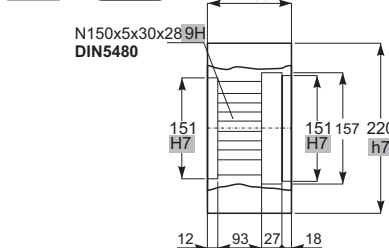
FF

3.2 Kg



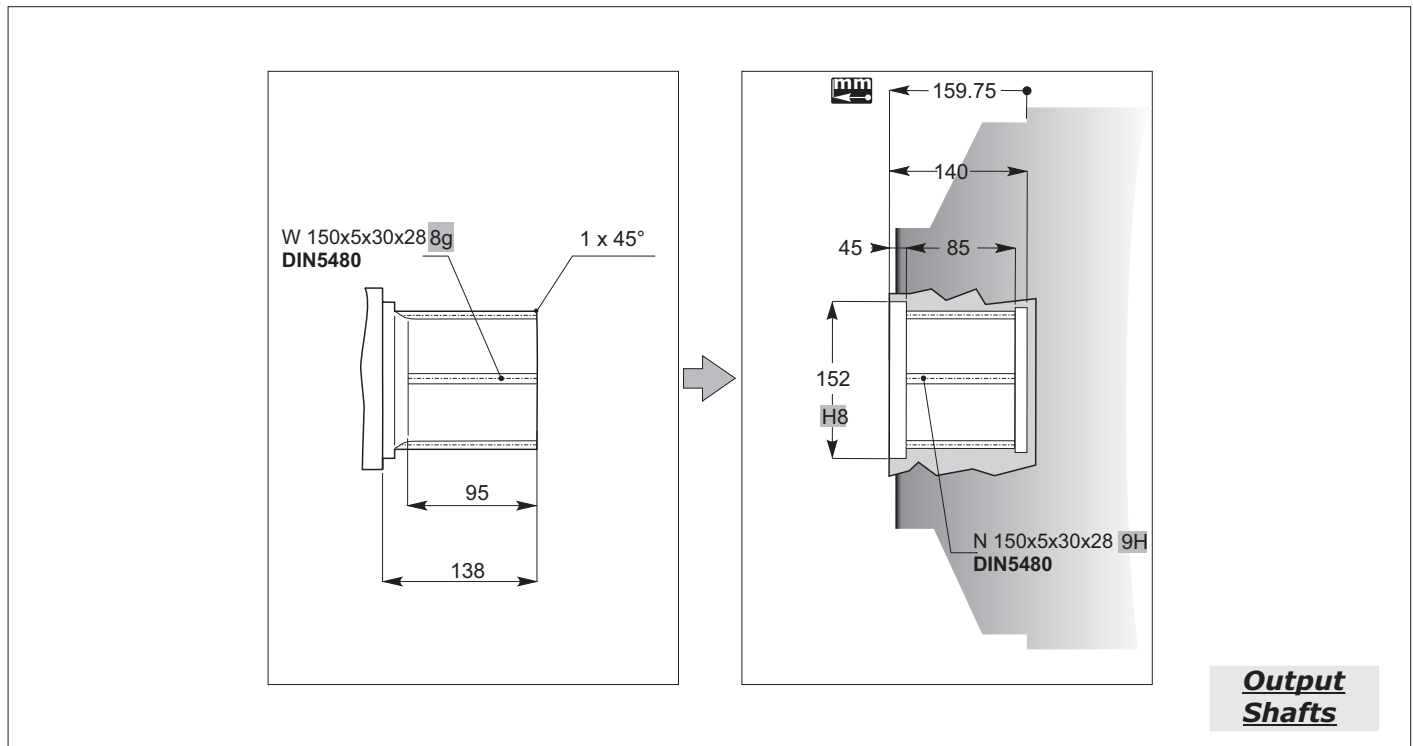
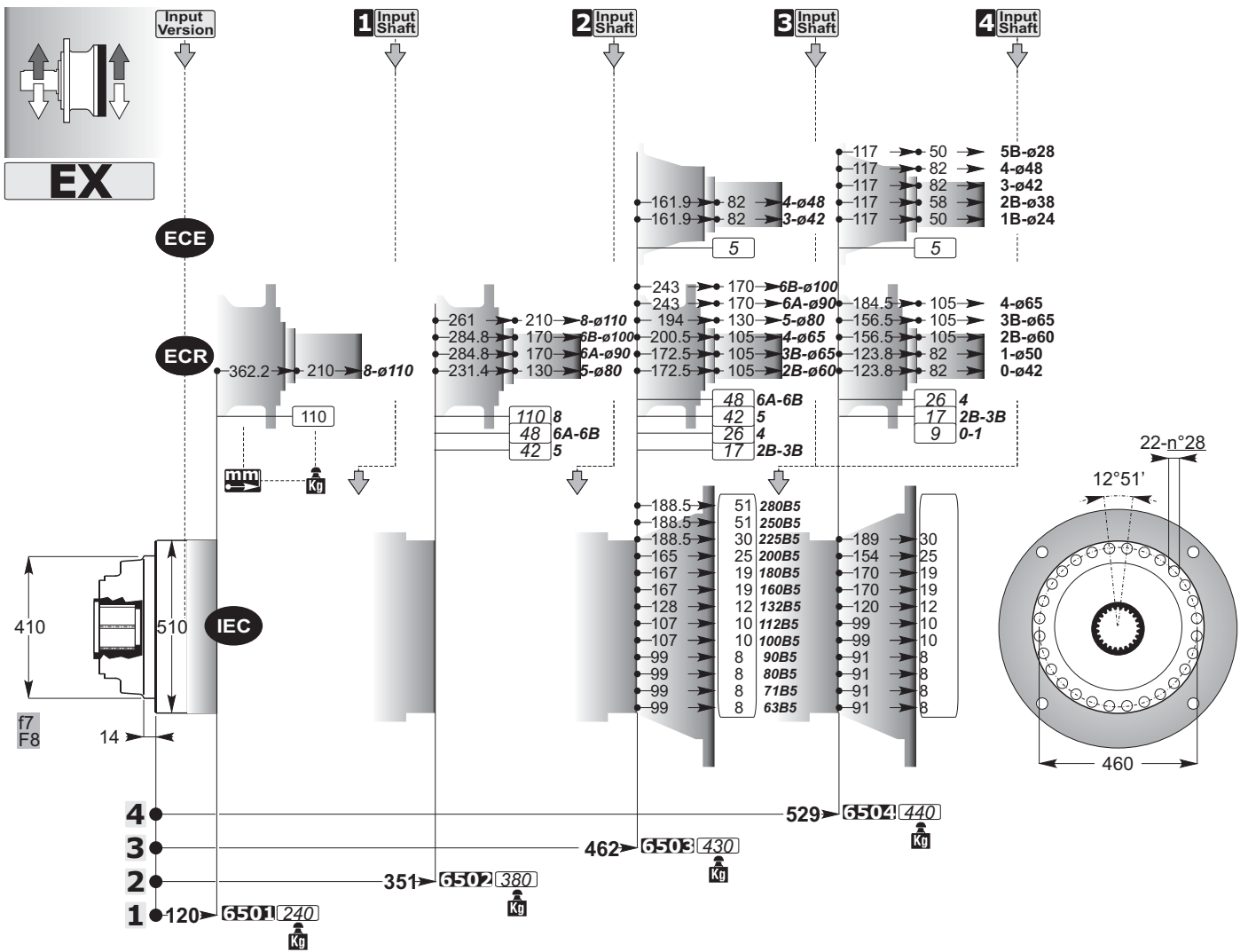
BD

24.5 Kg



Accessories

mm
C



ECE

3 Input Shaft

ECE 3 4

4 Input Shaft

ECE 1 2 3 4 5 B

Input Version

ECR

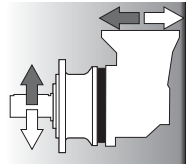
ECR 2 3 4 5 6 B A

ECR 0 1 2 3 4 B

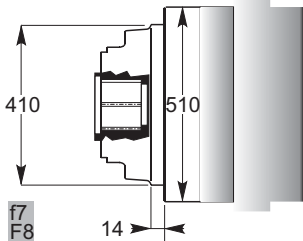
IEC

63B5 71B5 80B5 90B5 100B5 112B5 128B5 143B5 160B5 180B5 200B5 225B5 250B5 280B5

90B5 100B5 112B5 132B5 160B5 180B5 200B5 225B5



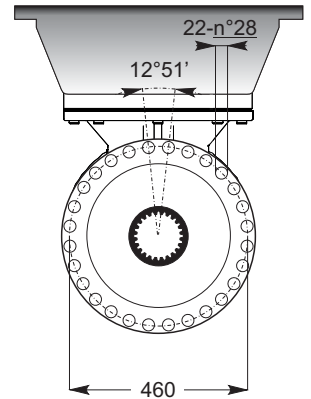
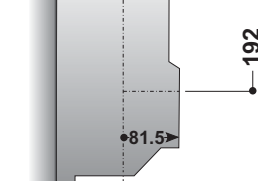
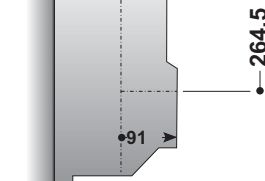
EXB



4
3

8 8 8 8 10 10 12 19 19 25 30 5 15 1

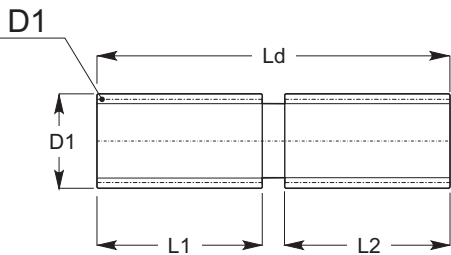
8 10 10 12 19 19 25 30



519.25 **6503 490**

588 **6504 476**

SD

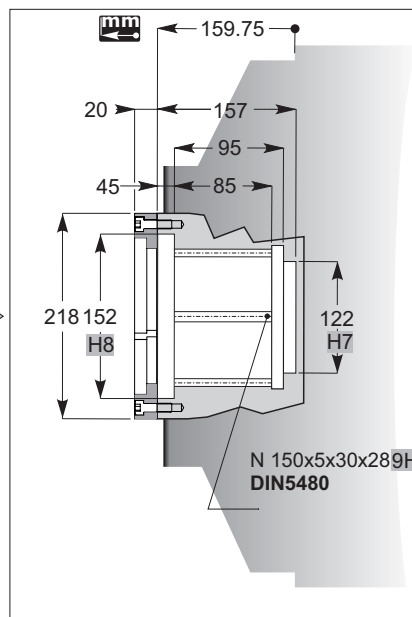
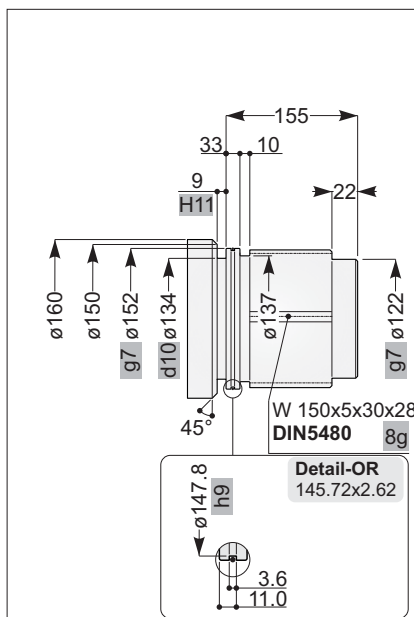
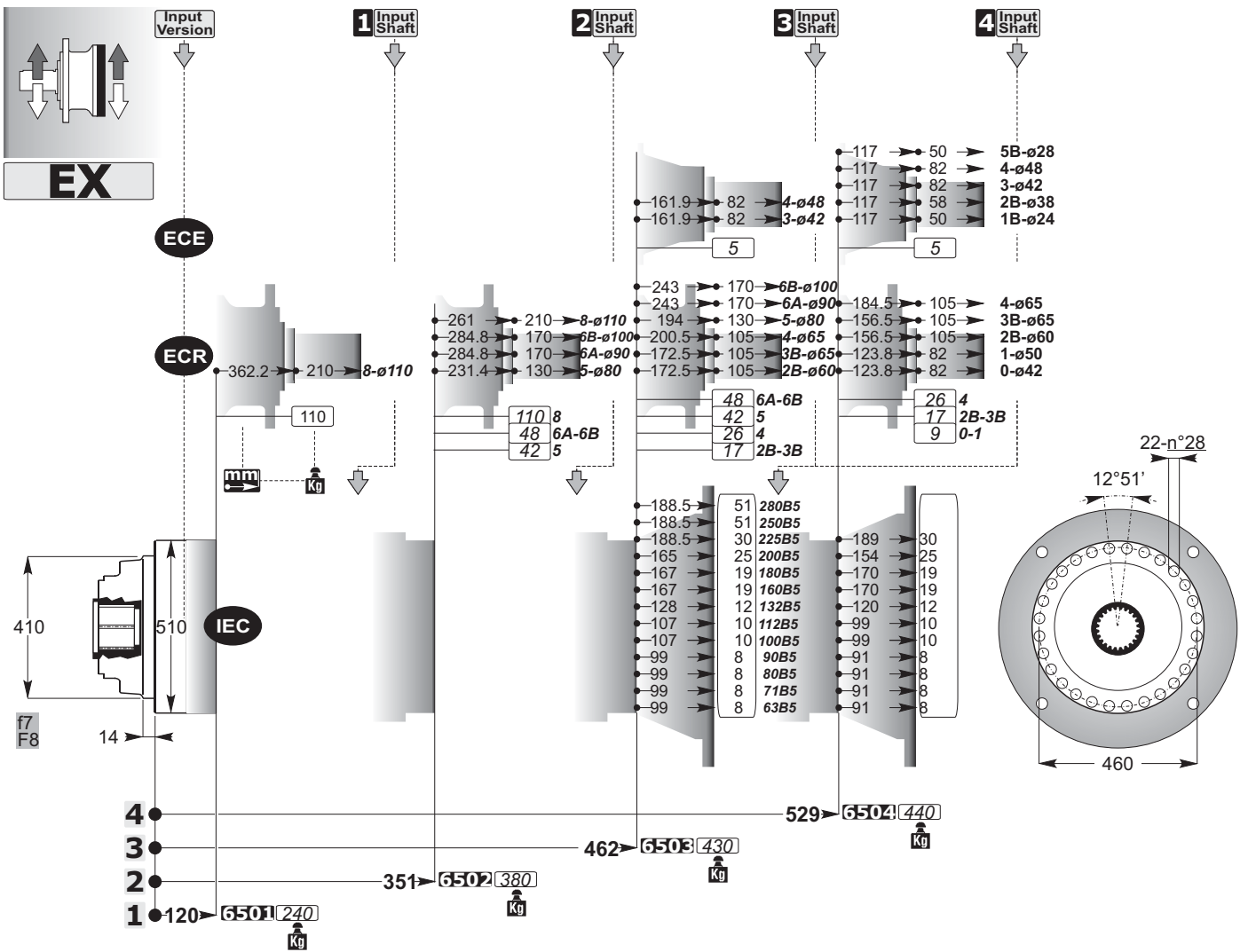


SD

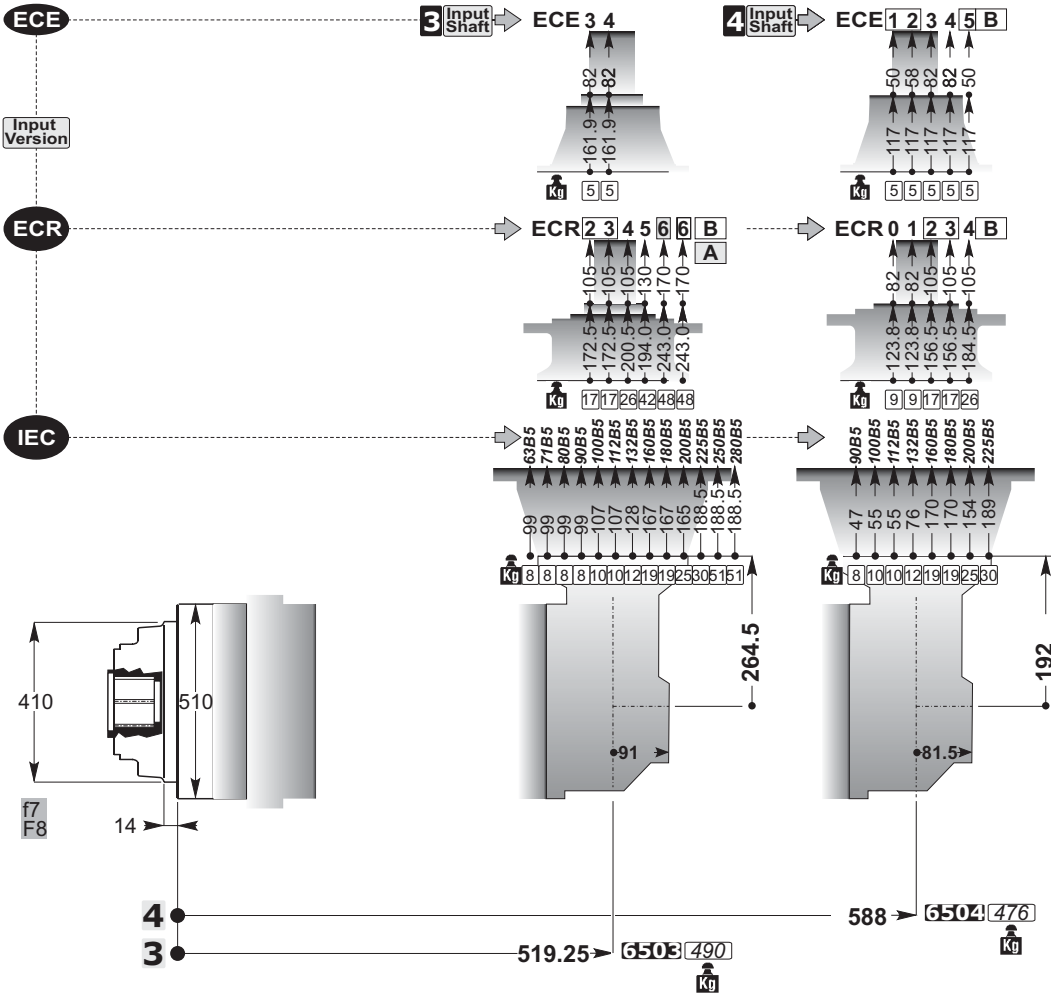


Accessories

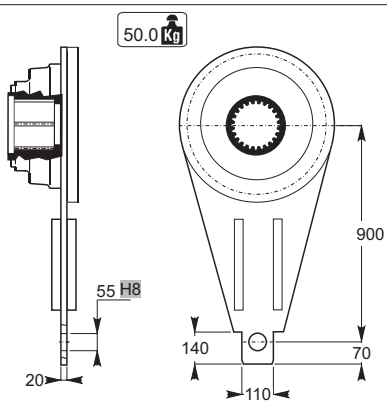
mm
C



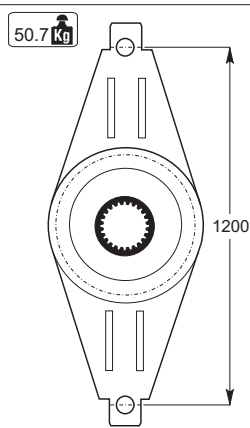
Output Shafts



BRS

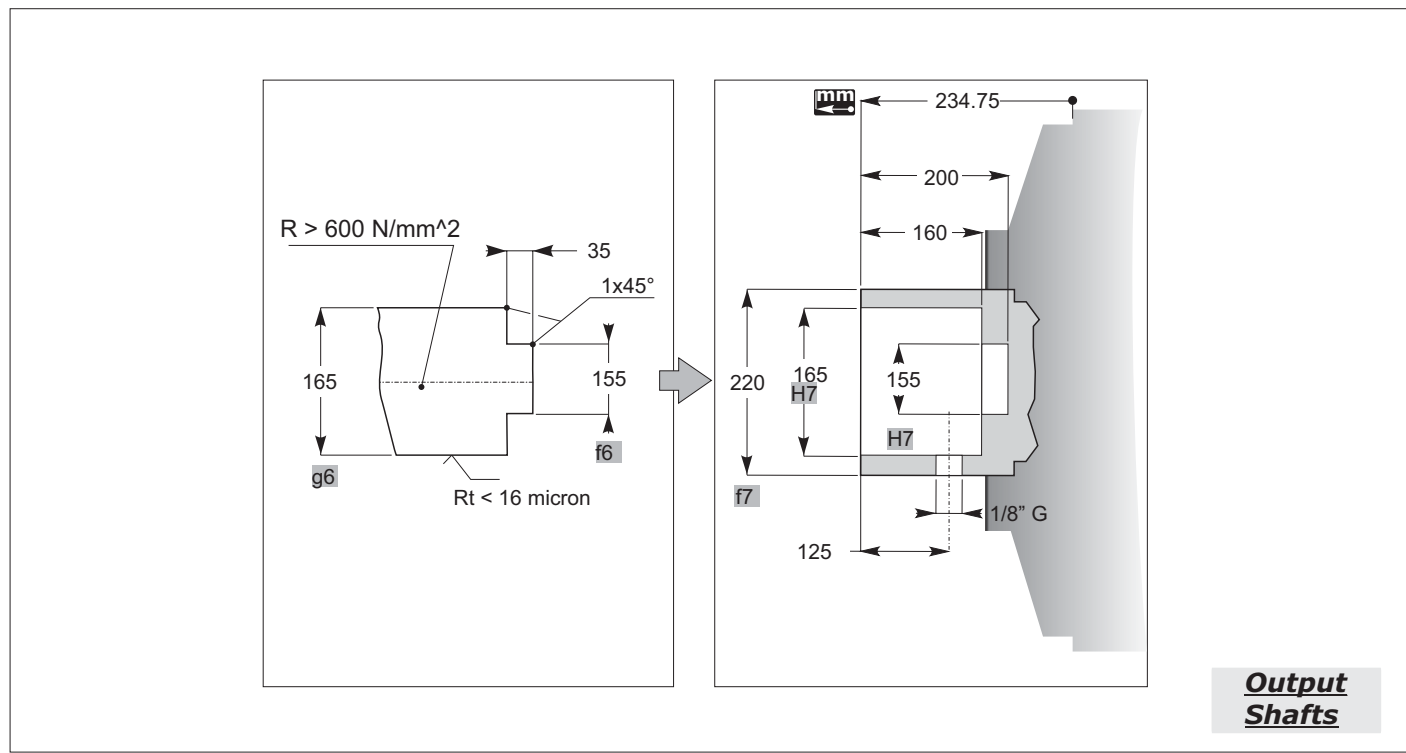
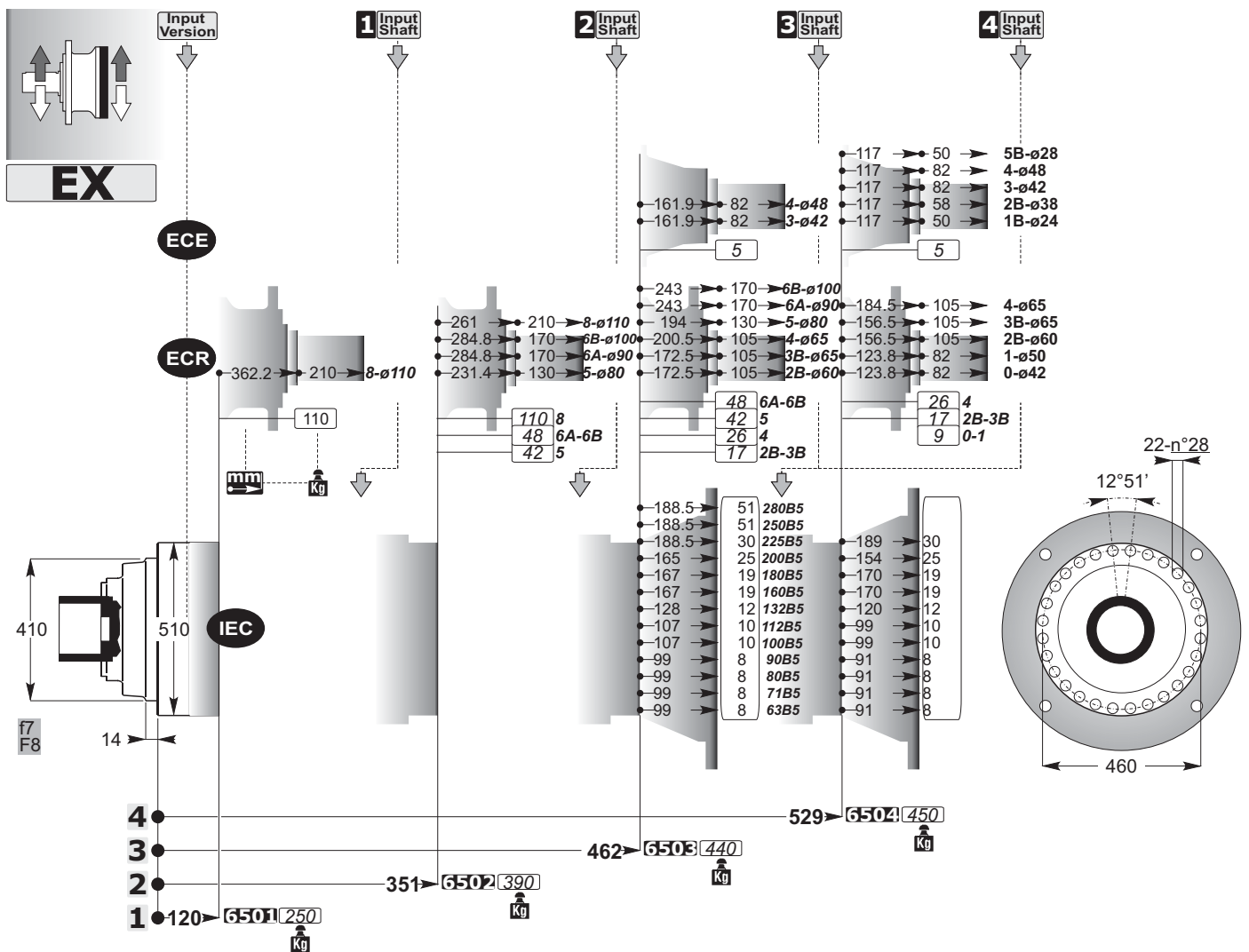


BRD

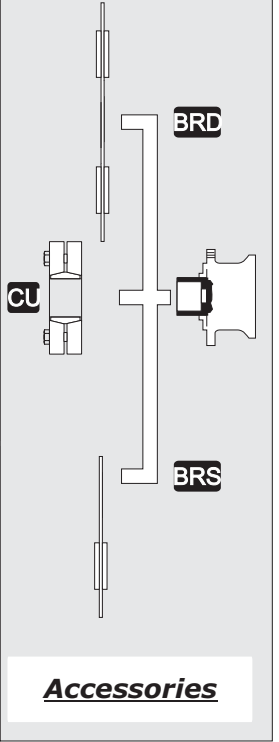
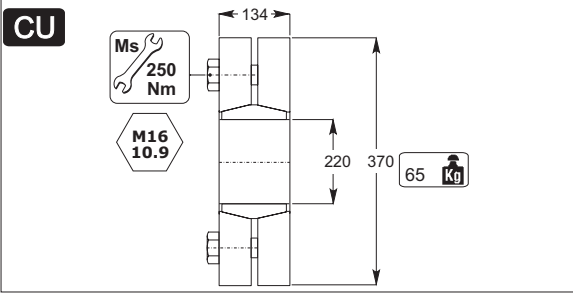
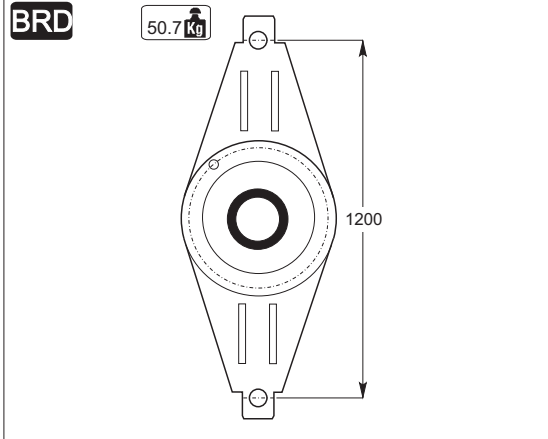
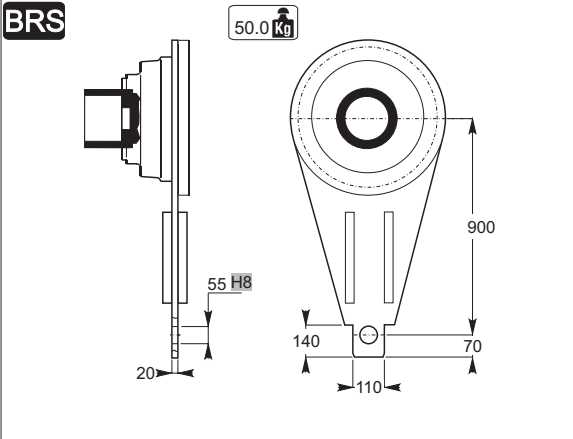
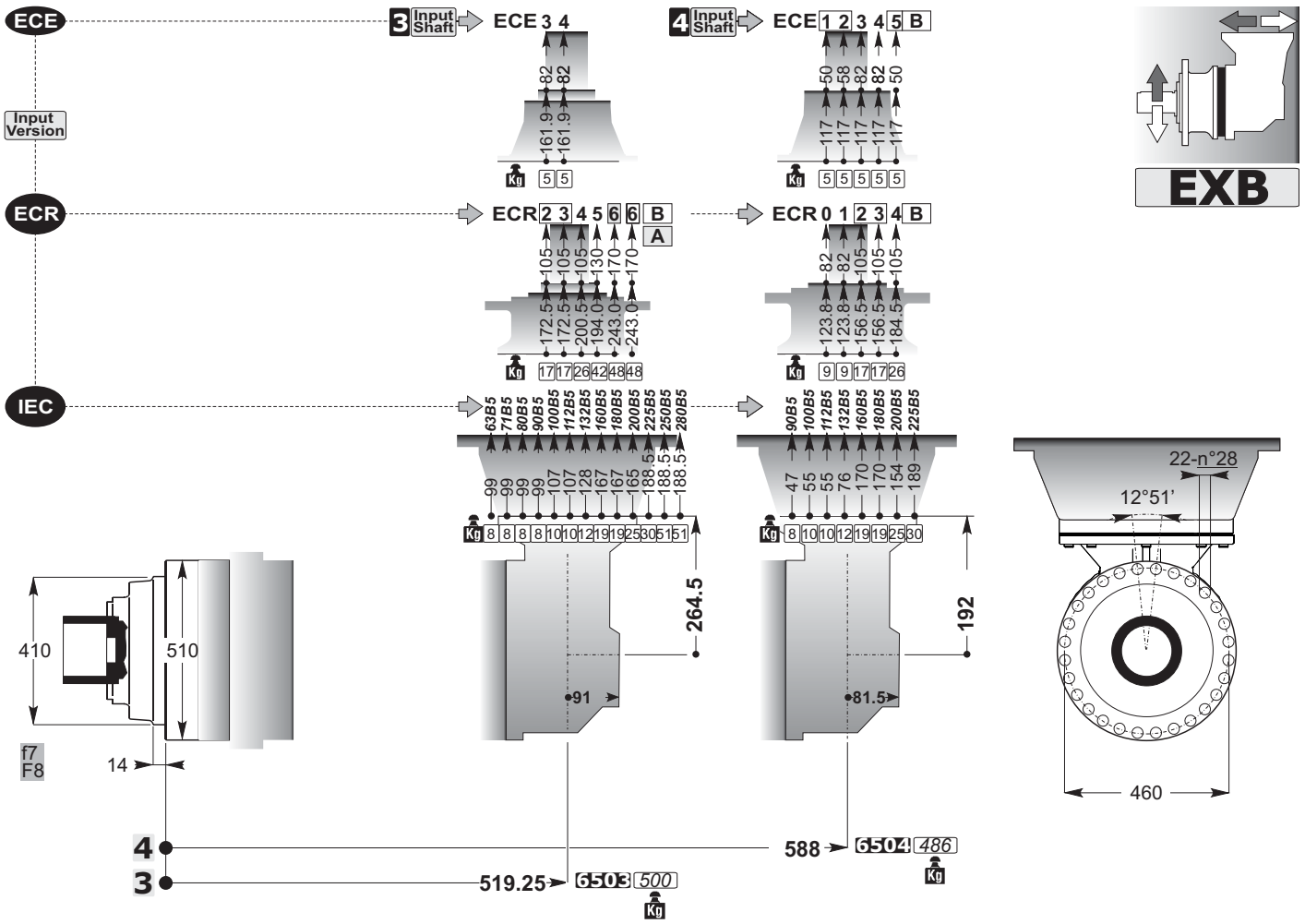


Accessories





Output Shafts



mm
C