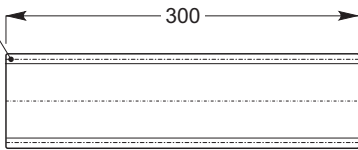


SD

25.1 kg

W 120x3x30x38
DIN5480

300

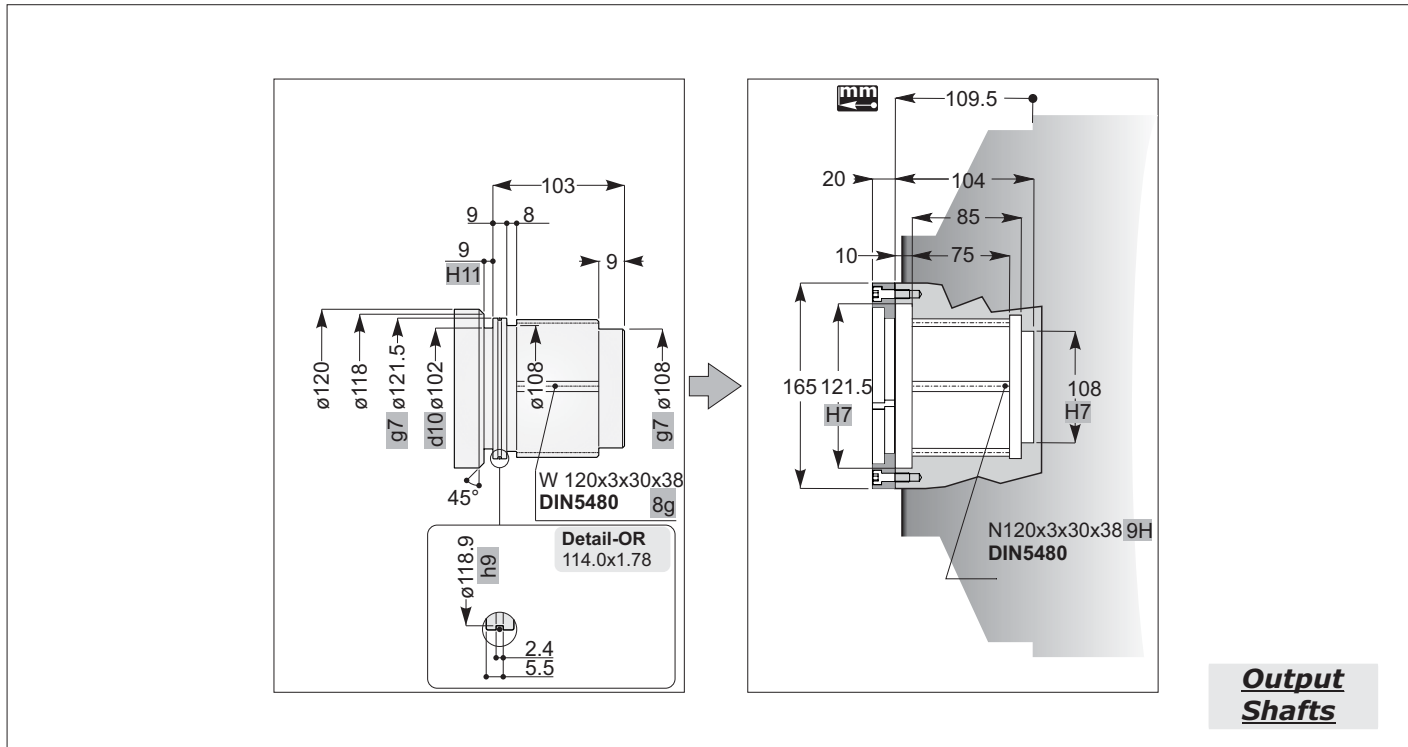
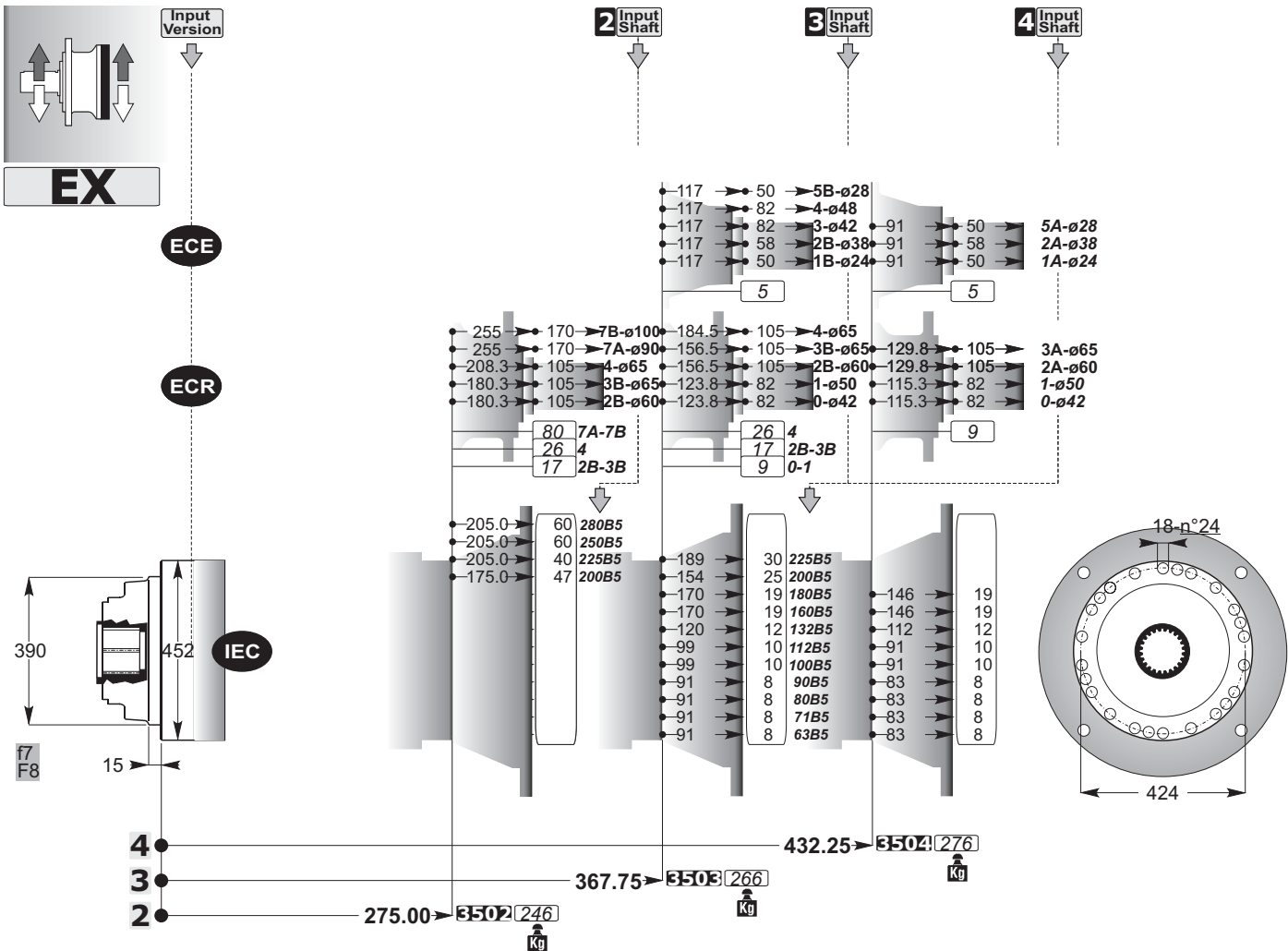


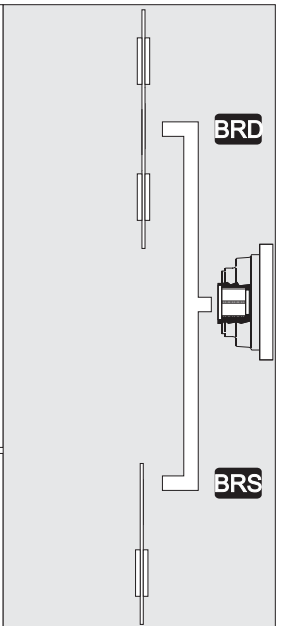
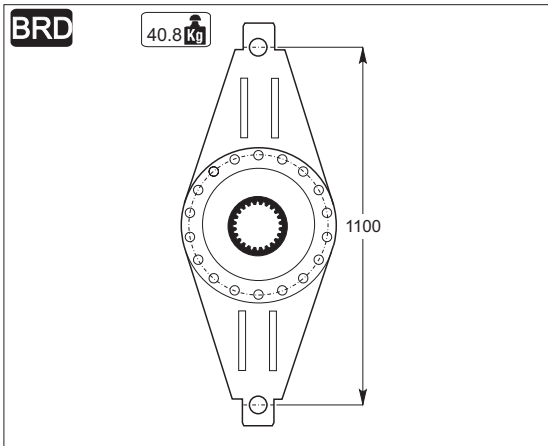
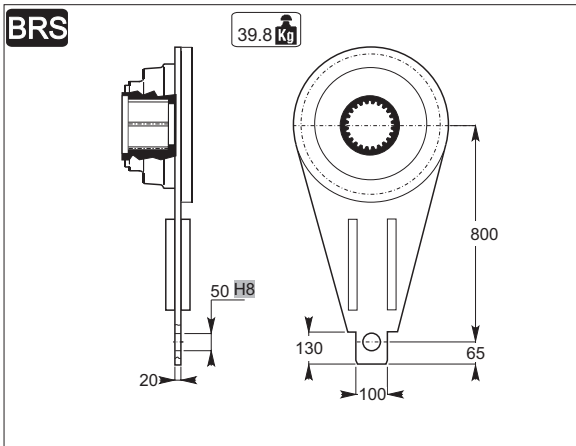
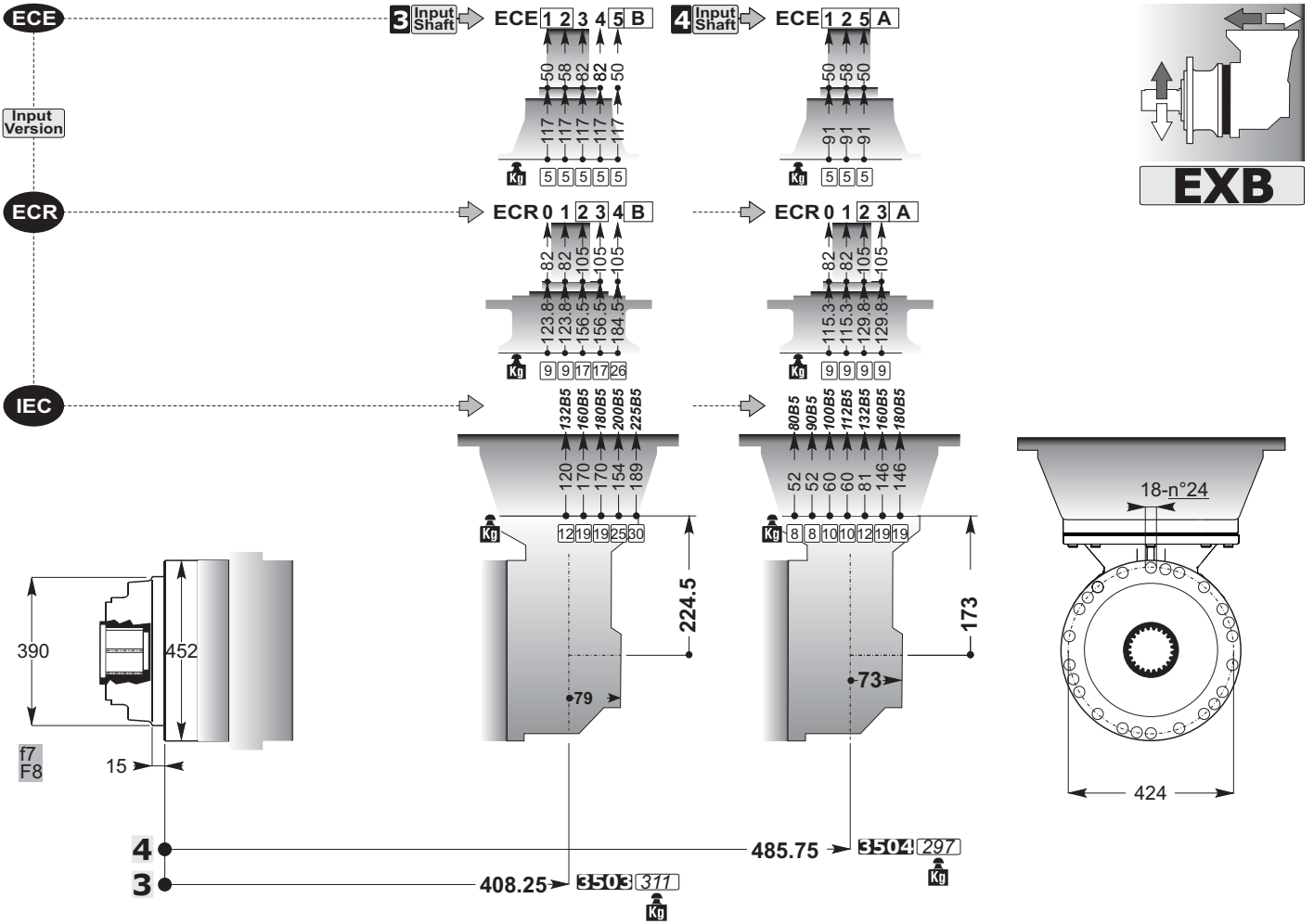
SD



Accessories

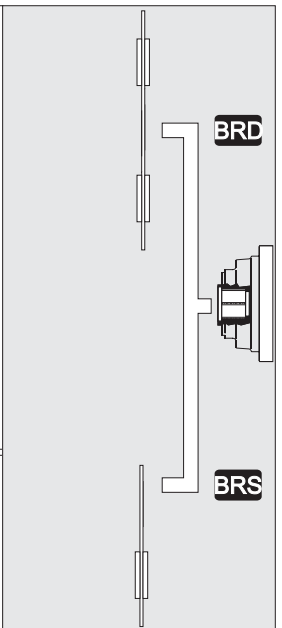
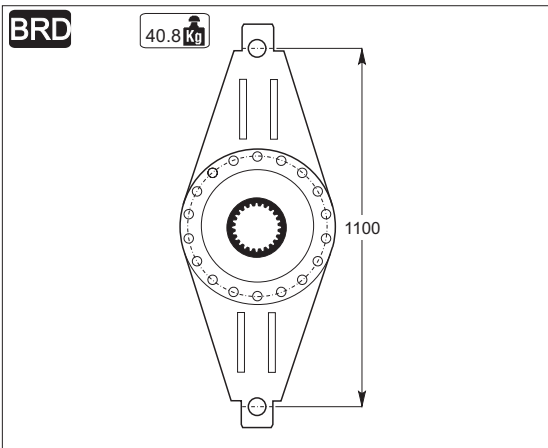
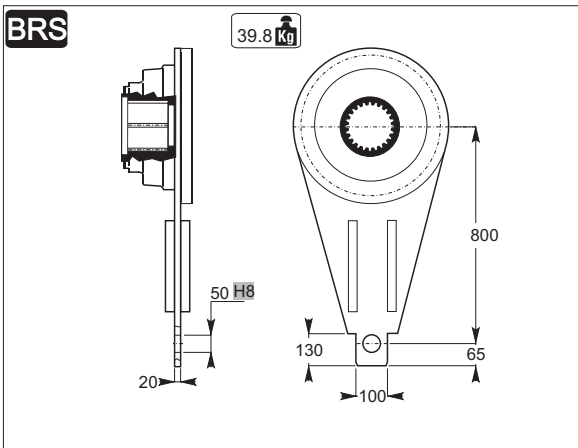
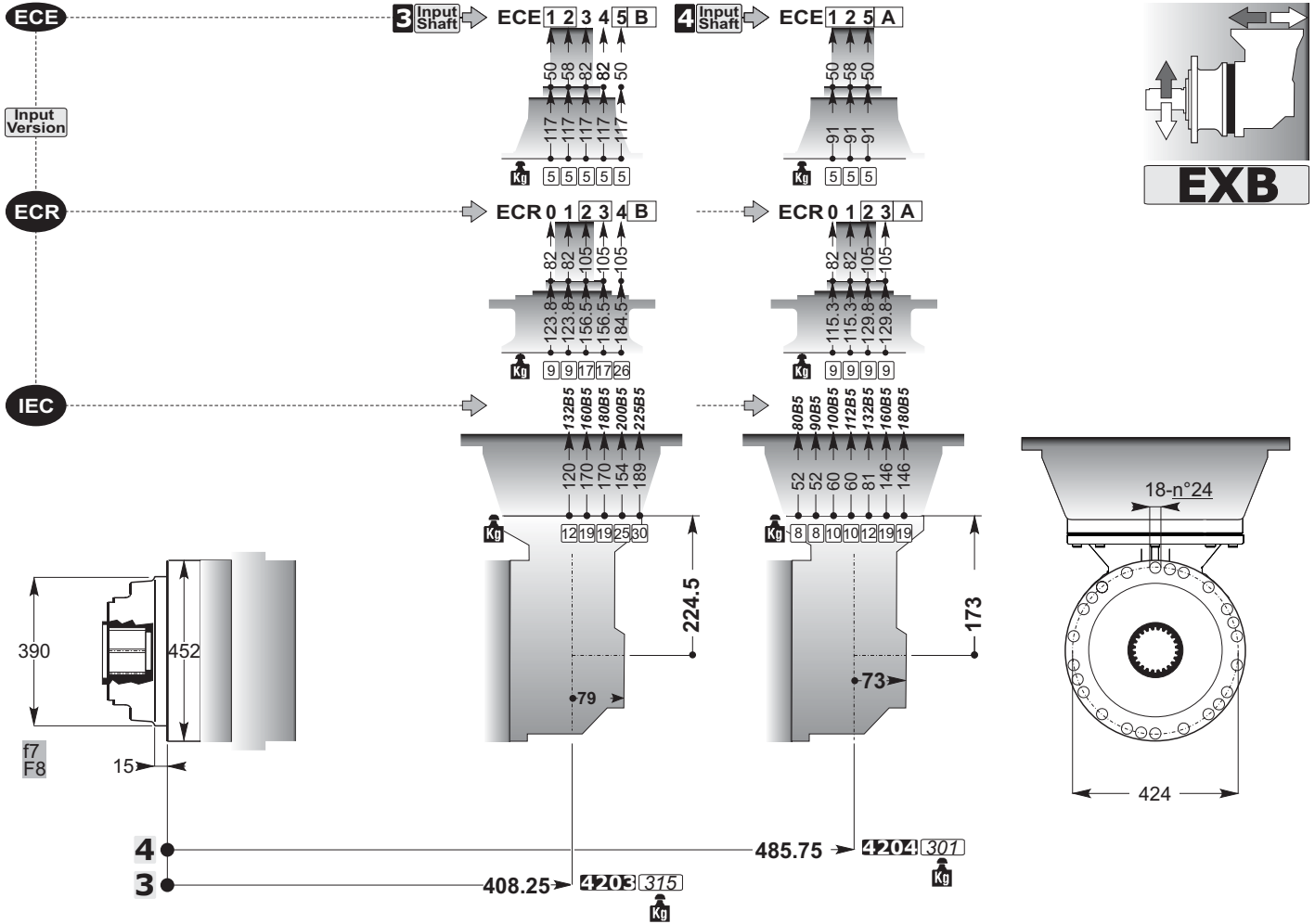
mm
C





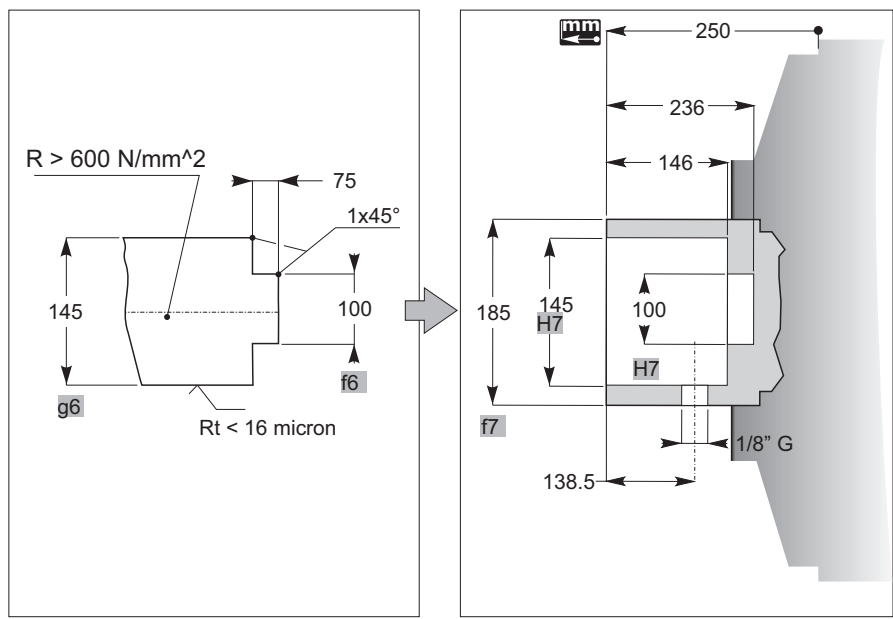
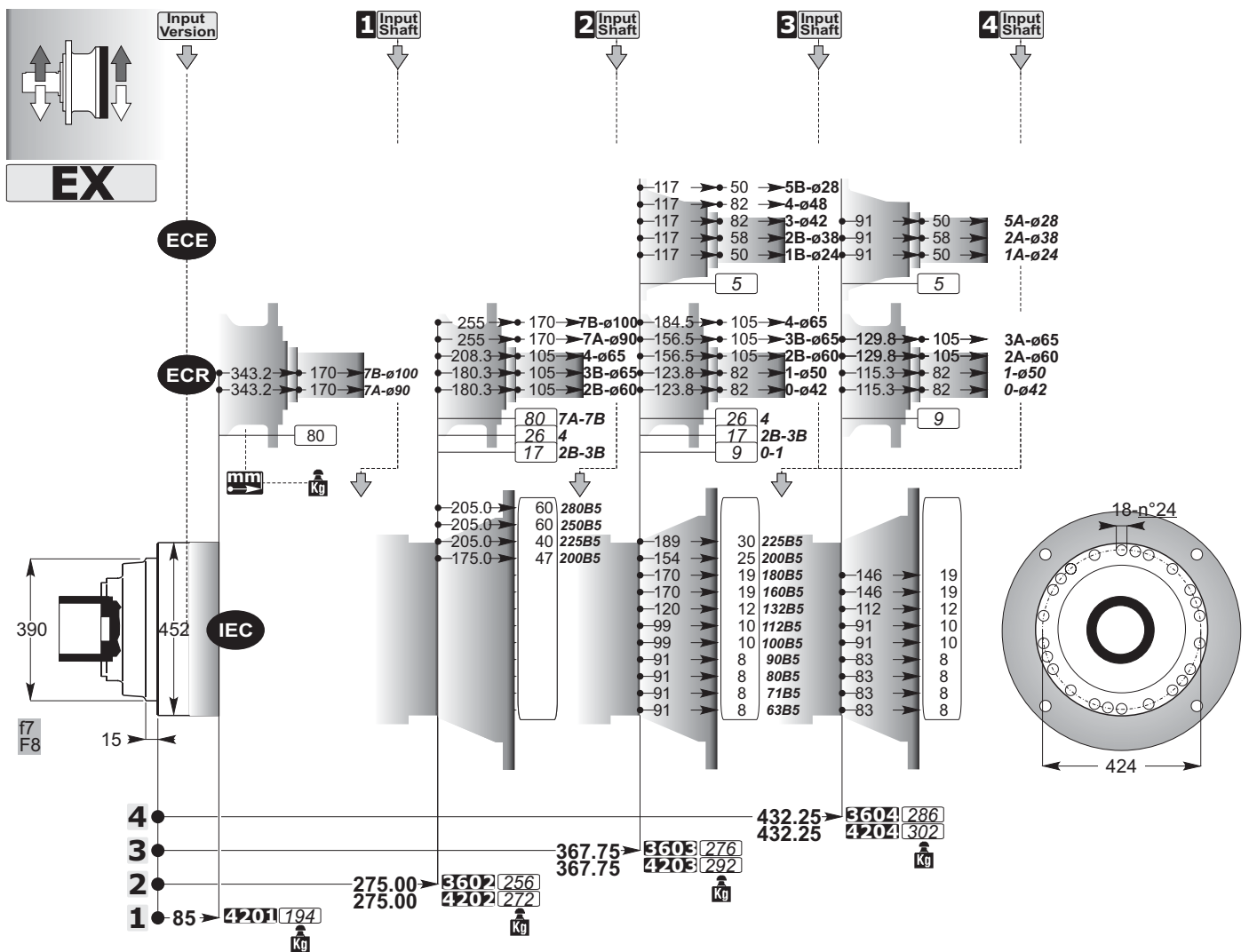
Accessories

mm
C



Accessories

mm
C



Output Shafts

