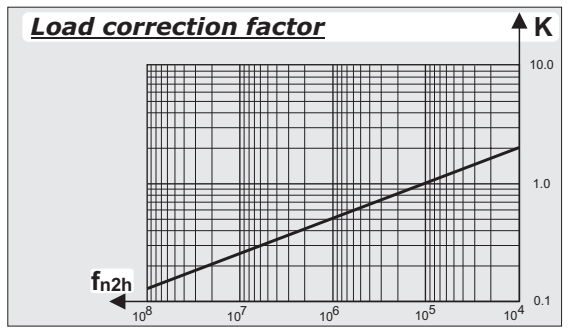
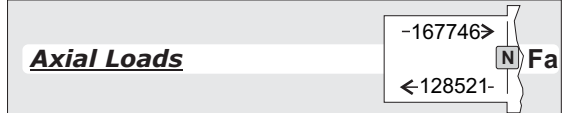
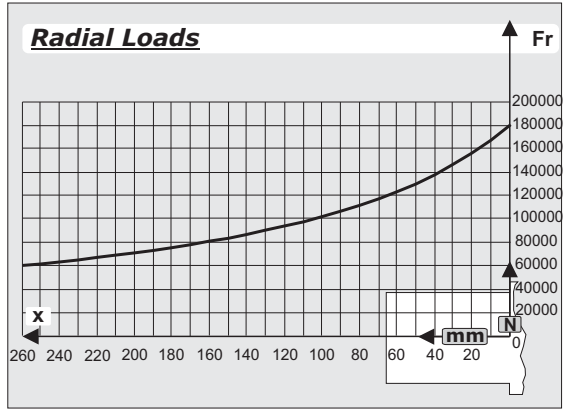
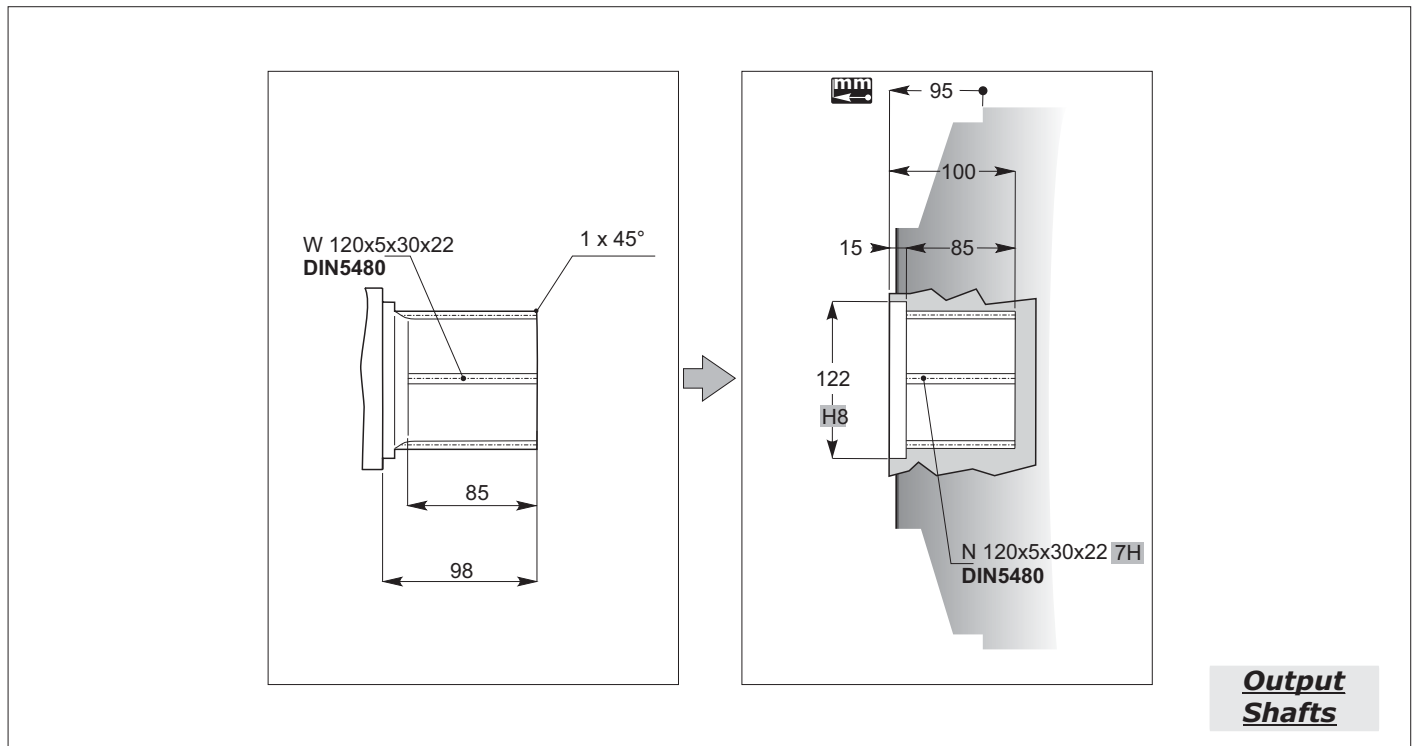
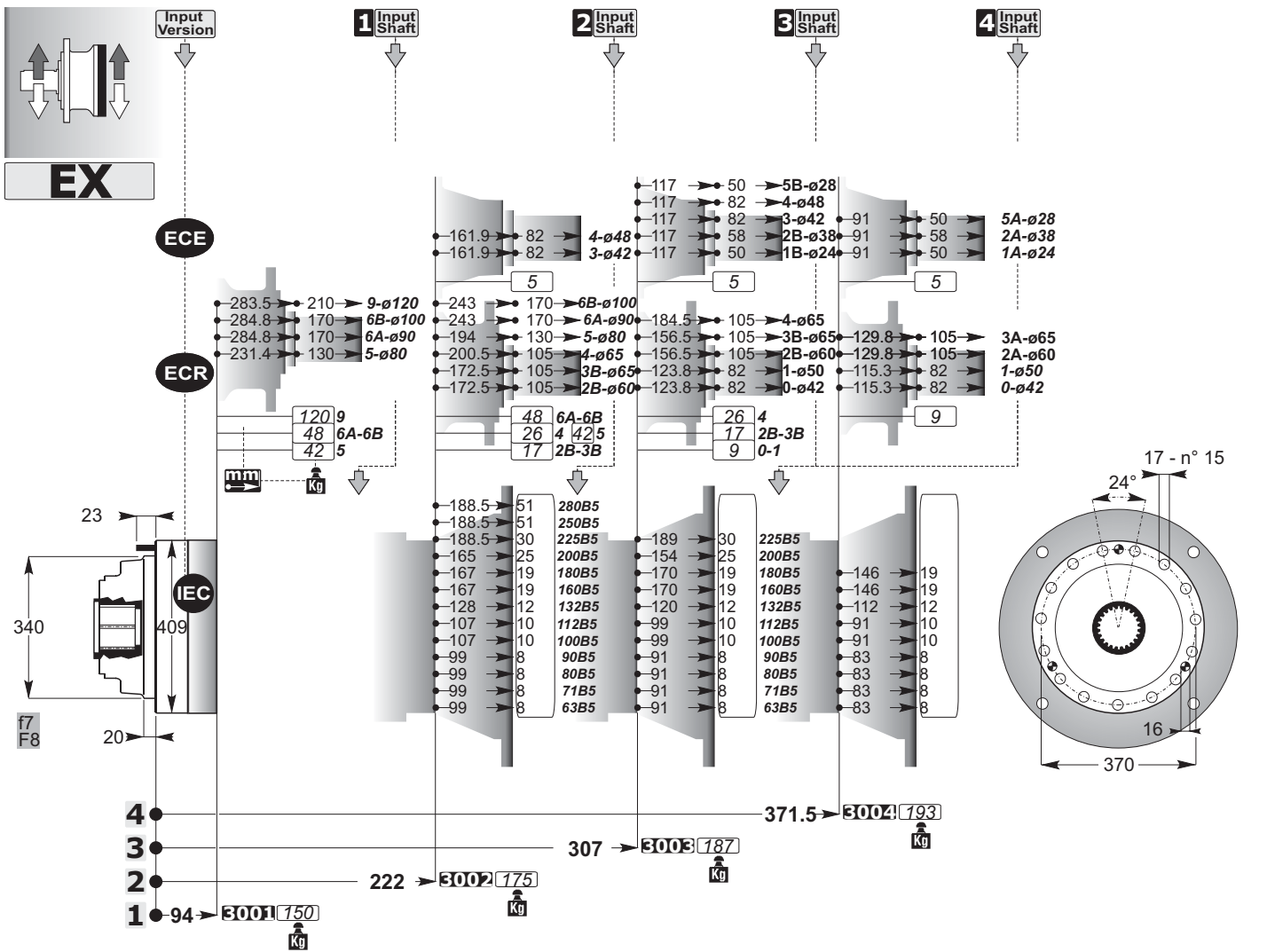
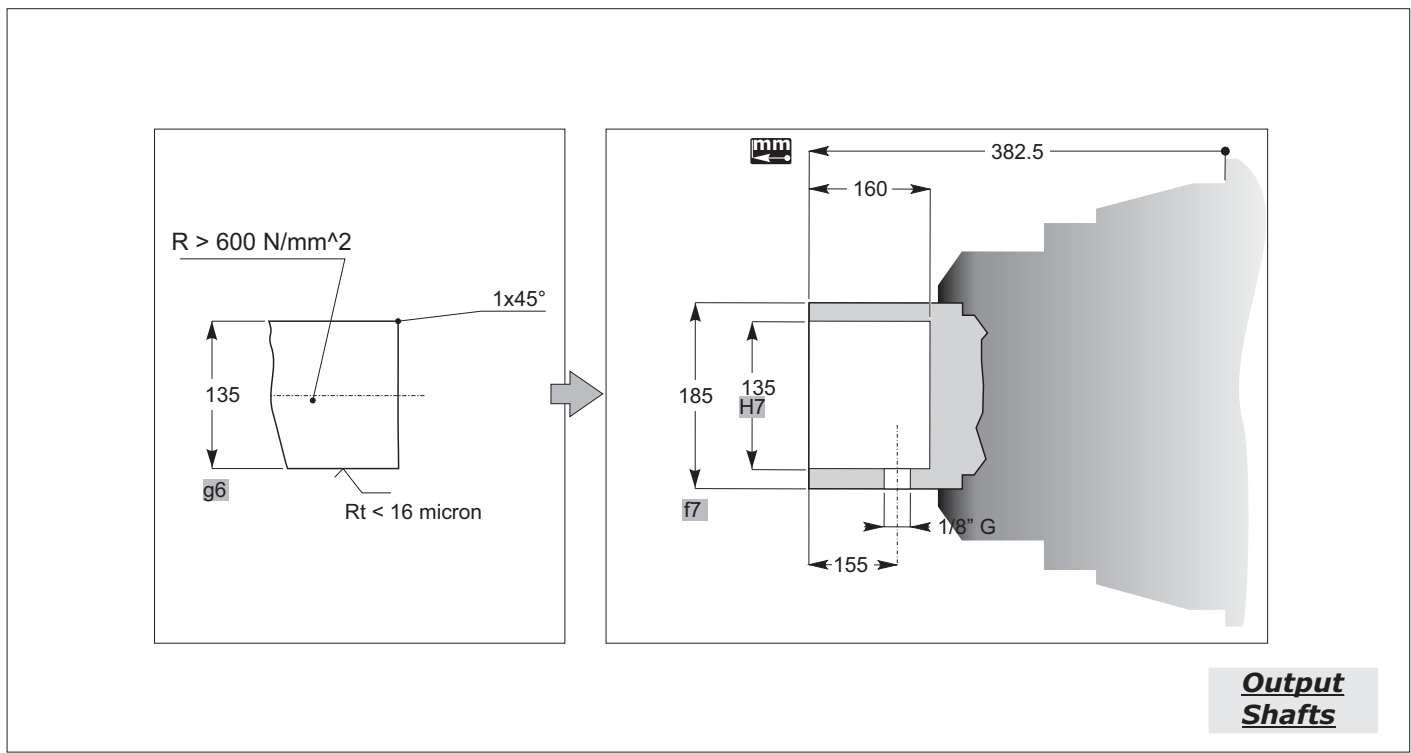
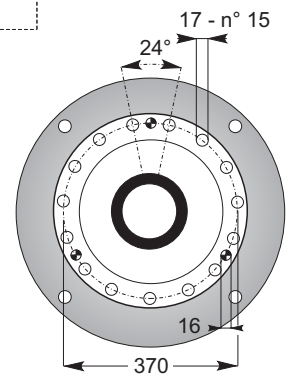
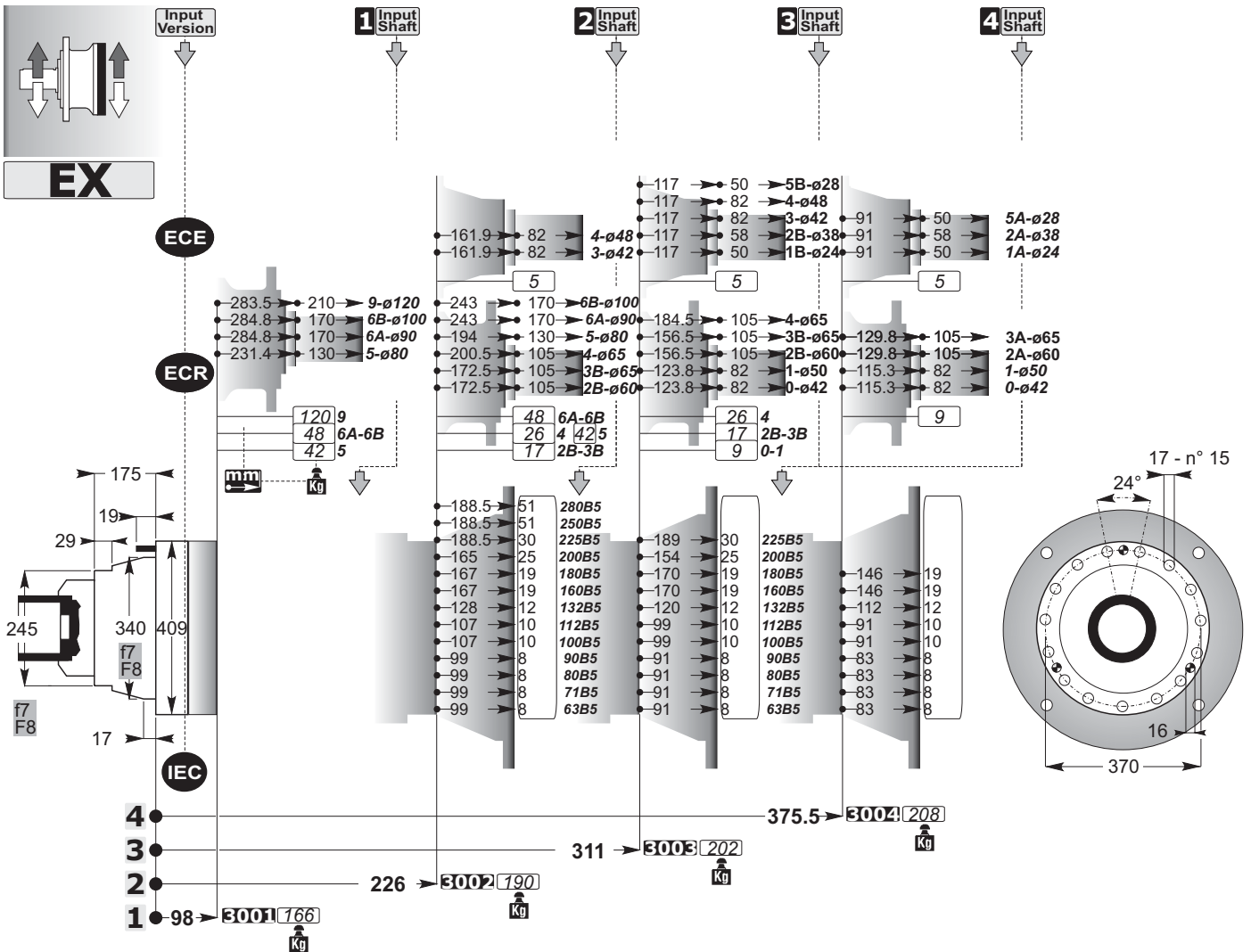
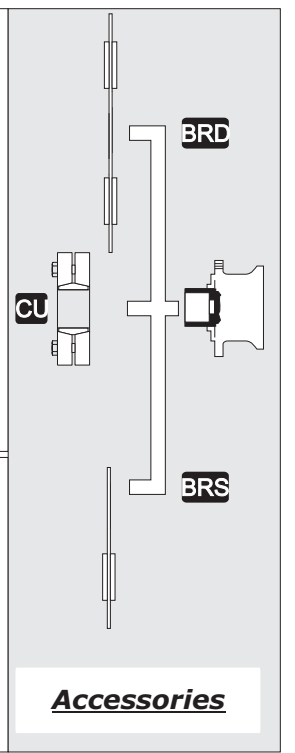
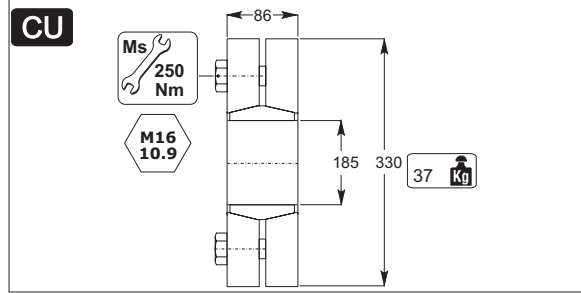
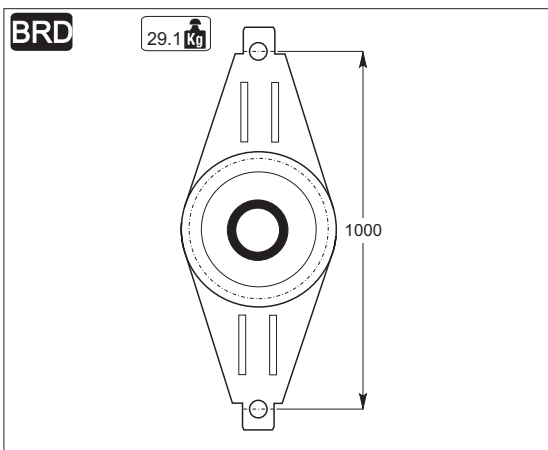
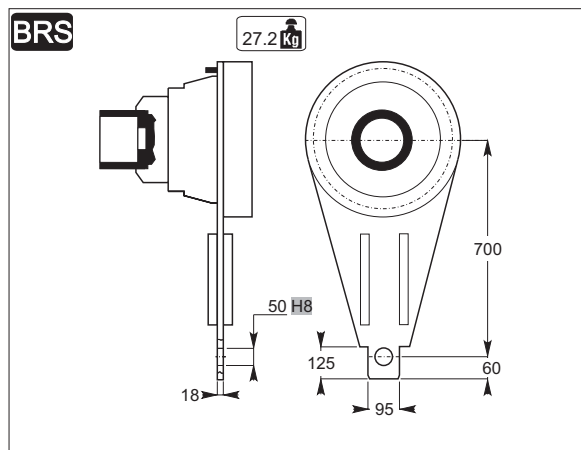
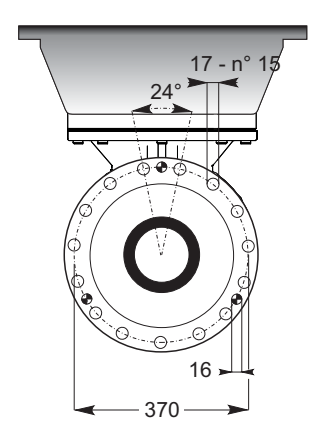
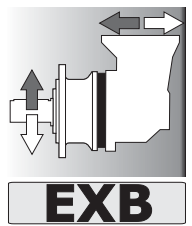
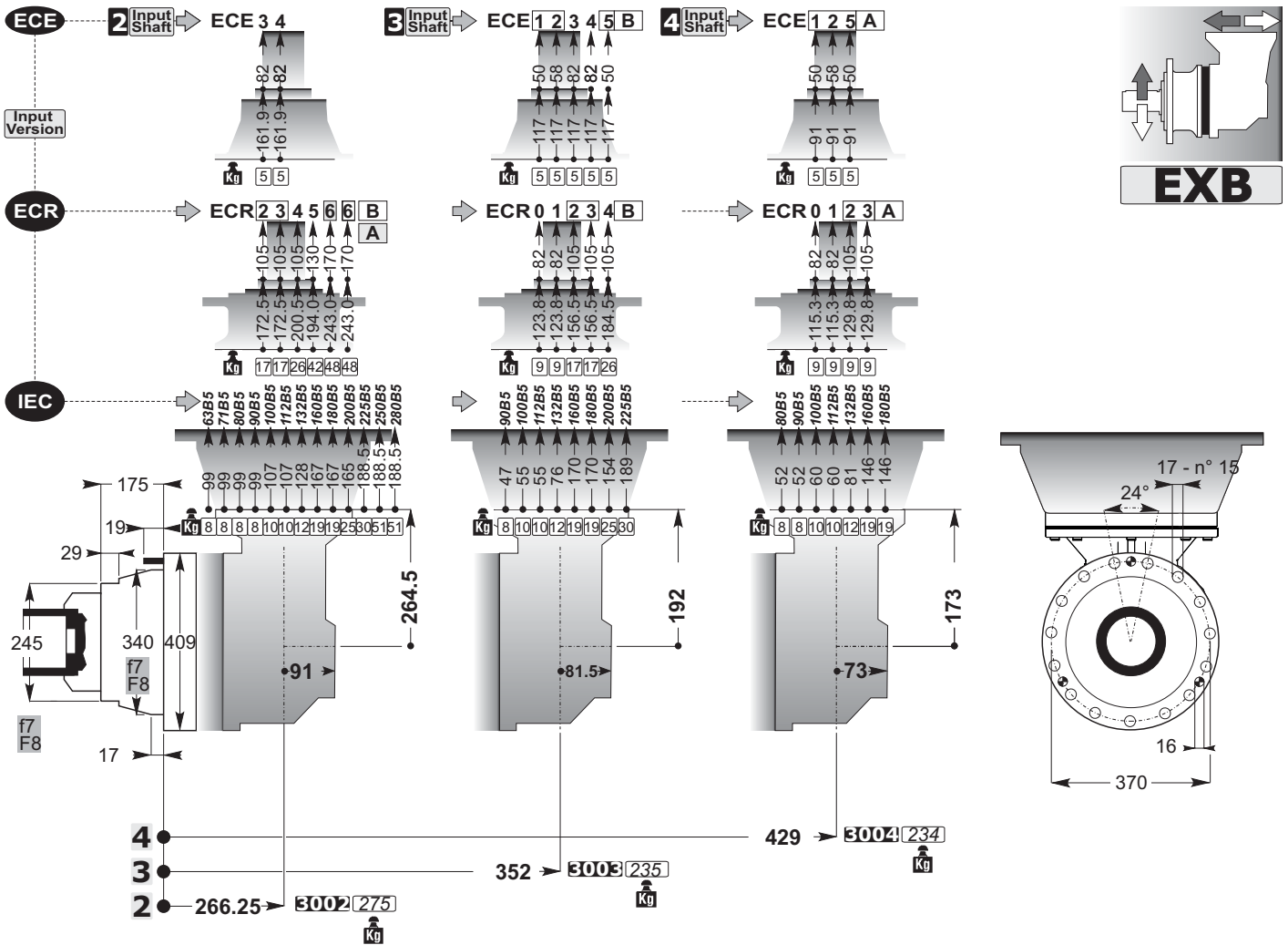


Output Shafts









mm
C

